

FOTILE

RANGE HOOD

User Manual | EMS6008-CR

Any needs, please contact FOTILE service center.
Some pictures in this manual are sketch map, only
for reference. If there are some discrepancies,
please subject to real object.

WWW.FOTILEGLOBAL.COM

Please read carefully about the user manual before using the
product. And keep it well after reading, for future reference.

Dear User, thank you for purchasing the FOTILE Range Hood. At FOTILE, we manufacture exquisite appliances that are expertly crafted with the finest materials. Before using the FOTILE Range Hood, please take some time to read through this Product Manual (manual). It will familiarize you with important safety, operation and maintenance instructions, as well as help maximize your culinary experience.

Before using the FOTILE Range Hood, you must follow the instructions, as specified in this manual. Any damage resulting from the improper operation and/or maintenance of the appliance may result in the loss of warranty. The warranty will become invalid, and your warranty application, whether direct or indirect, will not be accepted by authorized service center of FOTILE.

If you require warranty or post-warranty after-sale service, please contact the local authorized service center of FOTILE nearest you.

Your satisfaction with the FOTILE brand is important to us. Our after-sales service centers provide assistance in resolving issues with FOTILE appliances.

Product model and serial number are required if you need services.

Table of Contents

Safety Instructions	02
Use and Care	07
Product Specifications	07
Operation Guidance	07
Care and Clean	09
Identification and Troubleshooting of Common Faults	12
Customer Services	13
Installation Guidance	14
Safety Instructions	14
Tools and Accessories	17
Installation Guidance	19
CFM Adjustment Technology	24
Explosive View	26

Safety Instructions

To ensure the safe and efficient use of your FOTILE product, please note the highlighted information in the product manual as follows:

- * **Warning:** Indicating a risk of serious bodily injury or death if precautions are not observed.
- * **Notice:** Indicating possible minor personal injury or product damage if instructions are not followed.
- * **Important:** Emphasizing information of critical importance.

Safety Instructions

Please be sure to read these safety instructions before using the product.

Please be sure to properly keep these safety instructions.

This product is for indoor use only.

To avoid any accidental risks and damage to the range hood, please read this product manual carefully before the installation and use. Only in this way can you operate this product safely and correctly and reduce the risks of fire, electric shock, personal injury, etc. Please properly keep this product manual for future use or for subsequent users.

Warning

● Risk of Electric Shock

A defective appliance may cause electric shock. Never switch on a defective appliance. Unplug the appliance from the mains or switch off the circuit breaker in the fuse box in case of problems, and contact our authorized service center.

- The range hood should be connected to a standard power socket with safe grounding. Midway connection, prolonged electric line or multi-socket wiring may cause electric shock, overheating and, in some cases, result in a fire. Installation of the range hood should be performed by professional electricians in strict accordance with electricity standards and regulations of the local area. Before connecting the rod, turn off the power source and take appropriate measures to prevent auto closing of the power switch.
- In order to prevent electric shock and/or other bodily injuries to persons, do not exceed 125V AC input.
- Do not install the range hood in a bathroom and/or a humid area, as this will significantly increase the risk of electric shock.
- If a wire is damaged or defective, contact an authorized service provider or a qualified technician (provided by FOTILE) to replace the wire.
- Do not change, stretch, knot, pressure or squeeze the wire as any resulting damage can result in electrical and/or fire hazards.
- Prevent water from coming into contact with the range hood's electrical components, such as the motor, switch and connector. Do not rinse the appliance with water. Do not use the appliance if it is

wet, as electric leakage and/ or electric shock may occur.

- Do not attempt to change the range hood's internal wiring system. Improper modifications and/or repairs to the internal wiring can result in bodily injuries to persons, electric shock and/or a fire.
 - In order to avoid electric shock, remember to turn off the appliance's power source before installation, cleaning and/or maintenance service.
 - Avoid using high-pressure detergents and/or steam cleaners on the appliance, as they may result in electric shock.
 - Do not touch the plug or switch with wet hands, as an electric shock may occur.
- #### ● Grounding Instructions
- This appliance must be grounded. In the event of an electrical short circuit, grounding reduces the risk of electric shock by providing an escape wire for the electric current. This appliance is equipped with a cord having a grounding wire with a grounding plug. The plug must be plugged into an outlet that is properly installed and grounded.
 - Improper grounding can result in electric shock.
 - Consult a qualified electrician if the grounding instructions are not completely understood, or if doubt exists as to whether the appliance is properly grounded.
 - Do not use an extension cord. If the power supply cord is too short, have a qualified electrician install an outlet near the appliance.

● Risk of Fire

- In order to reduce the risk of fire and to properly exhaust air, we recommend duct the air outside. Do not vent exhaust air into spaces within walls, ceilings, attics, crawl spaces and/ or garages.
- In order to prevent the risk of fire, the range hood should be operated and maintained in accordance to the instructions.
- Hot oils may ignite and burn quickly. Never leave hot oils unattended.
- Clean the hood's oil cup at regular intervals, as leftover grease deposits may ignite.
- Never operate the range hood without the filter.
- Never work with naked flames close to the appliance. Do not install the appliance near a heat-producing appliance for solid fuel (e.g. wood or coal) .There must be no flying sparks.
- Avoid cooking with food products that produce flames under the range hood.
- To Reduce Risk of Cooktop Grease Fire:
 1. Never leave the burners work unattended. Overflowing cause smoking and greasy spillovers that may ignite. Heat oils slowly on low or medium settings.
 2. Always turn the hood on during cooking.
 3. Cooking grease may stick on the surface of the kitchen floor, cabinet, vent duct, etc. Better clean regularly to avoid fire risk.
 4. Use proper pan size. Always use cookware appropriate for the size of the pan support.
- To Reduce the Risk of Injury to persons in the event of cooktop fire, observe the following:
 1. Smother flames with lid, cookie sheet,

or metal tray, then turn off the burner. Be careful to prevent burns. If the flames do not go out immediately, evacuate and call the fire department.

2. When the cooking utensil catches fire, switch off the range hood immediately. Effective extinguishing measures must be taken at once, such as covering the open flame with metal cover, turning off the master gas valve and keeping flammable substance from the open flame etc.
3. Never pick up a flaming pan—you may be burned.
4. Do not use water, including wet dishcloths or towels—a violent steam explosion will result.

■ Use an Extinguisher Only If:

1. You know you have a class ABC extinguisher and you already know how to operate it.
2. The fire is small and contained in the area where it started.
3. The fire department is being called.
4. You can fight the fire with your back to an exit.

● Risk of Injury

- This appliance is not intended for use by persons (including children) with reduced physical, sensory or mental capabilities, or lack of experience and knowledge, unless they have been given supervision or instruction concerning use of the appliance by a person responsible for their safety. Children should be supervised to ensure that they do not play with the appliance.
- The range hood may have sharp edges. Be careful to avoid cuts and abrasions during installation and cleaning. Do wear qualified protective gloves.

■ The accessible parts become very hot when in operation. Never touch hot parts. Keep children at a safe distance.

■ Do not touch lights during or soon after operation. Burns may occur.

■ Do not insert your limbs and/or foreign objects into the impeller while the range hood is in operation, as that action might cause injury.

■ This appliance is not intended for operation with an external clock timer or a remote control.

■ Incorrect repairs are dangerous. Repairs may only be carried out and damaged power cables replaced by one of our trained aftersales technicians.

■ If any abnormalities and/or defects occur while operating the range hood, immediately turn off the appliance and unplug the appliance from the mains or switch off the circuit breaker in the fuse box. Then, contact our authorized service center. Abnormal operation and defects may cause hazardous situations, such as electric shocks and fires.

■ This product contains chemicals known to the State of California to cause cancer, and birth defects or other reproductive harm. For more information, please go to: www.P65Warnings.ca.gov

● Risk of Suffocation

■ Packaging material is dangerous to children. Never allow children to play with packaging material, which may cause suffocation. Keep all packing material out of proximity to children. Please remember that packaging materials should not be treated as toys.

● Risk of Death

■ Risk of poisoning from flue gases that are drawn back in. Always ensure adequate fresh air in the room if the appliance is

being operated in exhaust air mode at the same time as room air-dependent heat-producing appliance is being operated. Exhaust gases through the flue (chimney) of fuel burning equipment to prevent back drafting. FOTILE is not responsible for injuries caused by improper and/or incorrect operation of the range hood.

Notice 

- When applicable local regulations comprise more restrictive installation and/or certification requirements, the aforementioned requirements will prevail, and installation personnel must conform to these requirements.
- The operating temperature of the range hood should not exceed 104 °F (40°C).
- Please do not place anything on top of the product. Anything placed on top may fall off or incline. For example, if you place seasoning bottles on top, the inclination may cause liquid to flow inside the product, resulting in damaged electrified components and therefore unnecessary risks. Our company will not bear the responsibility for free repair in case of product damage due to the above reason.
- Clean the oil cup frequently to prevent overflow. The resulting grease is inedible! Please do not place flammable materials in the oil cup, such as plastic wrap, paper towels, etc.
- When cutting or drilling into the wall or ceiling, be careful not to damage electrical wiring, water pipes, gas lines, or other hidden utilities.
- Adhere to the heating equipment manufacturer's guidelines and safety standards, such as those published by the National Fire Protection Association (NFPA), the American Society for Heating, Refrigeration and Air Conditioning Engineers (ASHRAE) and the local code authorities. Meanwhile, conform to the

safety standards issued by such administrative departments as fire department.

- When gas burners are in operation without any cookware placed on them, they can build up a lot of heat. A ventilation appliance installed above the cooker may become damaged or catch fire. Only operate the gas burners with cookware on them.
- Adhere to the voltage and frequency settings listed in this manual to avoid possible damages to the range hood.
- Please use standard accessories provided by our company to prevent the range hood from falling down accidentally. The hole drilled in the wall should precisely match the size of the expansion pipe, otherwise, the range hood may loose and fall down.
- Tempered glass is applied to the products of the company and the tempering treatment of the glass determines the extremely little possibility of spontaneous explosion. If the occurrence of spontaneous explosion is not due to improper use, our company promises free replacement of the accessories. The possibility of tempered glass breaking can be significantly increased in the following situations, which should be avoided: For instance, hitting the glass, especially the corners of the glass, with cooking utensils or other hard objects; The glass is impacted when you open a cabinet door around the Range Hood; Put the glass in an extremely hot or cold environment or an environment where heat and cold are excessively alternated.
- Unauthorized modification of this product can lead to risks.

Important

- This appliance is intended for indoor home cooking only; it cannot be used for outdoor cooking. Please use this product only according to the manufacturer's instructions. FOTILE assumes no responsibility if you use it in special environment. Please contact a FOTILE authorized service center if you encounter any problem.
- Check the appliance for damage after unpacking it. If you detect any obvious damage to the product, do not proceed with the installation. Please contact our authorized service center immediately.
- Avoid placing gypsum powder, construction dust, etc. within close proximity of the range hood.
- Operate the range hood only in the manner outlined in this product manual. When operating the range hood, do not leave the appliance unattended. If you have any questions and/or concerns, please contact our authorized service center.
- Operate, clean and maintain the range hood in accordance to the instructions outlined in this manual.
- Clean the metal grease filter according to the instructions.
- The range hood's motor has a thermal overload function, which automatically turns off the motor when it overheats. Once the motor cools down, the range hood will automatically restart. If the motor, continually turns off and restarts, please contact our authorized service center.
- If the range hood has not been in operation for an extended period of time, unplug the appliance.
- Please make sure correct installation and maintenance of the appliance. Installation work and electrical wiring must be done by qualified person(s), in accordance with all applicable codes and standards, including fire-rated construction codes and standards. The installation personnel should be responsible for normal operation of the appliance at the installed position.
- Please install the damper according to the national or local codes if you need.
- For general exhausting only. Do not use this range hood to exhaust hazardous and /or explosive materials or gas.
- The product itself is nonflammable.
- In order to reduce the risk of fire, all exhaust pipes, flues and devices should be nonflammable. Use only metal duct cover and metal duct pipes. Never cover the hood with flammable plastic film or paper.
- Services guaranteed under warranty must be performed by FOTILE certified service provider or personnel. The warranty is not effective for products removed for repair without authorization.
- Please read the specification label on the range hood for further information and requirements.
- Please install a Make-Up Air System if you install the high-power Range Hood in an airtight room. Due to the configuration of the FOTILE Range Hood, it is recommended for users with an airtight new house to install a supplementary air device. Please comply with relevant regulations to install corresponding supplementary air device if there are relevant regulations in your state or region.
- This product is for use in the U.S. and Canada only.

Use and Care

Product Specifications

		Perimeter Vent			
Model		EMS6008-CR			
Certification		ETL			
Product Size	Width	23 7/16inches(595mm)			
	Depth	20 9/16inches(522mm)			
	Height	19 15/16inches(505mm)			
Voltage/Frequency		120V/60Hz			
Power		200W			
Led lights		Max 12V/3W×2(LED)			
Max Static Pressure(Pa)		840			
Speed		Low	Medium	High	Boost
Noise Level (dB(A))		44	53	55	58
a. noise in the above table complies with the IEC60704 standard, it is the sound pressure level. The corresponding sound power level is: 70 dB(A) for boost, 67dB(A) for high, 65 dB(A) for medium and 56 dB(A) for low. b. Such parameters as air flow and noise may have a deviation of less than 10% .					

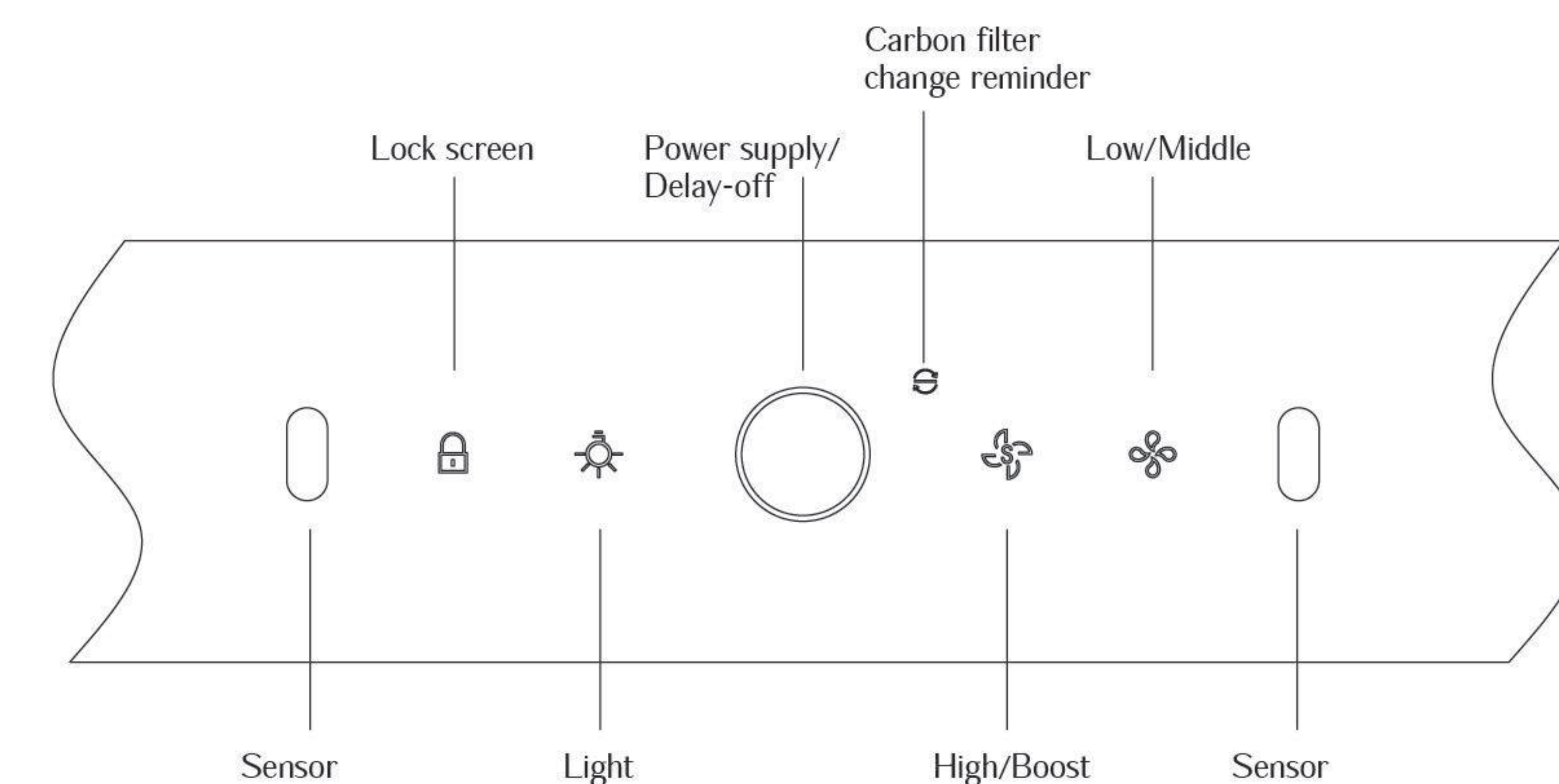


Operation Guidance


Warning


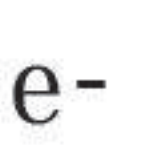
- Avoid sudden or violent button operation.
- Avoid empty burning of the stove that directly bake the range hood.
- Avoid disassembly with power on or against the instructions.
- Avoid the overflow of the capture-shield plates (integrated oil cups).
- Avoid disassembly and inspection by non-professional personnel.

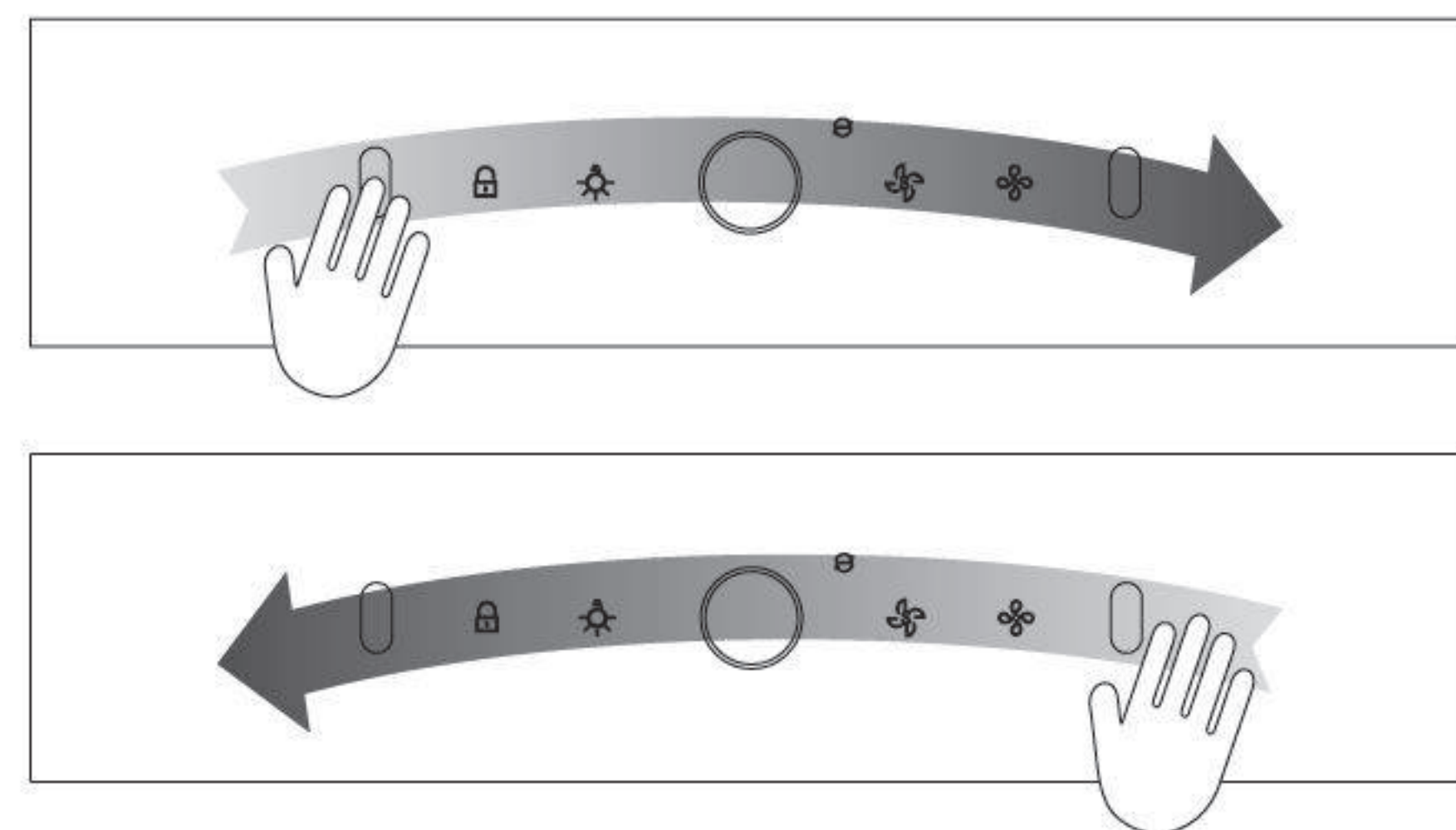
Operation Interface



■ Gesture Function

In Off state, wave your hand and quickly pass by the induction windows on both ends of the operation panel. The range hood will start its high-speed operation and the LED light will be switched on. Wave your hand again and quickly pass by the induction windows on both ends of the operation panel, the power/delay  indicator will flash and the range hood will be in the shutdown delay status. The LED light remains in its original state, and the light can be turned off by gently touching the light button. the fan will switch to low-speed operation and operate for 5 minutes before shutting down.

In Off state, press the lighting button  and low-speed/middle-speed button  simultaneously for 5 seconds, all the buttons on the control panel will be lit for 1 second and then go out, the gesture induction function is enabled/disabled.



■ Power/Delay button

In Off state, gently touch the power/delay button once, the range hood will be in the standby state, the power/delay button indicator will be fully lit, and other button indicators will be slightly lit; in the operating state, gently touch the power/delay button, the power/delay button indicator will flash and the range hood will be in the shutdown delay state. The LED light remains in the original state, and the light can be turned off by gently touching the light button. the fan will switch to low-speed operation for 5 minutes before shutting down.

In the standby state or delayed shutdown state, gently touch the power/delay button once. All the button indicators will go out and the range hood will then be powered off. All the following button commands will be carried out in standby mode:

■ High mode/Boost mode

Gently touch the high mode/boost mode. The high mode/boost mode indicator will be half lit, and range hood will operate in high mode; gently touch the high mode/boost mode again, the high mode/boost mode indicator will be fully lit and flash, and the range hood will operate in turbo mode state. After 100 seconds, the range hood will return to high mode operation, and the high mode/boost mode indicator will be half lit.

When the range hood is operating in turbo mode state, gently touch the high mode/boost mode again, the high mode/turbo mode indicator will be lit slightly, and the range hood will stop operating.

■ Low mode/Middle mode button

Gently touch the low mode/middle mode button, the low mode/middle mode indicator will be half lit, and the range hood will operate in low mode state; gently touch the low mode/middle mode button again, the low mode/middle mode indicator will be fully lit, and the range hood will operate in middle mode state; gently touch the low mode/middle mode button again, the low mode/middle mode indicator will be lit slightly, and the range hood will stop operating.

■ Lighting button

Gently touch the lighting button, the button will be fully lit and the LED light will be turned on. Gently touch the lighting button again, the button will be lit slightly and the LED light will be switched off.

■ Lock screen button







When the range hood is not in operation, press the lock screen button for 2 seconds.



After the machine makes a clicking sound, the indicator of lock screen button will be fully lit and flash, all buttons will be locked. The screen locking function can be cancelled by long pressing the lock screen button again for 2 seconds.

During operation of the range hood, the lock screen button is not active. If pressed, it will make a clicking sound.

■ Carbon filter change reminder

It is off by default, and it is only applicable to users who have separately purchased and installed the "carbon filter".

In Off state, simultaneously hold down the lighting button  , high mode/boost mode  and low mode/middle mode button  for 3 seconds, After hearing a clicking sound, the carbon filter change reminder light will be lit and then go out after 1 second. The carbon filter change reminder function is enabled. When this function is enabled, simultaneously holding down the lighting button  , high mode /boost mode  and low mode/middle mode button  for 3 seconds will disable the carbon filter change reminder function, and a clicking sound will be heard.

When the carbon filter change reminder lights up, please promptly change the carbon filter in the range hood. After completing the change in Off state, simultaneously hold down the lighting button  and high mode/boost mode  for 3 seconds, After hearing the clicking sound, the carbon filter change reminder light will go out, and the change process is finished.



Prompts :

- 1.The range hood will shut down automatically if it is not operated for two minutes;
- 2.It is suggested to turn on the range hood when cooking to keep the kitchen air fresh, otherwise the gesture function may be triggered when more vapor passes by the induction window;
- 3.For the specific change process of carbon filter, please refer to the following P9 "Operating Steps of carbon filter Change".

Care and Clean

Warning

1. There will be a risk of fire if the range hood is not cleaned as specified in this manual.
2. To avoid electric shock, ensure the power cable is unplugged before cleaning and maintaining the range hood.
3. Make sure that no water gets into the electrical parts such as the motor or control buttons during cleaning.
4. Do not put your hand into the fan operating area during operation of the fan.
5. Do not use such solvents as gasoline and benzene or such corrosive chemicals as strong alkali and strong acid for cleaning the range hood.

For better use, please clean the surface of the range hood, oil collection device and front filter assembly frequently.

Frequent cleaning of the surface of the range hood, oil collection device and front filter assembly is beneficial to prolonging the service life of the range hood.

● Surface Cleaning of the Appliance

⚠ Warning: When cleaning, please do not use such rough items such as cleaning balls, brushes or coarse cloth to protect the surface of machine body from scratches.

1. Clean with neutral soap or neutral detergent, and dry the surface of machine body with a soft cloth after cleaning.
2. Use neutral detergent to clean any stubborn dirt on the surface of range hood. Drop detergent onto the dirty area and leave it for a while, wipe off the dirt with a soft cloth, remove the detergent with a slightly damp towel, and then wipe the surface of the range.
3. Do not allow stains to remain on the surface of the range hood for too long.
4. If the stainless steel surface is accidentally stained with saline solution, disinfectant, bleaching powder or other detergents (most of the solvents contain harmful chemical components), immediately wipe it with wet cloth and then wipe it dry with a dry cloth.

● Cleaning the wing-like plate

1. Grasp the front edge of wing plate with hands, pull it down to detach the locking tab of the wing plate (Fig. 1). Then flip it down at a certain angle, and remove the wing plate horizontally with hands finally (Fig. 2).
2. Soak the wing plate in warm water with neutral detergent, and wash it clean with soft brush or in the dishwasher.
3. Reinstall the wing plate after cleaning and wiping.

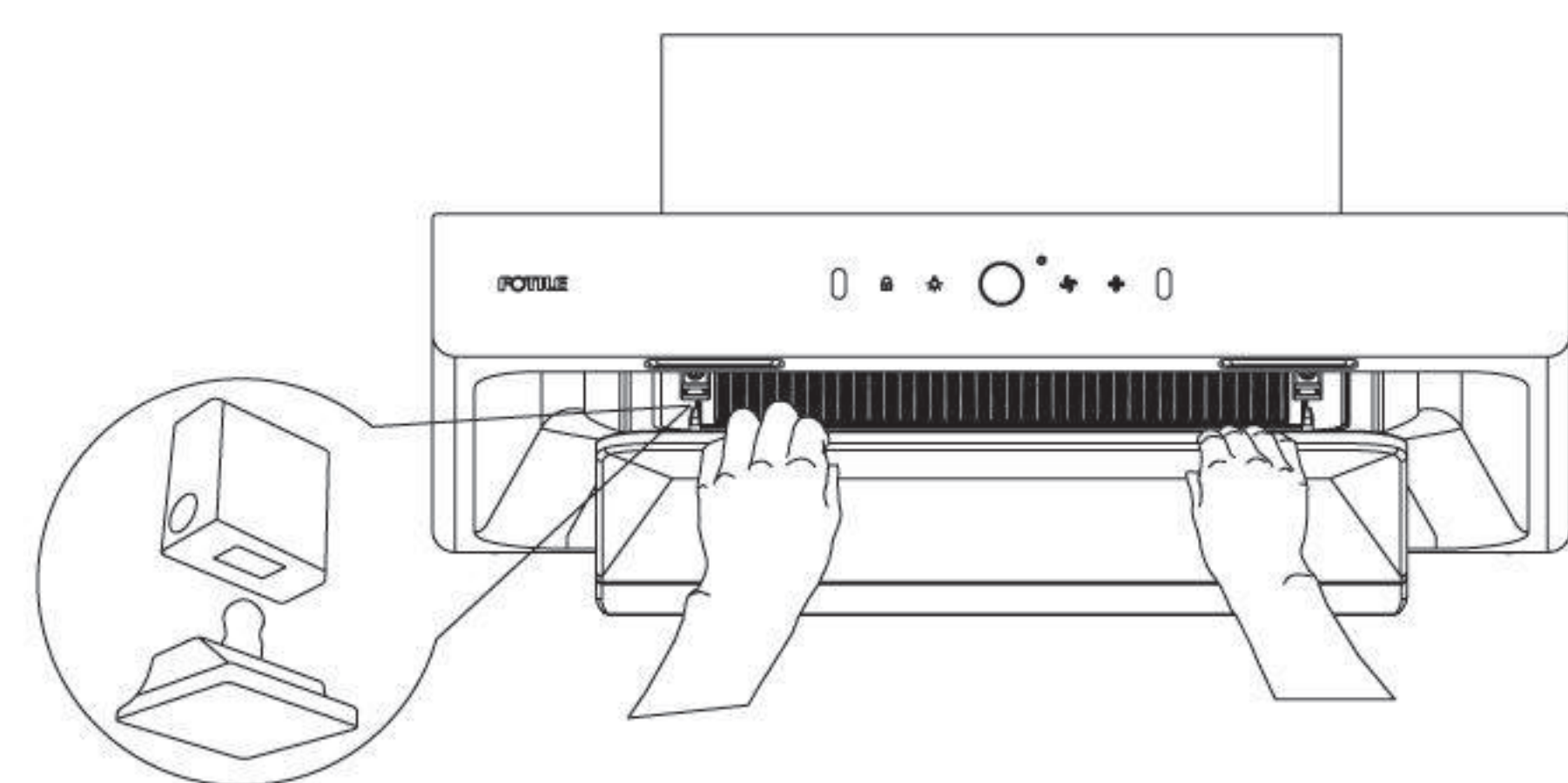


Fig.1

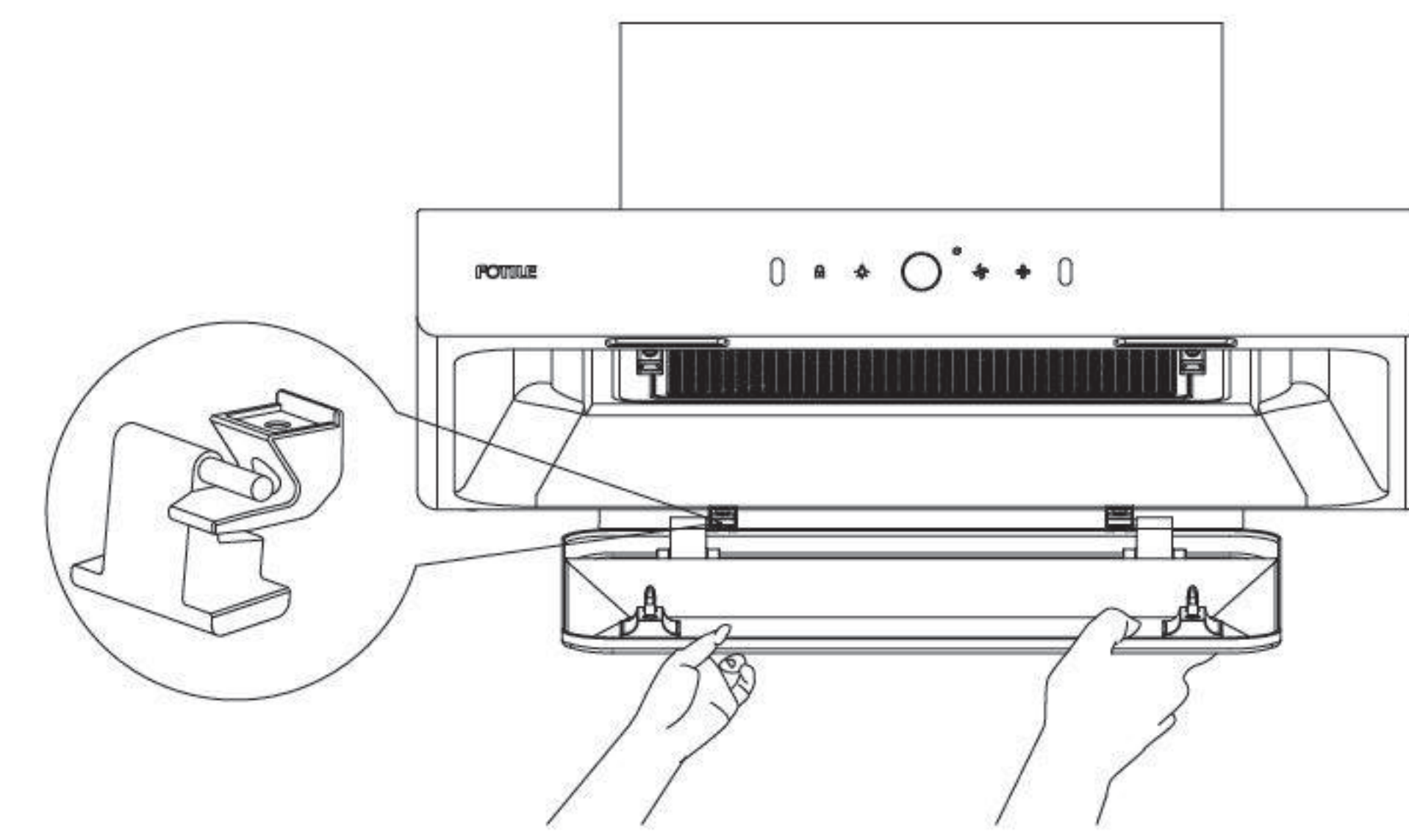


Fig.2

● Cleaning the Front filter

1. First remove the wing plate (see Fig. 1 and Fig. 2);
2. Detach the locking tab of the front filter directly, and remove the front filter (see Fig. 3 and Fig. 4);
3. Immerse the front filter in warm water with neutral detergent, and wash it with soft brush or in the dishwasher;
4. Reinstall the front filter and wing plate after cleaning and airing.

Note: After cleaning with strong acid/alkali detergent or dish washing powder, it may cause the change of color of the front filter screen, but it does not affect the use.

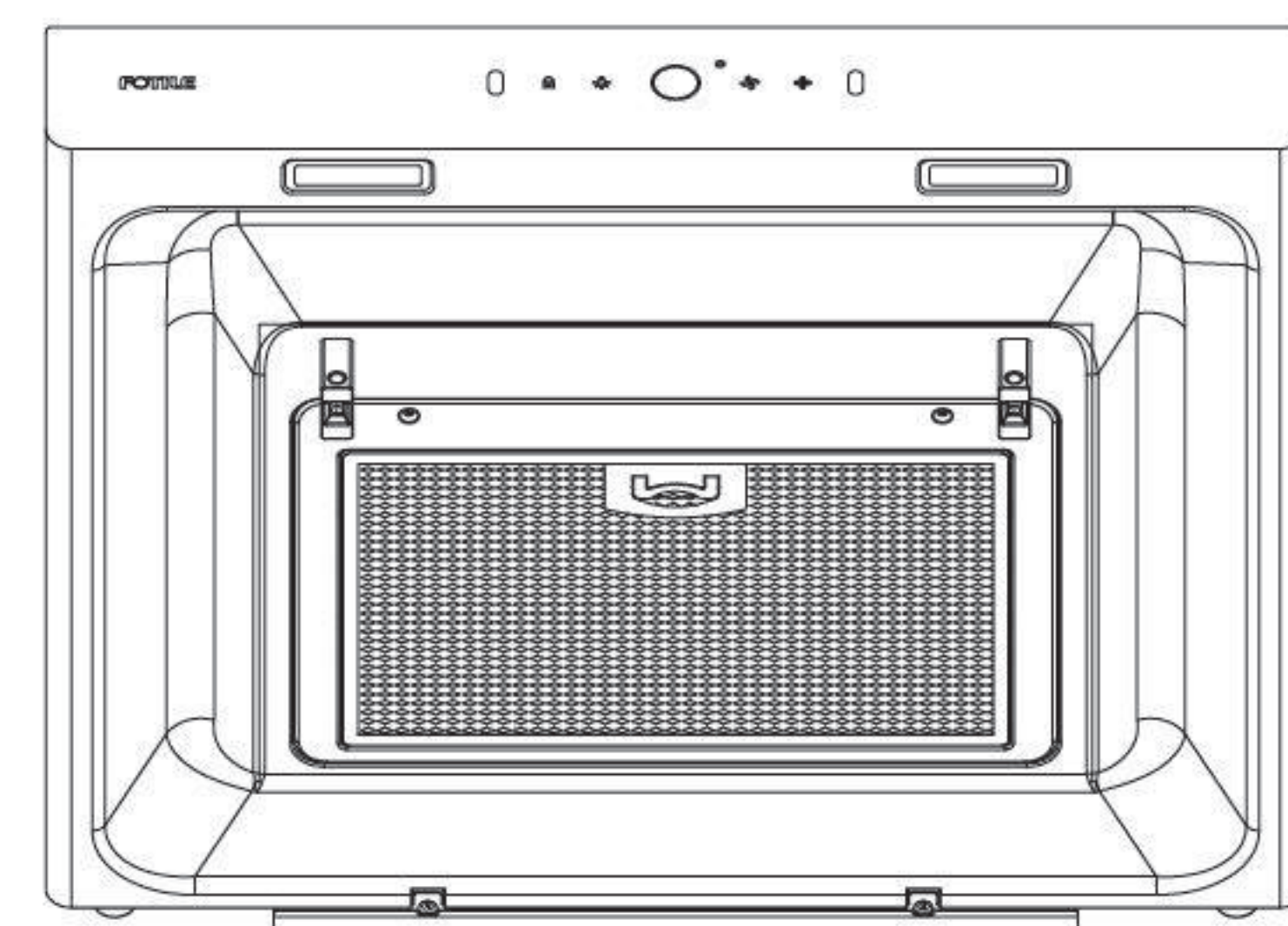


Fig.3

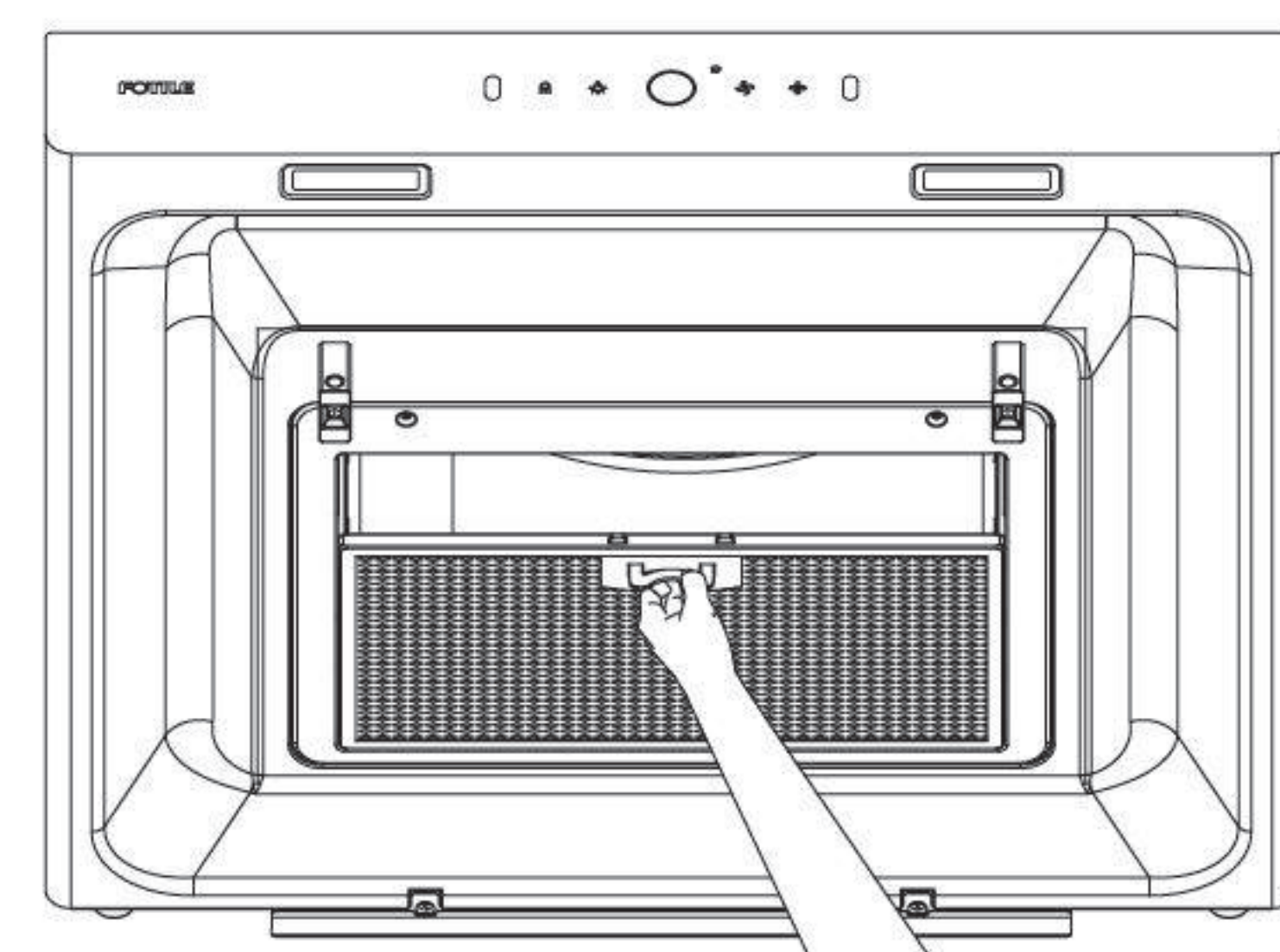


Fig.4

● Replacing the Carbon filter

(this accessory shall be purchased separately)

1. First remove the wing plate (see Fig. 1 and Fig. 2);
2. Remove the front filter (see Fig. 3 and Fig. 4);
3. Detach the locking tab of the carbon filter, remove it, replace with a new carbon filter (see Fig.5), and then install the front filter (see Fig.6) and the wing plate (see Fig.2 and Fig.1);

4. When the range hood is in Off state, simultaneously hold down the lighting button and the high mode/turbo mode for 3 seconds, Upon hearing a click, the carbon filter change reminder lamp will switch off and replacement is finished.

(Note: ① The carbon filter cannot be cleaned;
② Please purchase the new carbon filter at an authorized Fotile branch.)

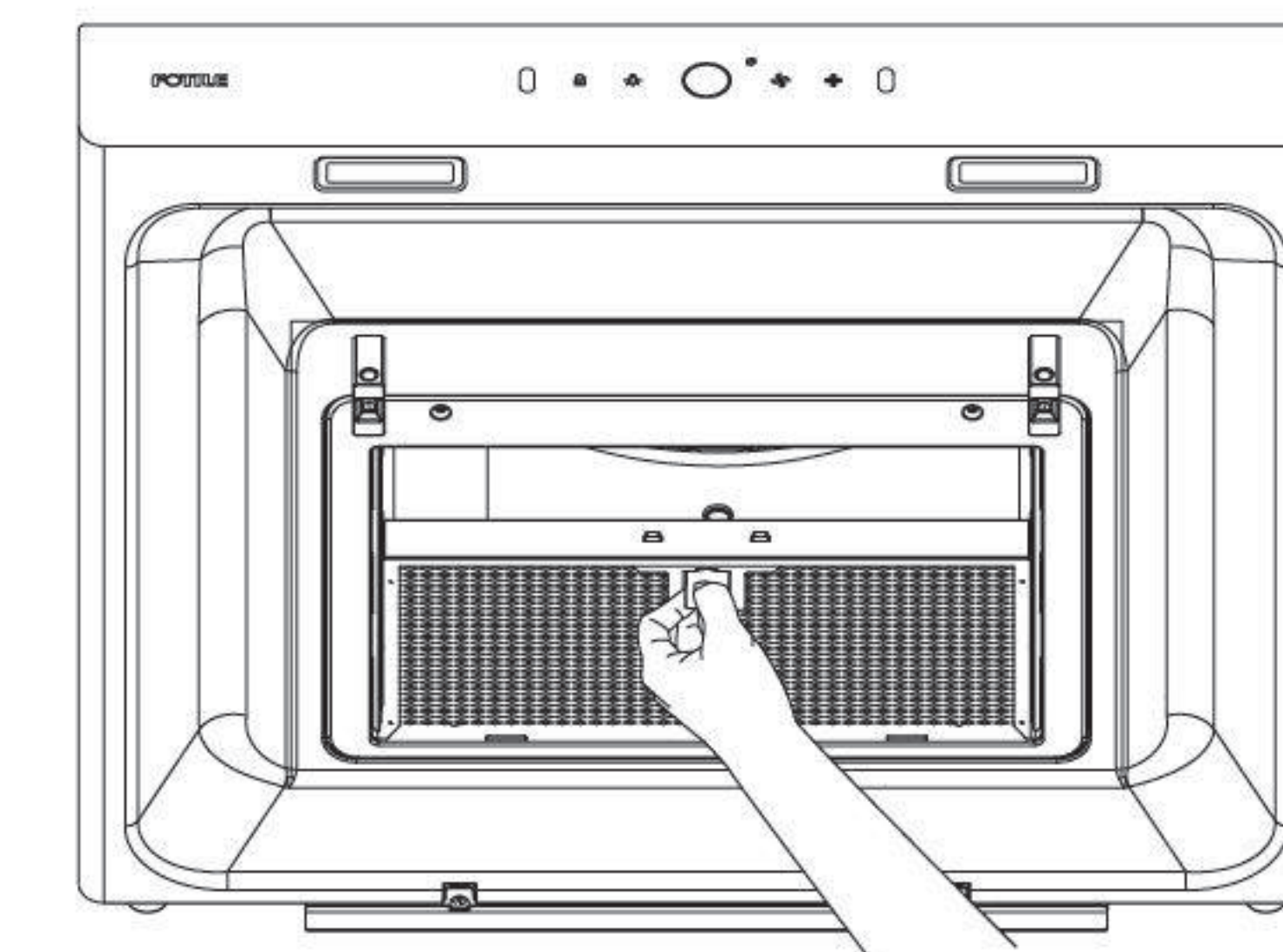


Fig.5

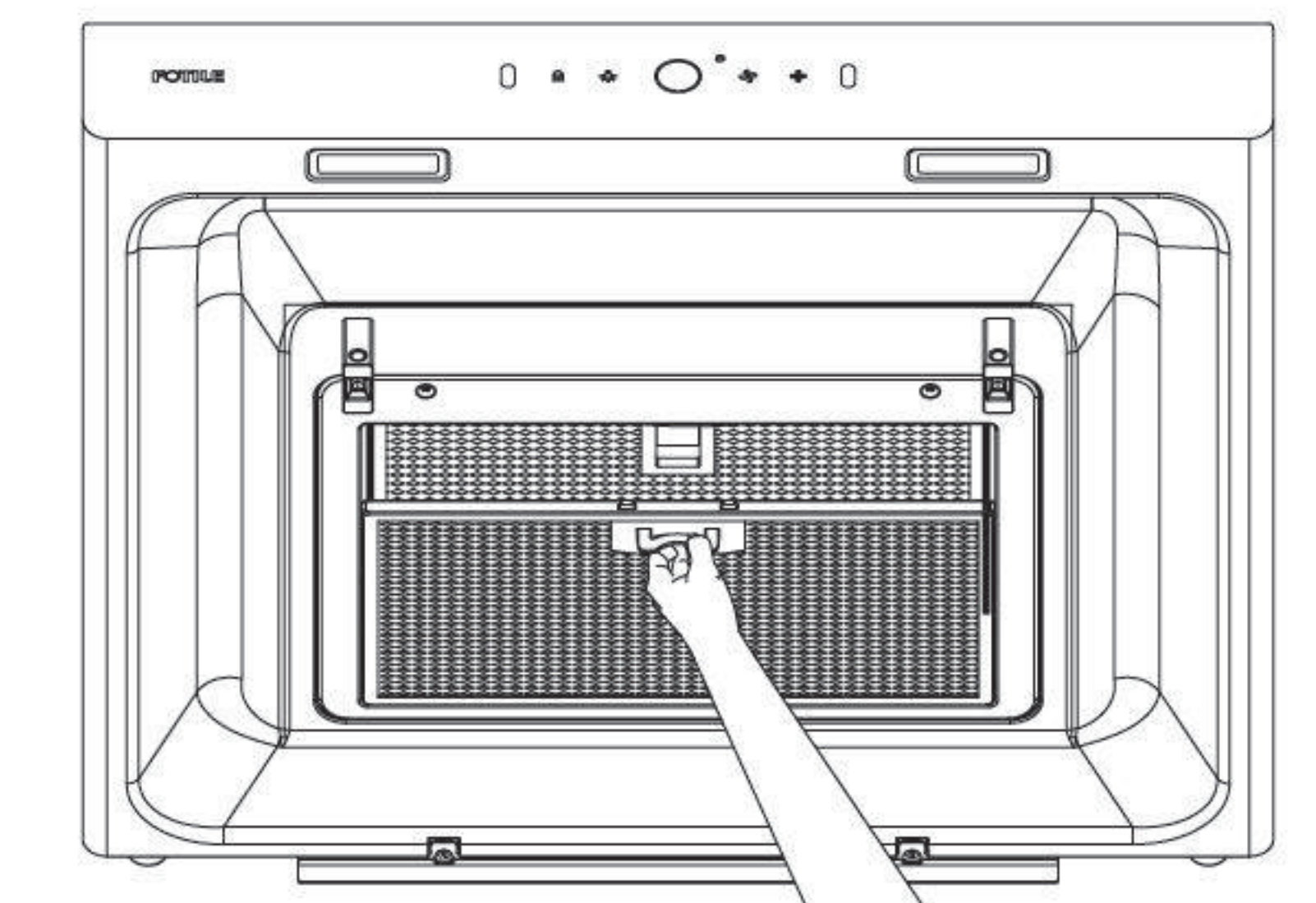


Fig.6

● Replacing the Carbon filter

Parts to be cleaned	Recommended Cleaning (or Change) Cycle
Surface of the complete appliance	After each use
Wing plate	Clean weekly
Front filter	Clean weekly and replace each year
Carbon filter	Change when the carbon filter prompt icon on the complete appliance lights up

Note: Please determine the specific cleaning period based on the actual cooking situation.

Identification and Troubleshooting of Common Faults

● Troubleshooting of Common Faults

Fault Symptoms	Possible Reason	Repair Method
Range hood is not working and the LED lamp is not on	Not powered on	Check whether the power plug is properly plugged in
		Check whether the socket has power
Motor rotates but the LED lamp is not on	LED lamp damaged	Replace the LED lamp
Noise of mechanical vibration	Loose screws	Check whether the screws on the surface of the range hood are tight
Poor suction effect	Installation distance between the range hood and the stove surface is too large	Lower the installation height of the range hood (this operation must be carried out by a maintenance professional)
	There is too much ventilation and convection in the doors and windows around the range hood	Reduce ventilation or close some doors or windows
Gesture function does not work	Gesture function is off	Follow the operation on page P7 to restart the function

● Disclaimer

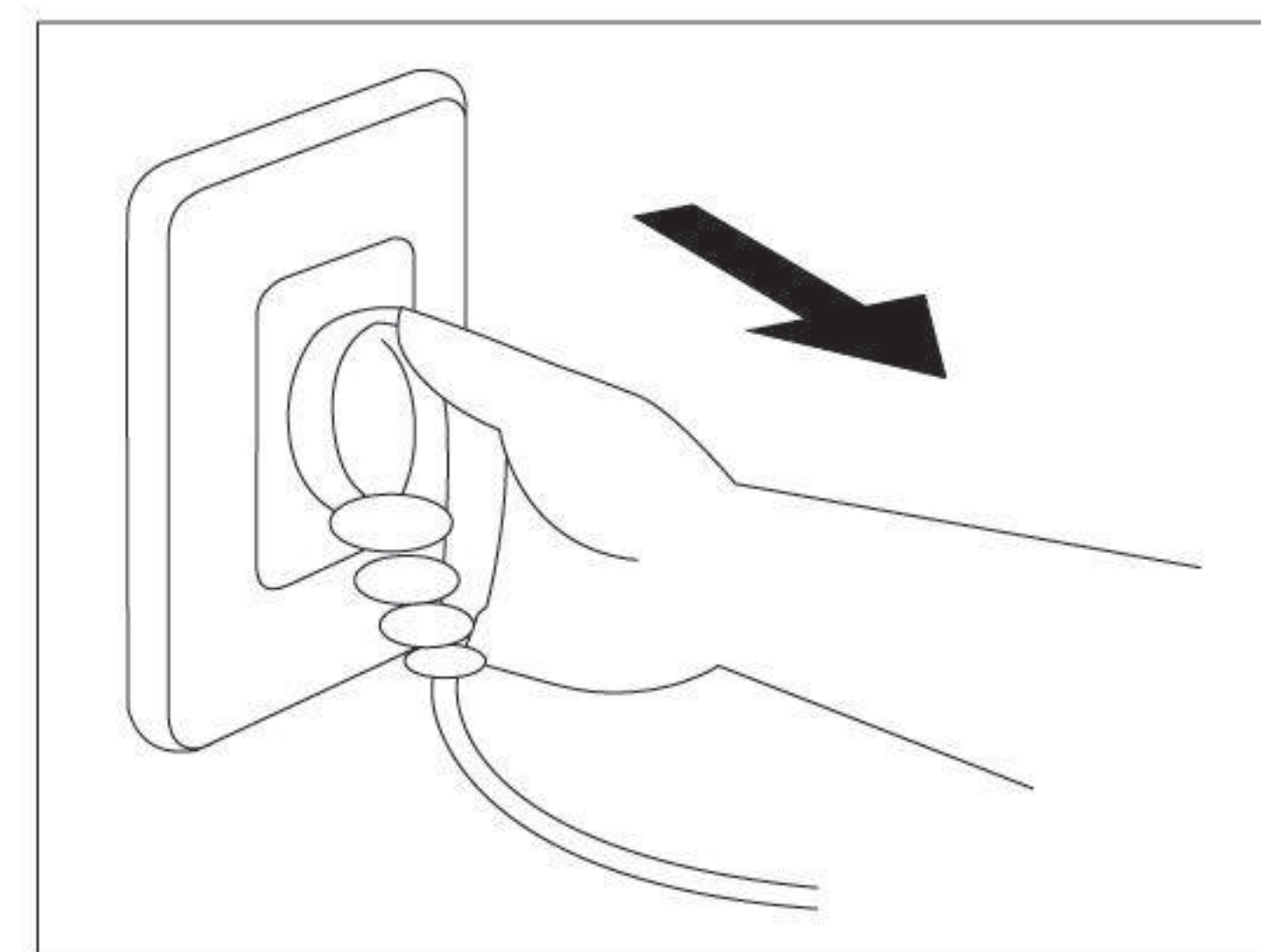
- If the range hood still does not function normally after the above troubleshooting, please contact the Fotile authorized service center.
- Personnel from non-Fotile authorized service center are not allowed to repair the range hood to avoid serious consequences. Otherwise, the product will not enjoy warranty service.
- Free warranty will not be provided in the following circumstances:
 - Damage resulting from improper handling, installation, use, maintenance and safekeeping conducted by the customer.
 - Failure and damage caused by using the product beyond the normal operating conditions (damage caused in the case that the voltage is higher than 132V or lower than 103V)
 - The product installed, dismantled or repaired by customer or any party other than Fotile's authorized service staff or agency.
 - Discrepancy between the information on the purchase voucher and the warranty card and the product.
 - Product damage caused by a force majeure event (such as natural disaster and war, etc.)

● Repair instructions

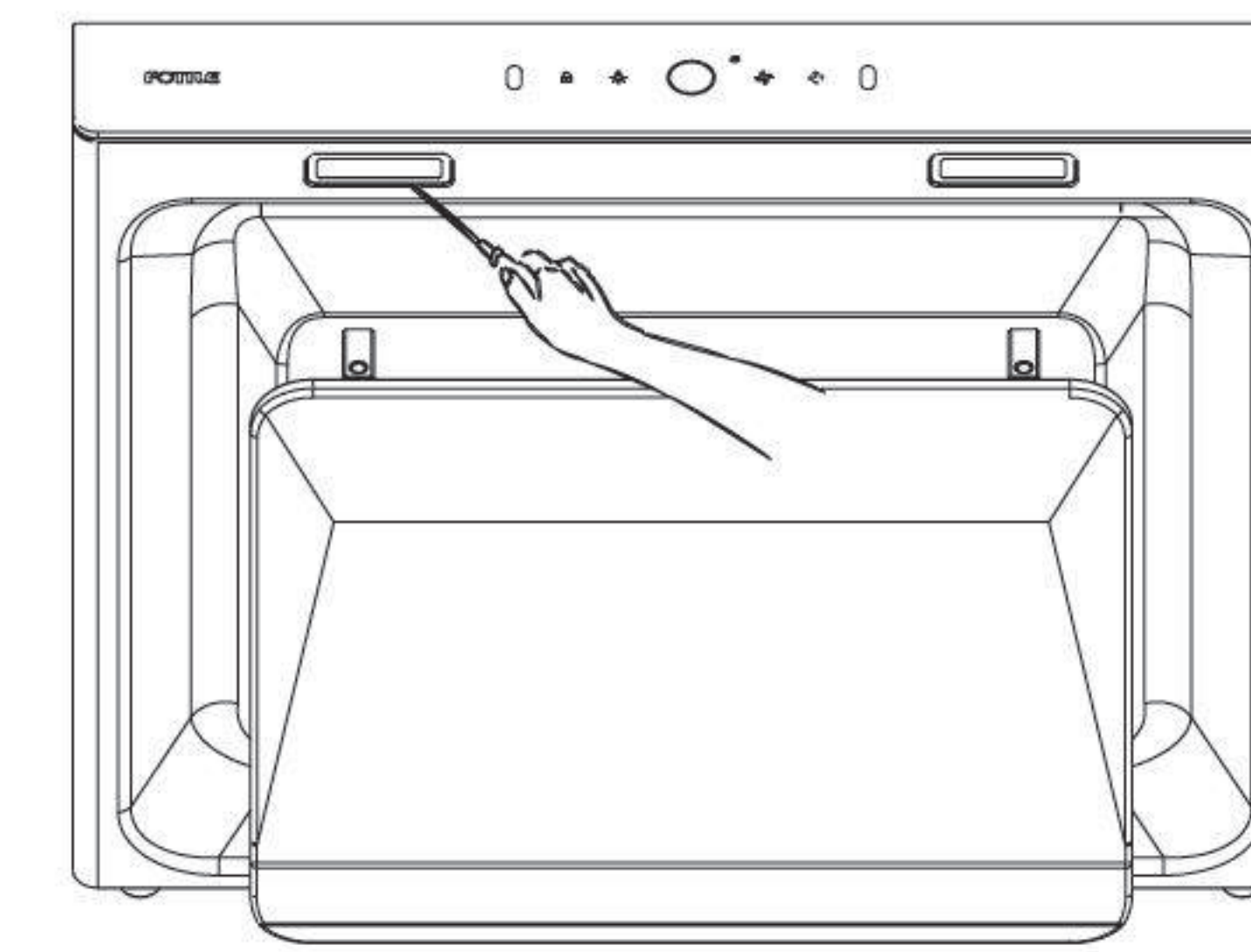
- The following information is required:
 - Date of purchase.
 - Product model
 - Serial number (please see P2 for specific location)
 - Relevant vouchers for purchase

● Replacement of the LED Lamp

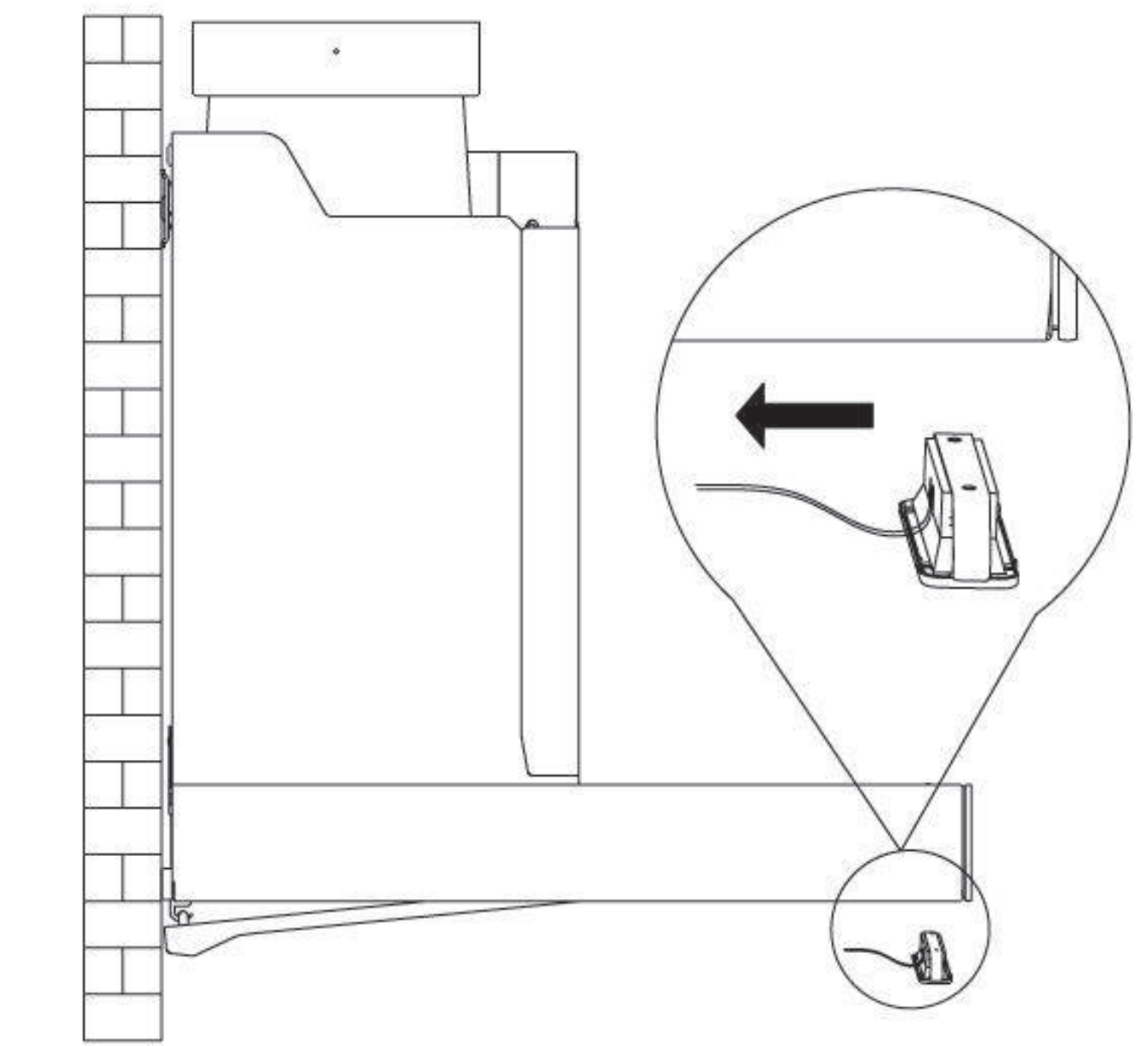
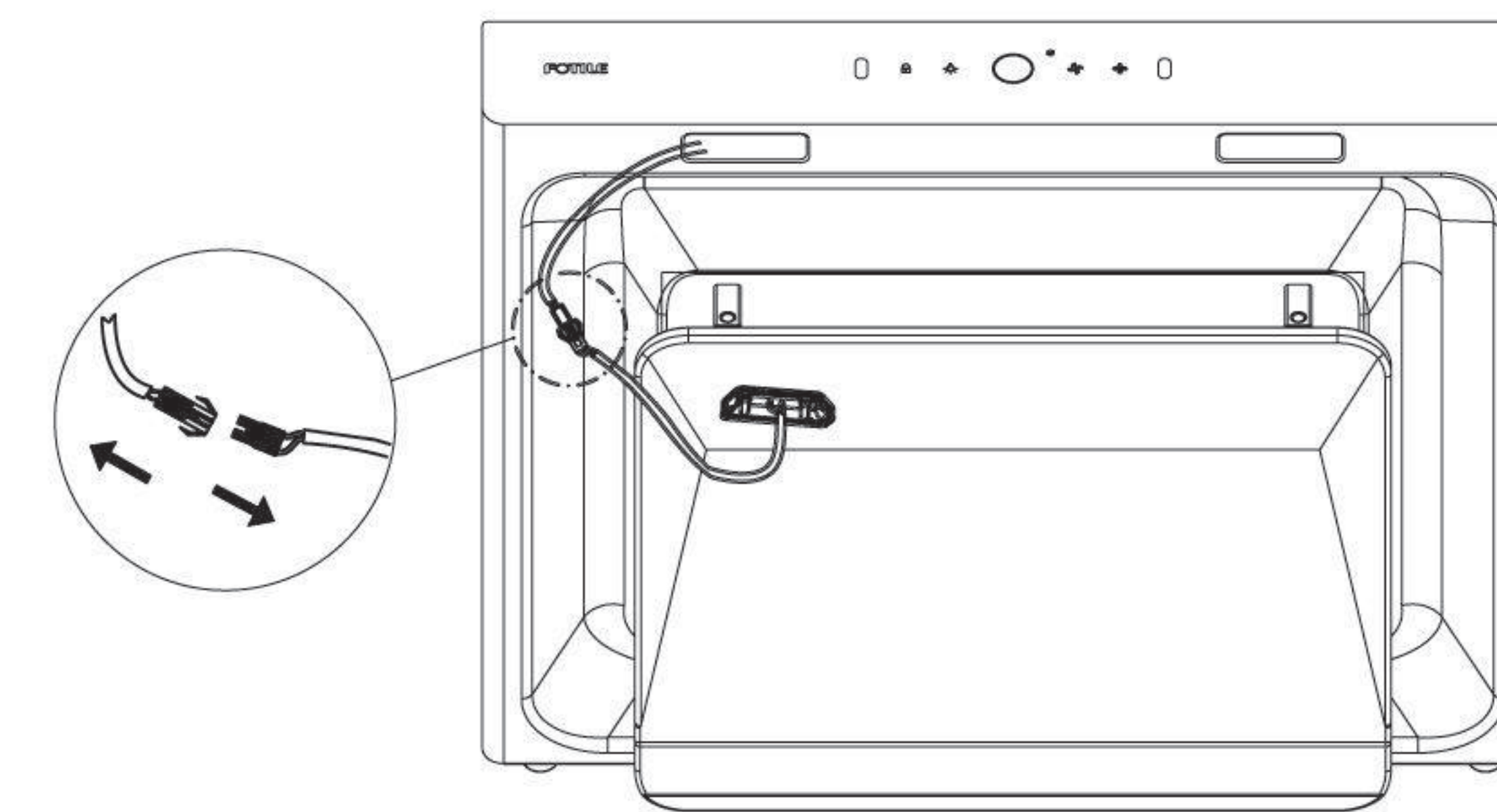
- Unplug the power plug of the range hood, or turn off the power of at the socket;



- Slightly insert a small blade-type screwdriver into the edge of the lamp, push down and remove the lamp assembly;



- Disconnect the lamp connection line and replace the whole LED lamp (The lamp wire should be assembled toward the wall).



Danger of electric shock: Please unplug the power plug or cut off the power supply of the range hood socket before replacing the LED lamp to avoid electric shock.

Customer Services

It is recommended that you read the following warranty terms first in case that services are required.

Warranty Policy:

For range hood purchases made on or after 11/15/2019.

FOTILE is offering five years limited warranty on range hood products. Lifetime limited warranty on motors.

From your purchase date:

TWO (2) YEARS FULL WARRANTY ON ALL FOTILE RANGE HOOD PRODUCTS AND PARTS (LABOR INCLUDED)

YEARS THREE (3) THROUGH FIVE (5) LIMITED WARRANTY ON ALL FOTILE RANGE HOOD PRODUCTS AND PARTS (LABOR NOT INCLUDED)

LIFETIME LIMITED WARRANTY ON MOTORS (LABOR NOT INCLUDED)

What FOTILE America will not cover under Warranty:

- Service trips to your home to provide tutorials on the use and maintenance knowledge.
- Improper installation, delivery or maintenance.
- Failure of the product if it is abused, misused, modified or used for other purpose or used commercially.
- Damage to the product caused by improper clean.
- Damage to the product caused by accident, fire, floods or acts of God.
- Damage to the product caused by use beyond normal conditions, eg. Higher voltage.
- Product without registration or wrong information according to the registration.

Exclusion of Implied Warranties:

This warranty is extended to the original purchaser and any succeeding owner for products purchased for home use within the USA. If the product is located in an area where service by a FOTILE Appliances Authorized Service Technician is not available, you may be responsible for a trip

charge or you may be required to bring the product to an authorized FOTILE Service location for service. In Alaska and Hawaii, the warranty excludes the cost of shipping or service calls to your home. Some states do not allow the exclusion or limitation of incidental or consequential damages. This warranty gives you specific legal rights, and you may also have other rights which vary from state to state. To know what your legal rights are, consult your local or state consumer affairs office or your state's Attorney General.

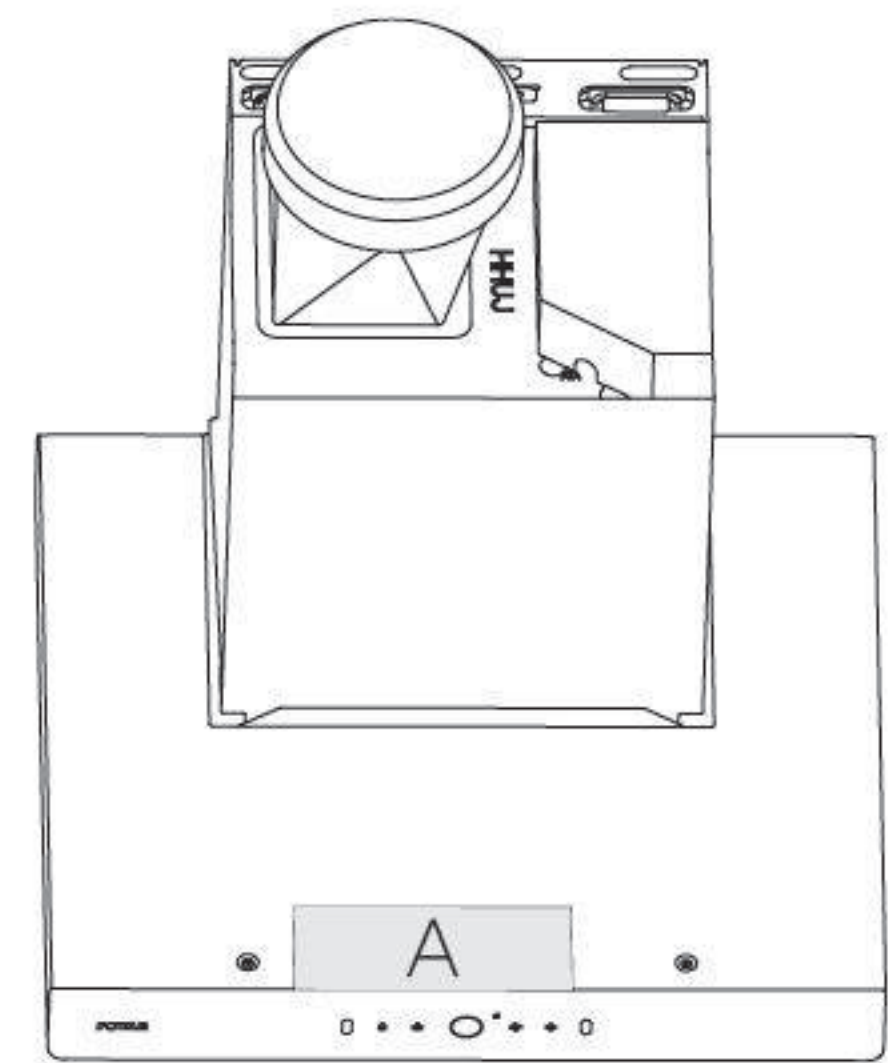
Product Registration

● If you have purchased a FOTILE range hood, please register your product as soon as possible. This allows us to communicate with you and provide you with services in a timely manner upon your request. You may register your product in two ways as follows:

■ A printed registration card is enclosed in the product package. You may fill in the information and mail it to FOTILE.

■ Visit the official website of FOTILE for product registration:
<https://us.fotileglobal.com/pages/product-warranties-registration>

● If you have purchased a FOTILE range hood, please inform us of the model and serial number of the product when you communicate with us so that we can serve you better. You can find such information on Label A as below:



● To order parts, you may:

■ Visit the FOTILE website: <https://us.fotileglobal.com/>, to find information and place orders.

■ Call Hotline of FOTILE: 1(888)-315-0366, to seek for consultations and place orders.

■ Contact FOTILE authorized stores (visit the FOTILE website to find an authorized store in your city) for inquiries and purchases at <https://us.fotileglobal.com/>.

● In case of other services you need, you may contact FOTILE at:

■ Hotline: 1(888)315-0366

■ Customer Service Email: serviceusa@fotile.com
 (Please leave your phone number available for contact during the daytime)

■ Mail Address: 6 Campus Dr, Suite 210, Parsippany, NJ 07054

Installation Guidance

Safety Instructions

To ensure the safe and efficient use of your FOTILE product, please note the highlighted information in the product manual as follows:

* **Warning:** Indicating a risk of serious bodily injury or death if precautions are not observed.

* **Notice:** Indicating possible minor personal injury or product damage if instructions are not followed.

* **Important:** Emphasizing information of critical importance.

Safety Instructions

Please be sure to read these safety instructions before using the product.

Please be sure to properly keep these safety instructions.

This product is for indoor use only.

Warning

● In order to reduce the risk of fire, electric shock, or injury to persons, please carefully read the following:

■ The installation and wiring of the appliance should only be carried out by a professional electrician in accordance with current national or local electric safety regulations, including fire-rated construction. Non-professional personnel should not conduct installation. Proper installation is the responsibility of the installer. Product failure due to improper installation is not covered under the FOTILE warranty.

■ Please use standard installation equipment and tools provided by FOTILE to ensure safe installation. Make sure to use the expansion tube and expansion bolt provided by our company, in case the range hood falls down accidentally. The hole drilled into the wall should precisely match the size of the expansion tube, otherwise the range hood will not be properly secured to the wall and may fall down.

■ The range hood should be connected to a standard power socket with safe grounding. The midway connection, prolonged electric line or multi-socket wiring may cause electric shock, overheating and even fire. Power off before wiring and make sure proper measures have been taken to avoid unexpected connection.

■ During the installation, switch off the circuit breaker in the fuse box during installation. If the supply cord is damaged, it must be replaced by a special cord or assembly available from the manufacturer or its service agent.

■ The appliance should only be installed, removed and maintained by qualified technicians to prevent risks like electric shocks, falling or fires from occurring.

● Risk of Injury:

■ Unplug the appliance from the mains or switch off the circuit breaker in the fuse box before installation, cleaning, maintenance and repair in order to avoid electric shock.

■ The range hood may have sharp edges. Be careful to avoid cuts and abrasions during installation and cleaning. Do wear qualified protective gloves.

● Warning Before Installation

■ Prior to installation, ensure that the exhaust outlet is free of debris, as they may damage the range hood.

■ A straight and short ducting run will ensure high performance of the range hood.

■ A curving and long ducting run should be avoided, as it will lower the performance of the range hood.

■ Strictly seal the connection between the duct and duct hole with duct tape. Ensure that the connection between the duct and the duct cover is secure, and seal it with aluminum tape.

■ To ensure highly effective suction of fumes, please use the 7" (178mm) or bigger fume tube, and avoid using 5" (127mm) or smaller fume tube. Overly small fume tube will increase the fume discharge resistance, impair effectiveness of fume suction, and also potentially result in shutdown of the motor if heat protection is triggered.

■ The bolts used in this product are metric-size bolts, please do not apply any unqualified bolts.

Notice 

- Please carefully read all instructions prior to installation. Please give special consideration to the following items:
 - If you are renovating your kitchen, be careful to not expose the exterior of the range hood. Building materials, dust, paint, coating, and gases will corrode and tarnish the surface of the range hood. It is recommended that you install the range hood after all renovations are completed.
 - If you need to remove your gas burner before installation, please turn off the main gas valve first.
 - Do not connect the range hood duct to a duct used to exhaust hot air or fumes from another appliance.
 - Two installers are recommended due to the large size and heavy weight of the range hood. Since the installation is complex and the appliance is heavy, professional installers are required to install the appliance as outlined in this manual.
 - After the appliance fixed, the plug should be accessible.
 - Make sure to keep the appliance horizontally.
 - Ensure that the appliance functions normally after the installation is complete.
 - Where there is a step difference on the installation wall of the range hood as shown in Fig.1, if there is a situation as shown in Fig.2, the operation shall be carried out as shown in Fig.3, i.e., the support plates shall be added on the back of the hook and the foot-pad of the range hood. The thickness of the support plates shall be consistent with the height of the steps.

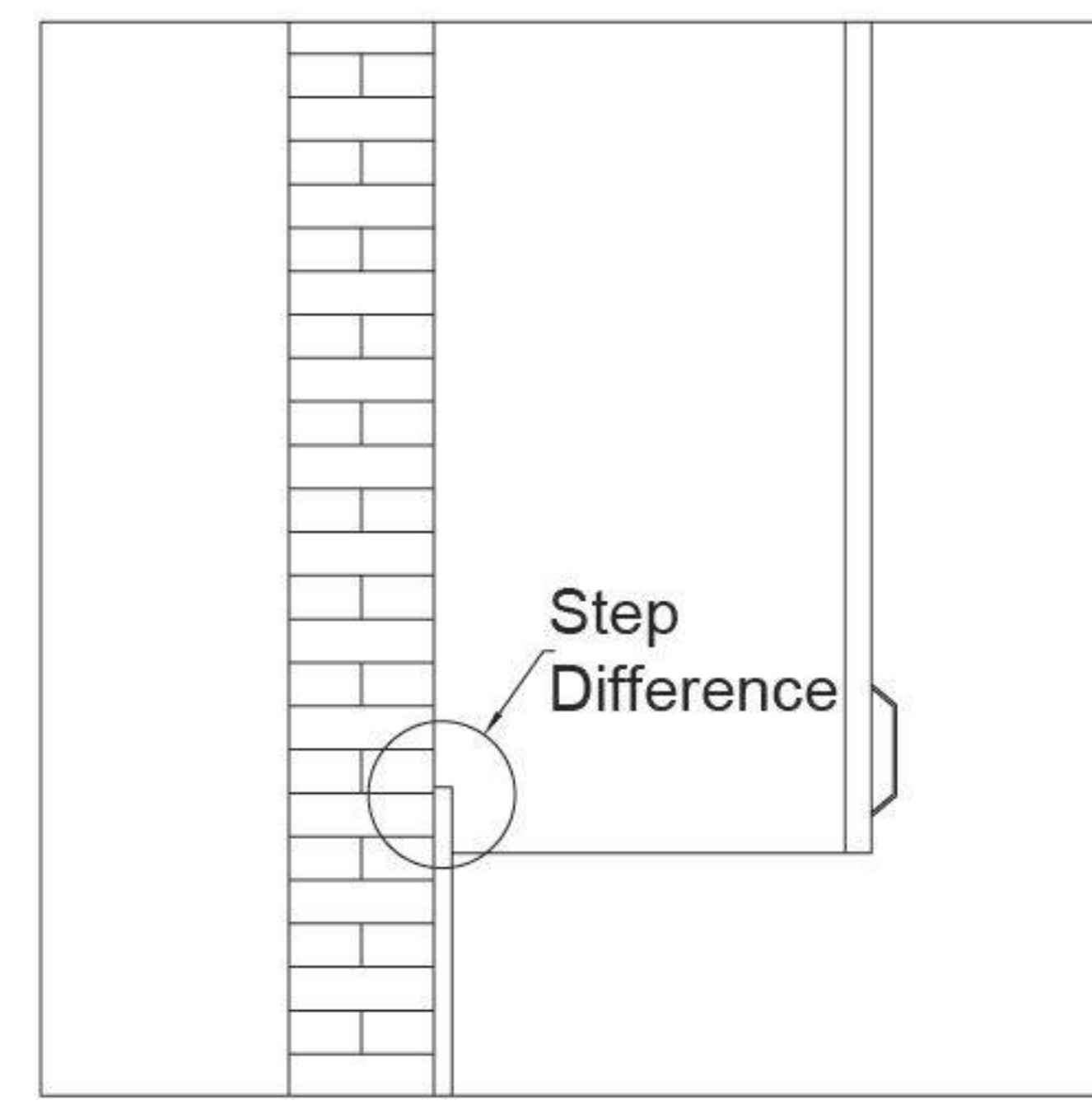


Fig. 1

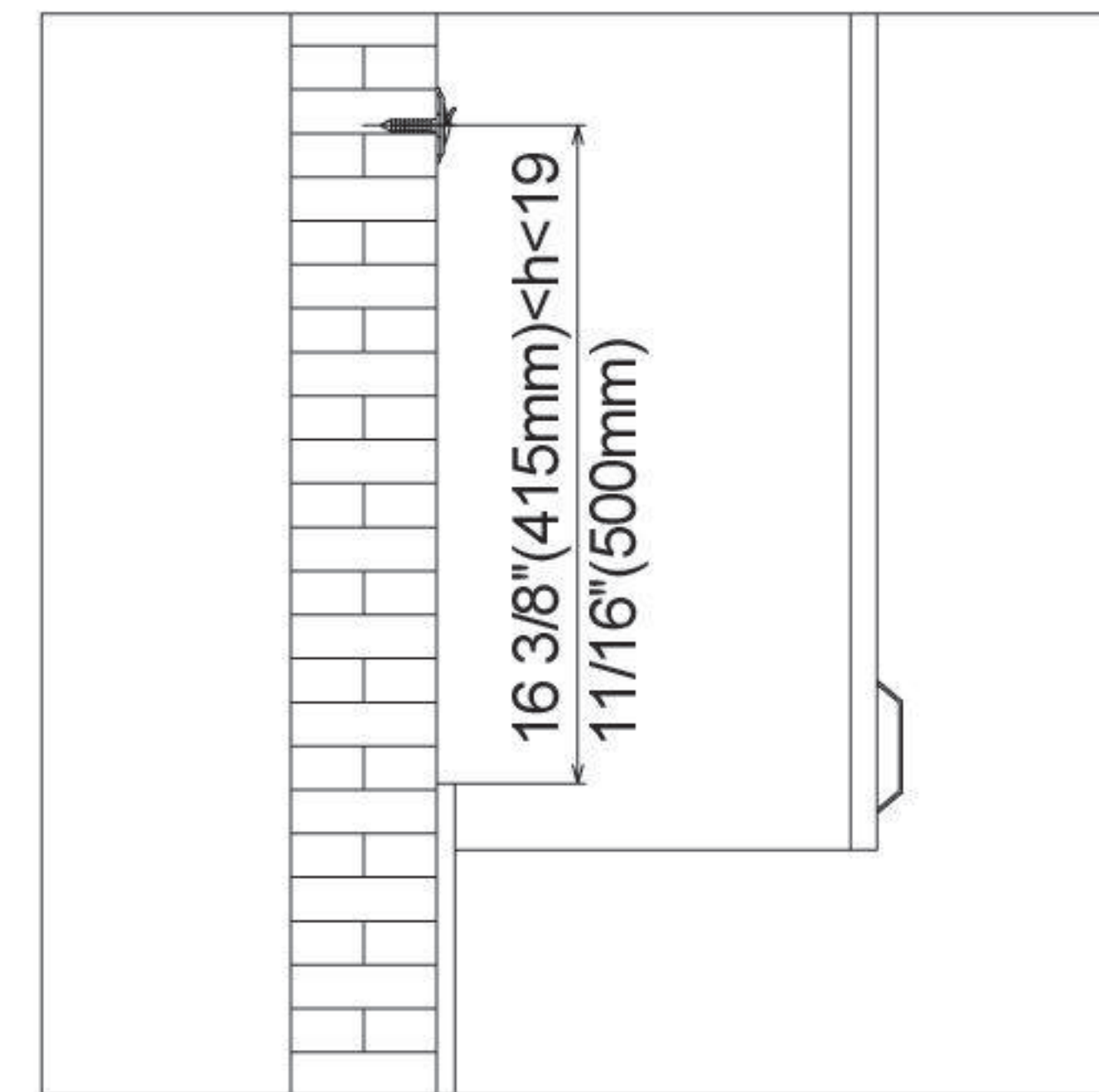


Fig. 2

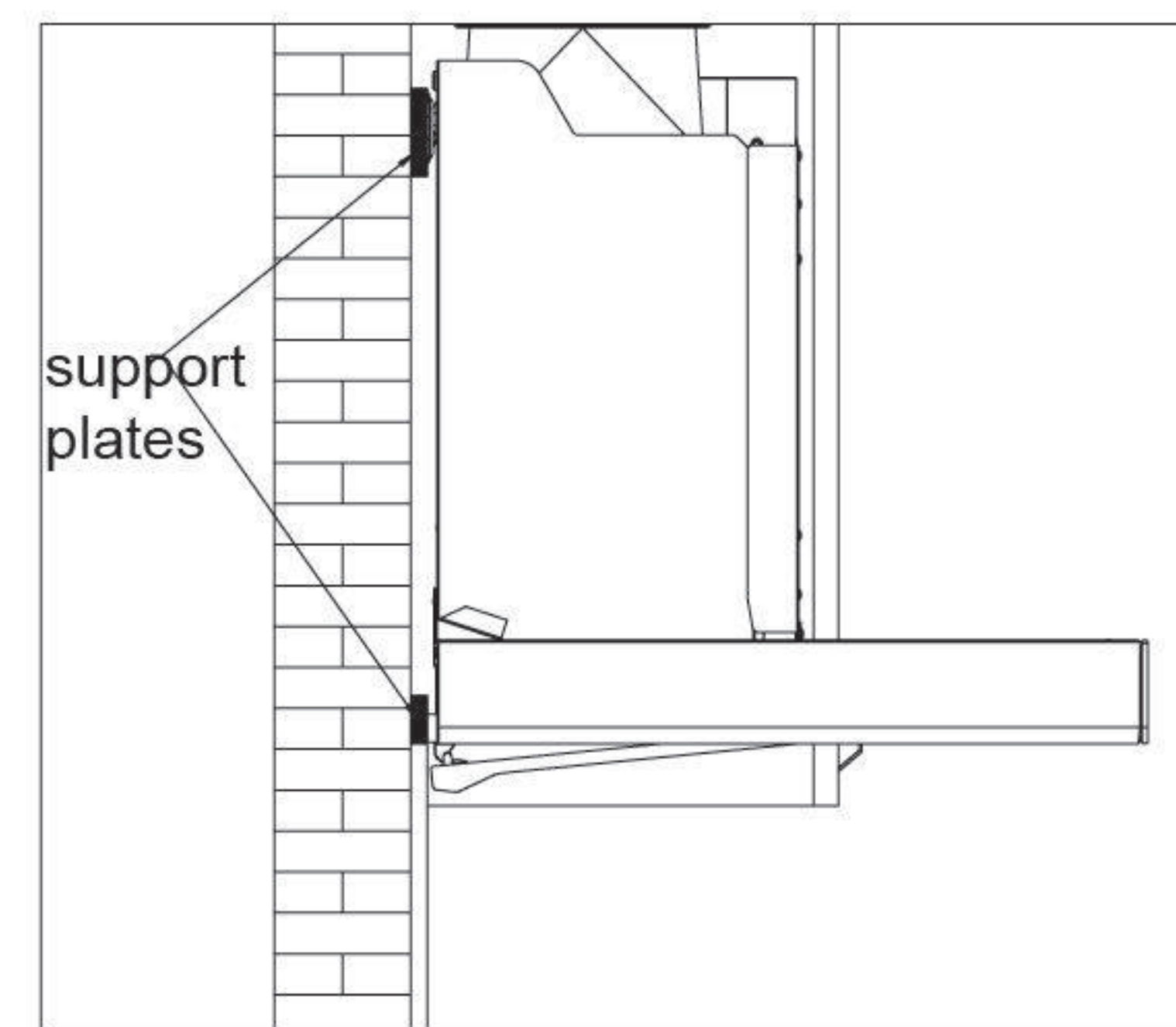
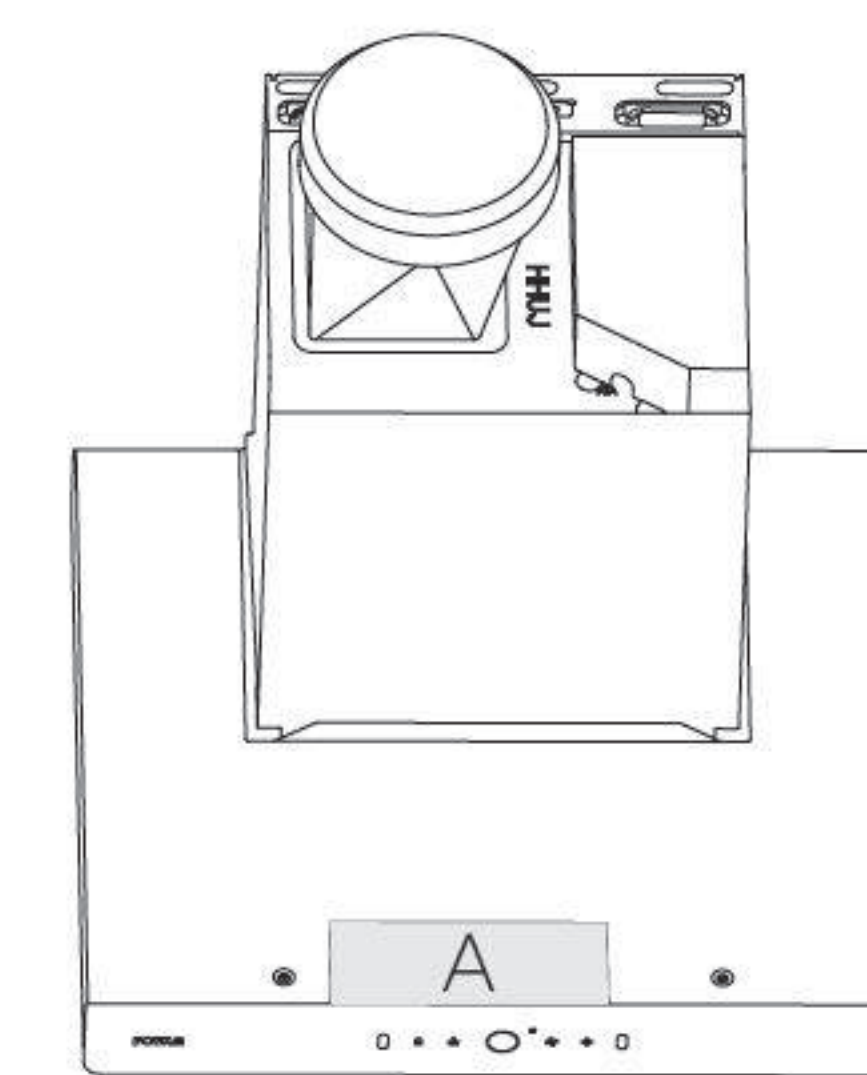


Fig. 3

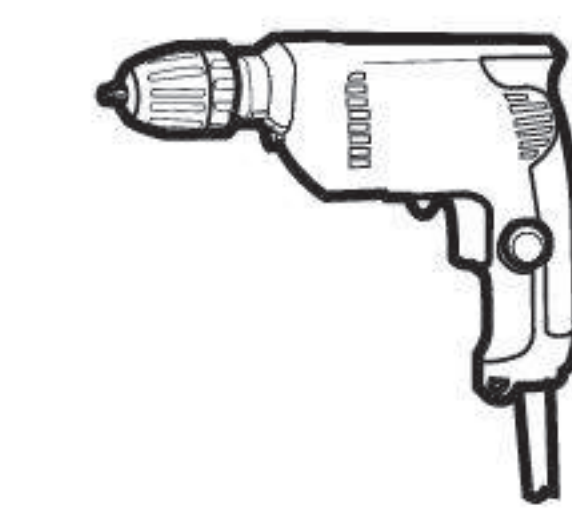
Important 

- Prior to installation, please read the FOTILE Range Hood Installation carefully and save it for the local inspector's future reference.
- This appliance must be installed in accordance with National Electrical Codes, as well as all state, municipal and local codes.
- The appliance must be equipped with safe circuit breaker and installed with safe grounding.
- The correct voltage, frequency and amperage must be supplied to the appliance according to the proper voltage, frequency and amperage ratings listed on the product rating plate.
- This installation must be completed by FOTILE authorized service center, or certified installers.
- Please record the model and serial number before installing the range hood. Position of plaque can be referred to in figure A as follows:
- The hook and the cupboard with the range hood mounted must be able to bear three times its weight.

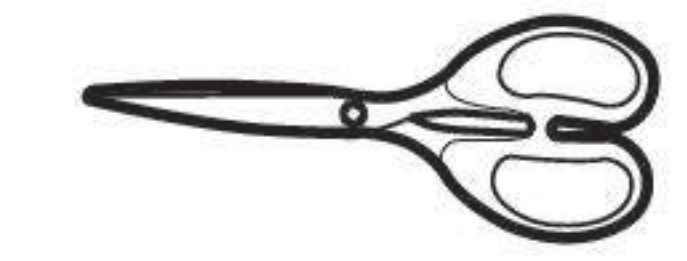


Tools and Accessories

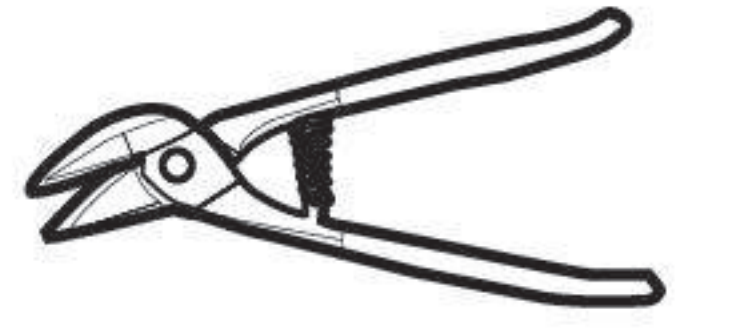
Tools and Materials Required (NOT SUPPLIED)



Electric Screwdriver



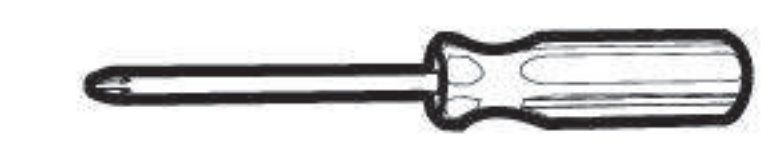
Scissors



Tin Snips



Hammer



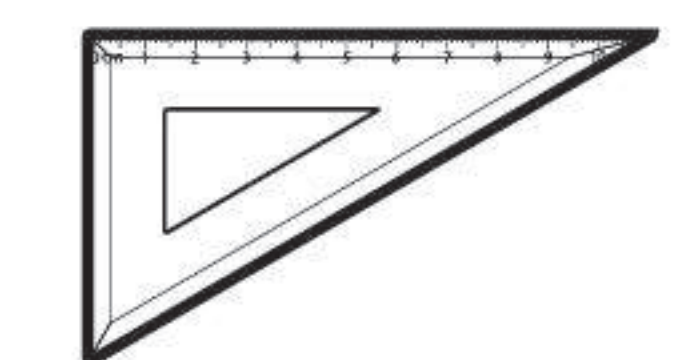
Philips Screwdriver



Tape Measure



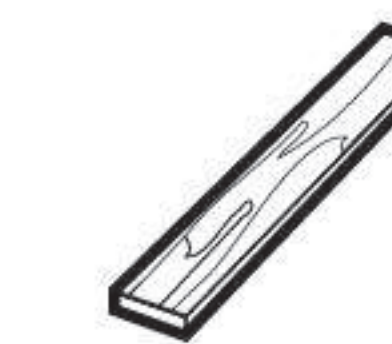
Pencil



Triangular Ruler



Gloves



Batten



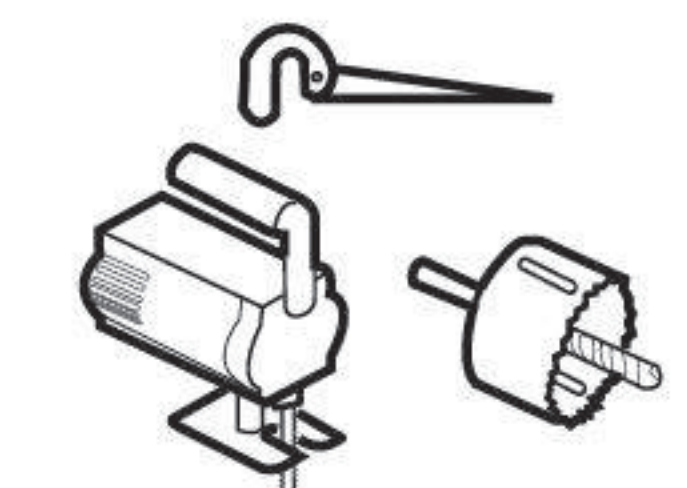
Tape



Gradienter



Electric Drill



Electric Saw



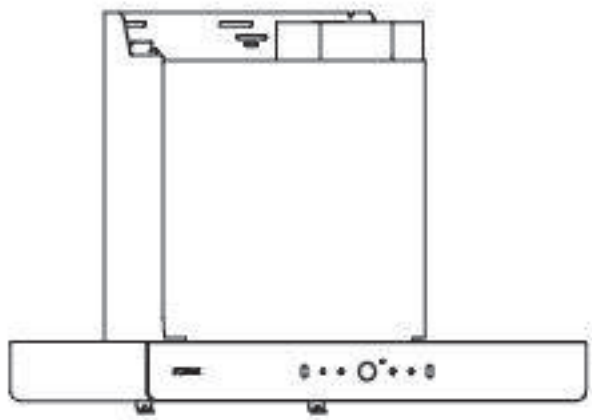
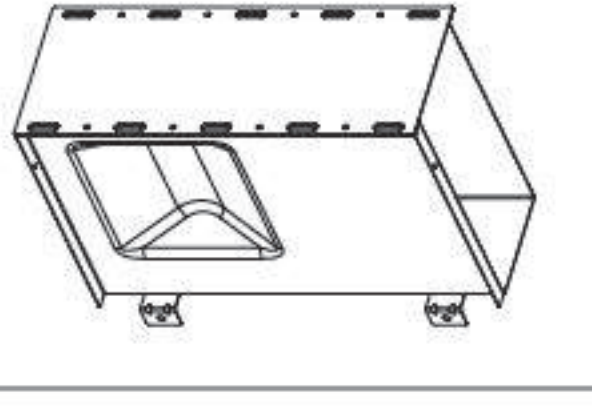
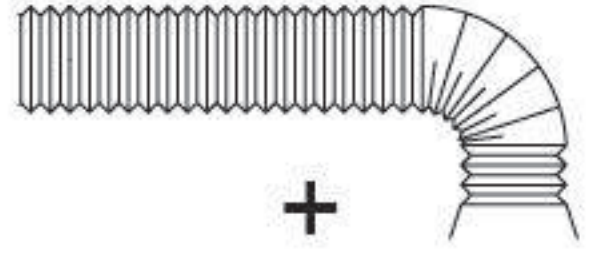



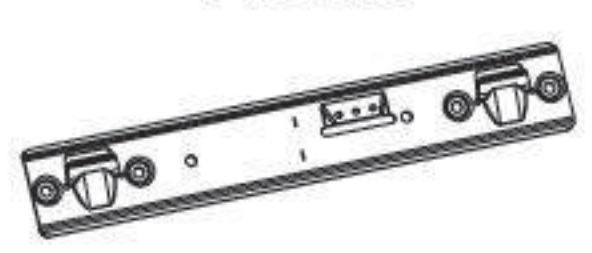
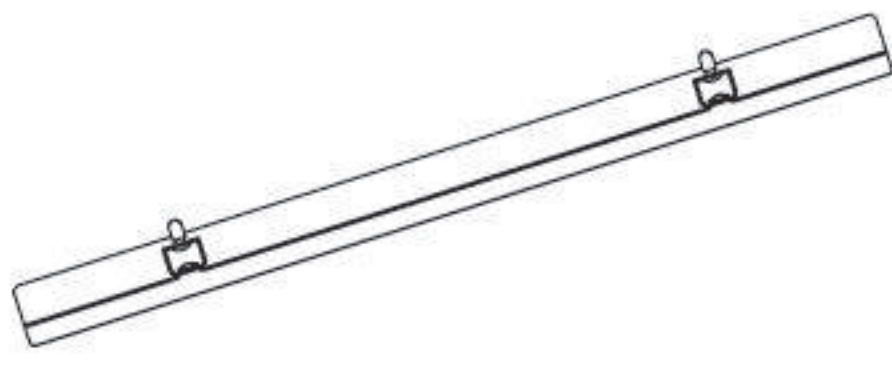


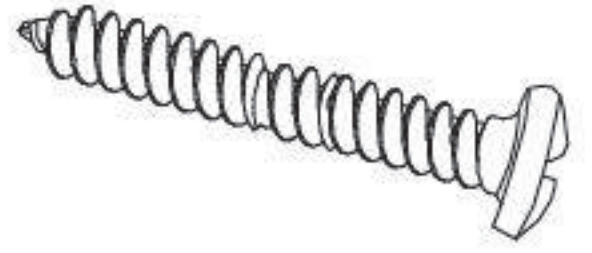

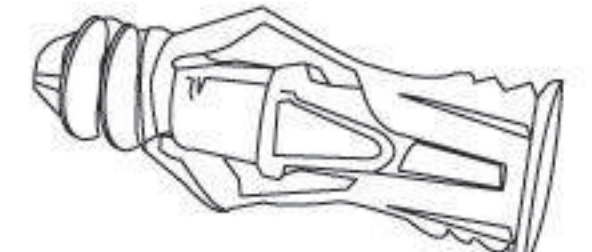

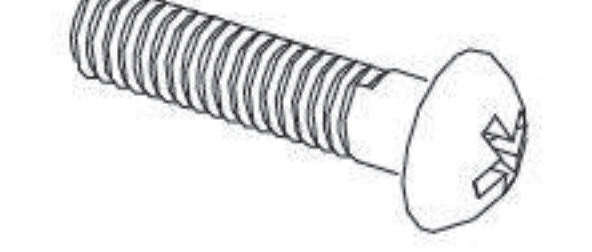
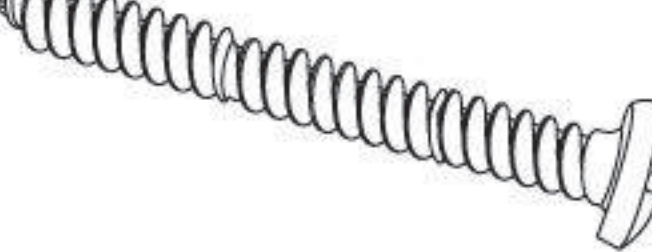
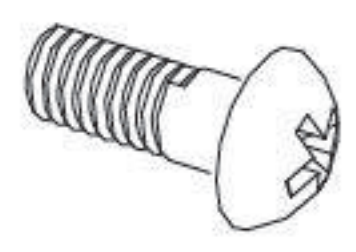
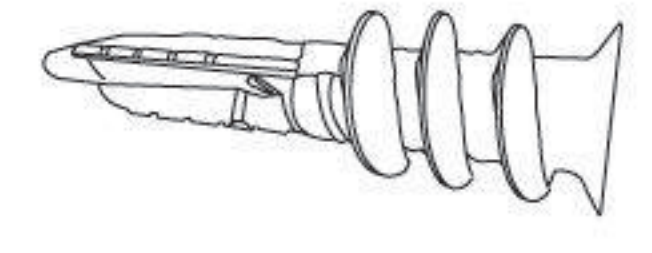

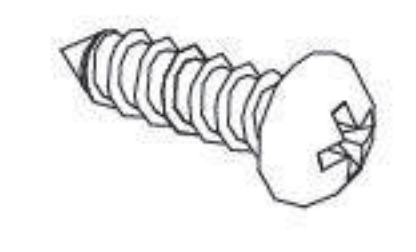
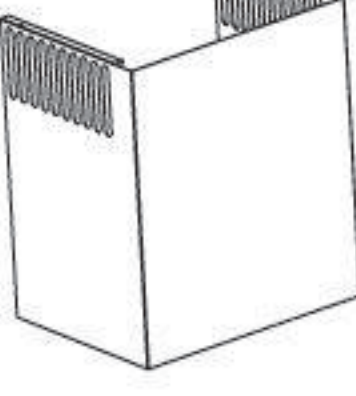
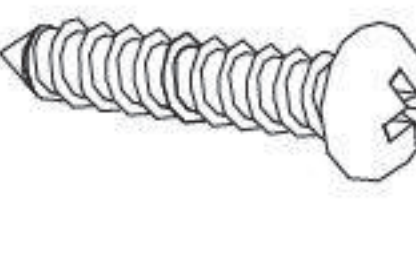
Wooden Stake Detector



Safety Goggles

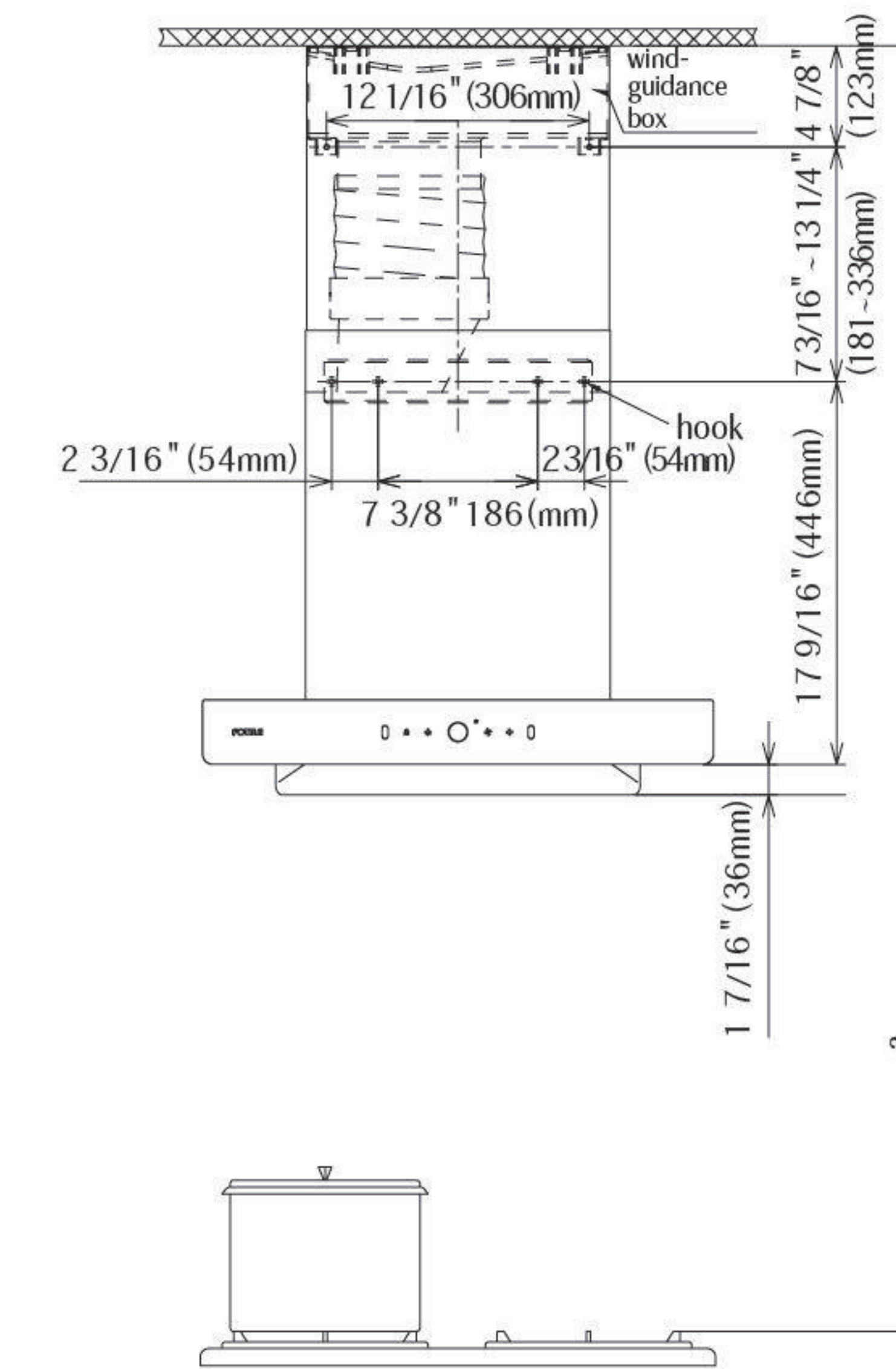
Accessories

Packing List

 <p>Product</p>	1	 <p>Wind-guidance box</p>	1
 <p>Exhaust duct</p>	1	 <p>Wing-like plate</p>	1
 <p>Foil tape</p>	1	 <p>Mesh filter</p>	1
 <p>Hook</p>	1	 <p>Wing-like plate rack</p>	1
 <p>Warranty card</p>	1	 <p>Outlet housing</p>	1
 <p>Hook screw #8×1 7/16" (ST4.2×36mm)</p>	7	 <p>Upper gasket</p>	1
 <p>Ceramic tile expansion tube Φ3/16"×1 5/8" (Φ5.3×32mm)</p>	7	 <p>Product instruction manual</p>	1
 <p>Screw for outlet housing #8×3/4" (M4×18mm)</p>	8	 <p>Wood screw #10×2 9/16" (ST5×65mm)</p>	4
 <p>Screw for fan frame #4×1/4" (M4×6mm)</p>	2	 <p>Ceramic tile expansion tube Φ3/16"×1 5/8" (Φ4×40mm)</p>	4
 <p>Motor cover</p>	1	 <p>Screw for exhaust duct #4×3/8" (ST3.9×9.5mm)</p>	4
 <p>Decorative cover</p>	1	 <p>Decorative cover screw #4×3/4" (ST2.9×19mm)</p>	2

Installation Guidance

Installation of Inner Circulating Type

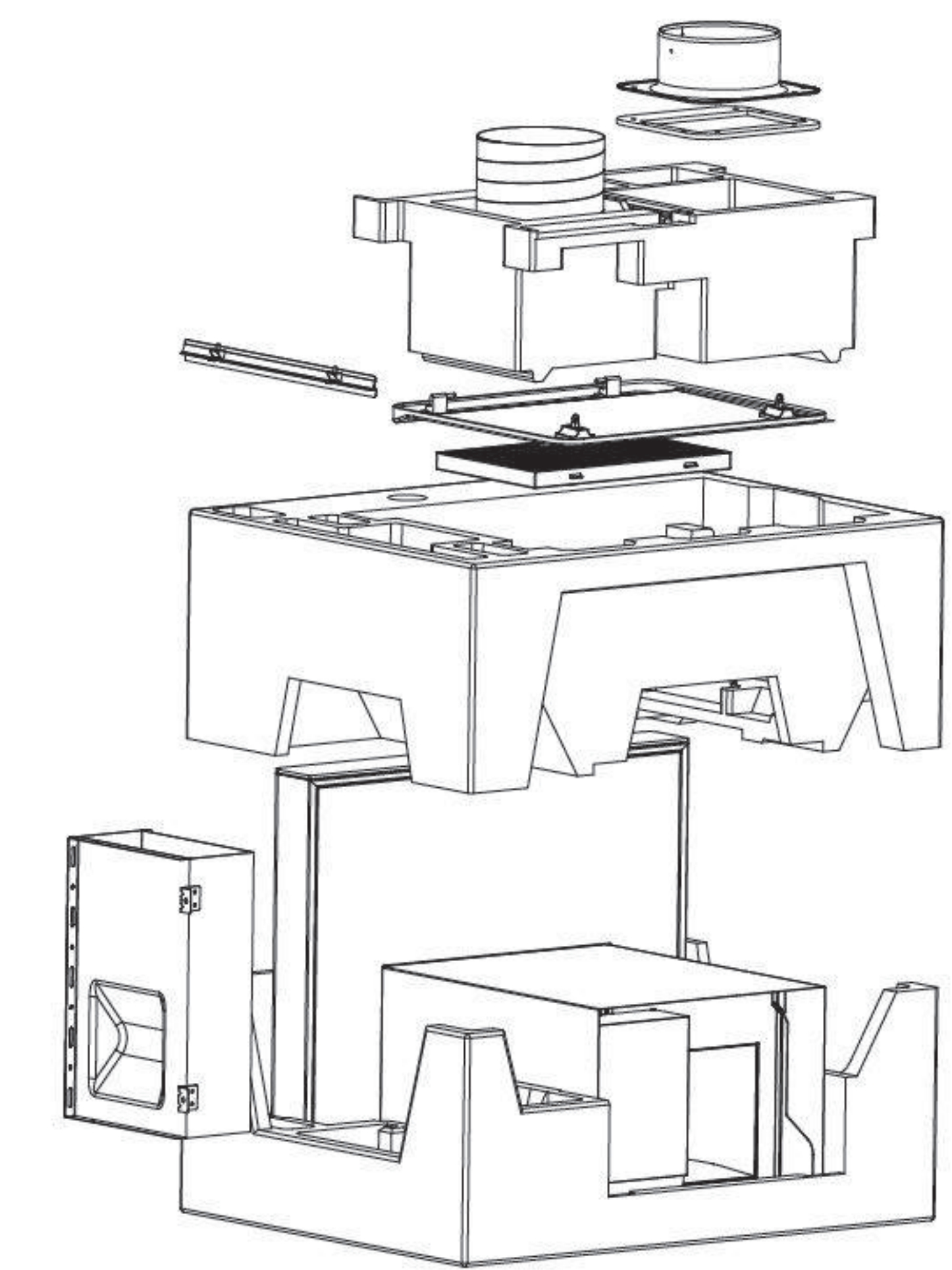


a=43" - 44 5/8" (1092mm~1132mm) (in USA)
a=44 5/8" - 46 9/16" (1132mm~1182mm) (in Canada)

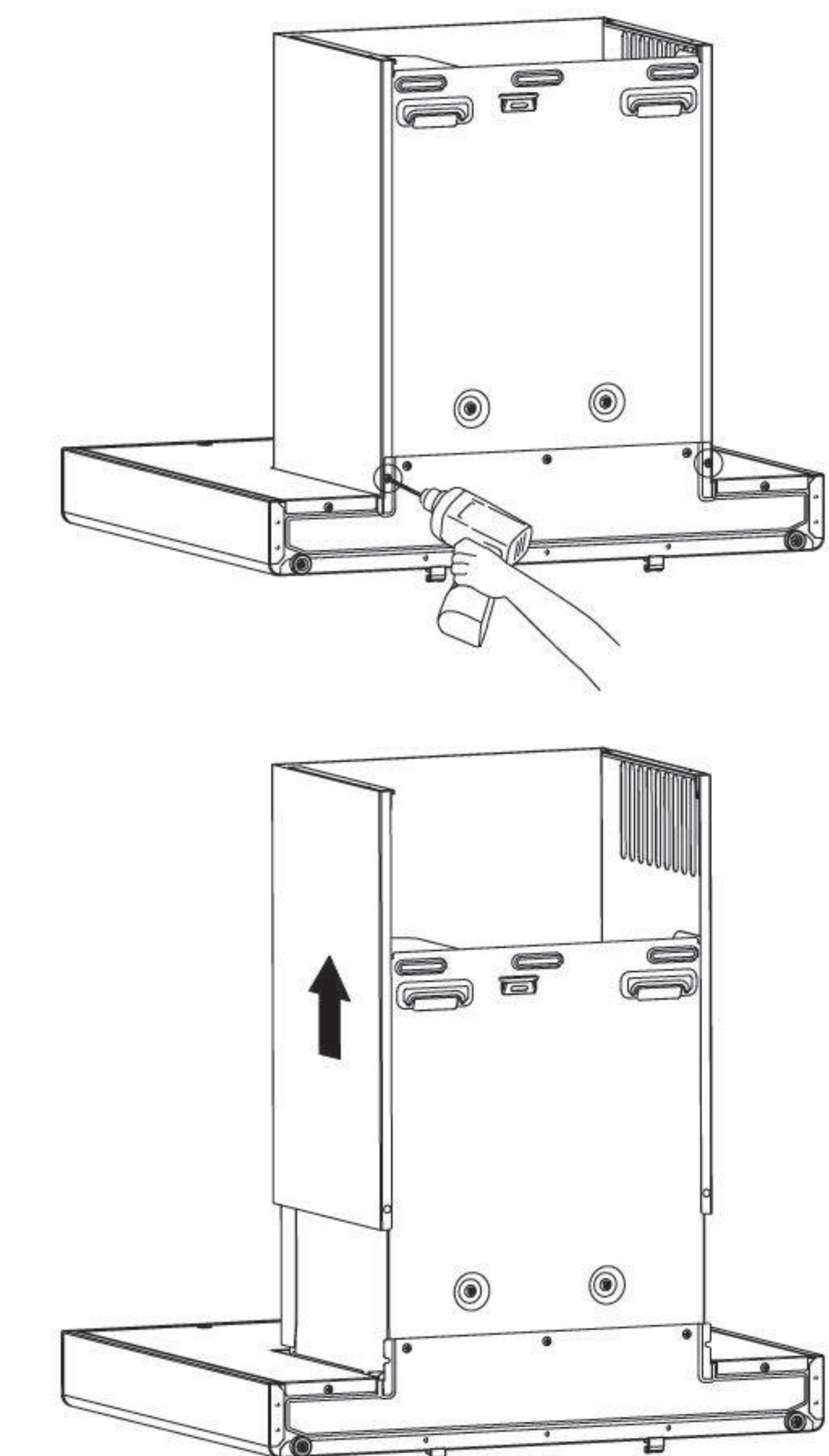
The installation height of the range hood (i.e. the distance between the supporting surface of the cooking appliance on the range and the lowest part of the range hood) is 24 1/16" ~ 25 5/8" (610mm~650mm) (in USA)/25 5/8" ~ 27 9/16" (650mm~700mm) (in Canada). The installation height is the recommended value, and the cupboard and the range hood shown in the figure is for reference only. When the installation height of this product (i.e. the distance between the supporting surface of the cooking appliance on the range and the lowest part of the range hood) is lower than 24 1/16" (610mm) (in USA)/25 5/8" (650mm) (in Canada), all parts below 24 1/16" (610mm) (in USA)/25 5/8" (650mm) (in Canada) are non-flammable parts of the range hood or parts working under safe and ultra-low voltage, and the deformation of these parts will not affect the protection against the touch of live parts. (If relevant laws in the region stipulate the installation height of range hood, it is recommended to abide by relevant laws, but the oil smoke suction effect of the product may be affected to some extent.)

1. Open the packing box and remove the main body, and check the packing list (see P18);
Note: Take out wing-like plate rack for backup. The

installation of wing-like plate requires the rack to be installed first.



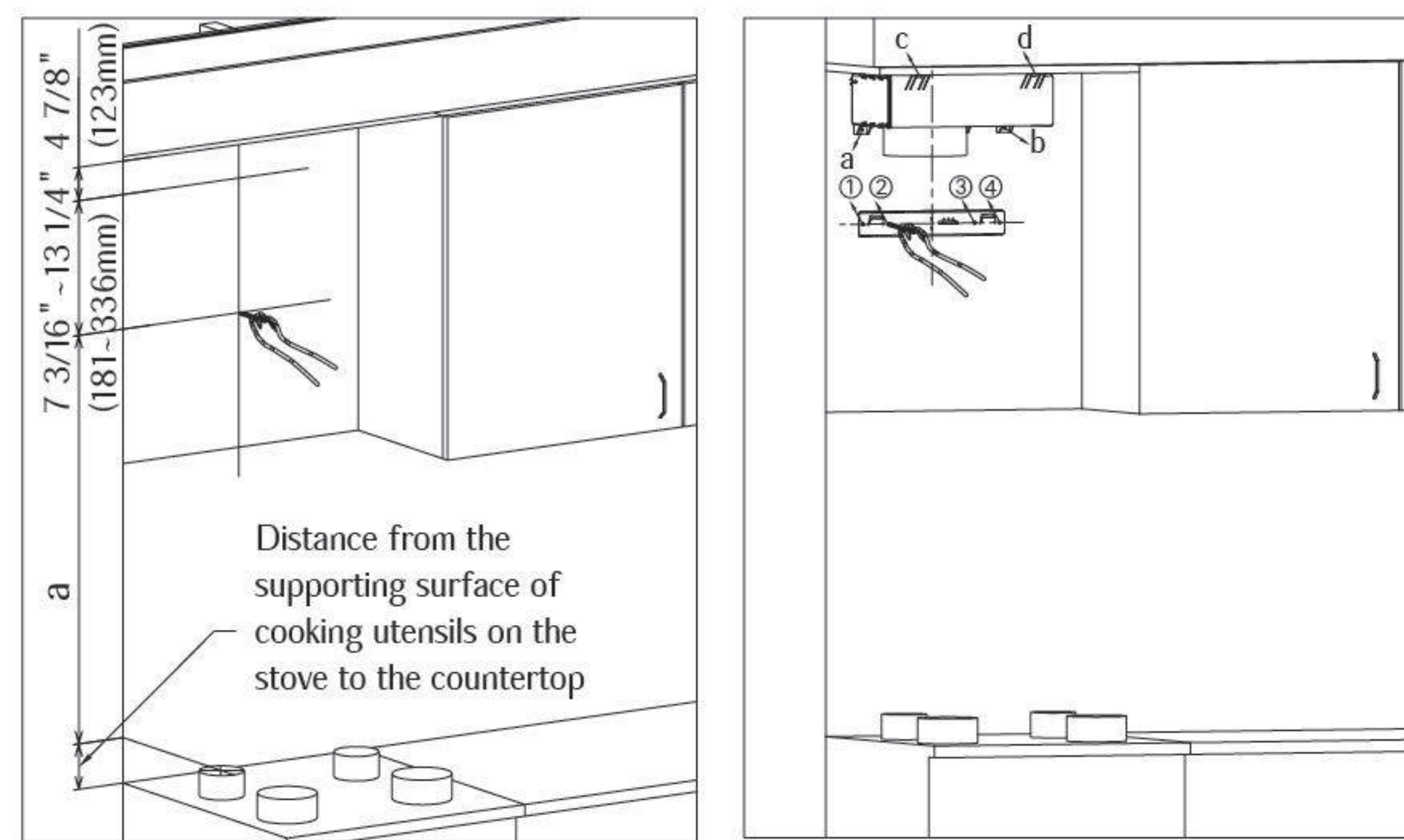
2. Remove the fan cover and decorative cover: remove the 2 screws that fix the fan cover behind the main body with a screwdriver, and then grab the fan cover and decorative cover with hands to take them out upward;



3. Confirm the position used to fix the hook of main body and wind-guidance box: first, draw a vertical center line at the center point where the range hood to be installed, then take the supporting surface of the cooking utensils on the stove as the reference point, accurately determine the installation position of the hook of main body and wind-guidance box on the wall, and make a punch mark.

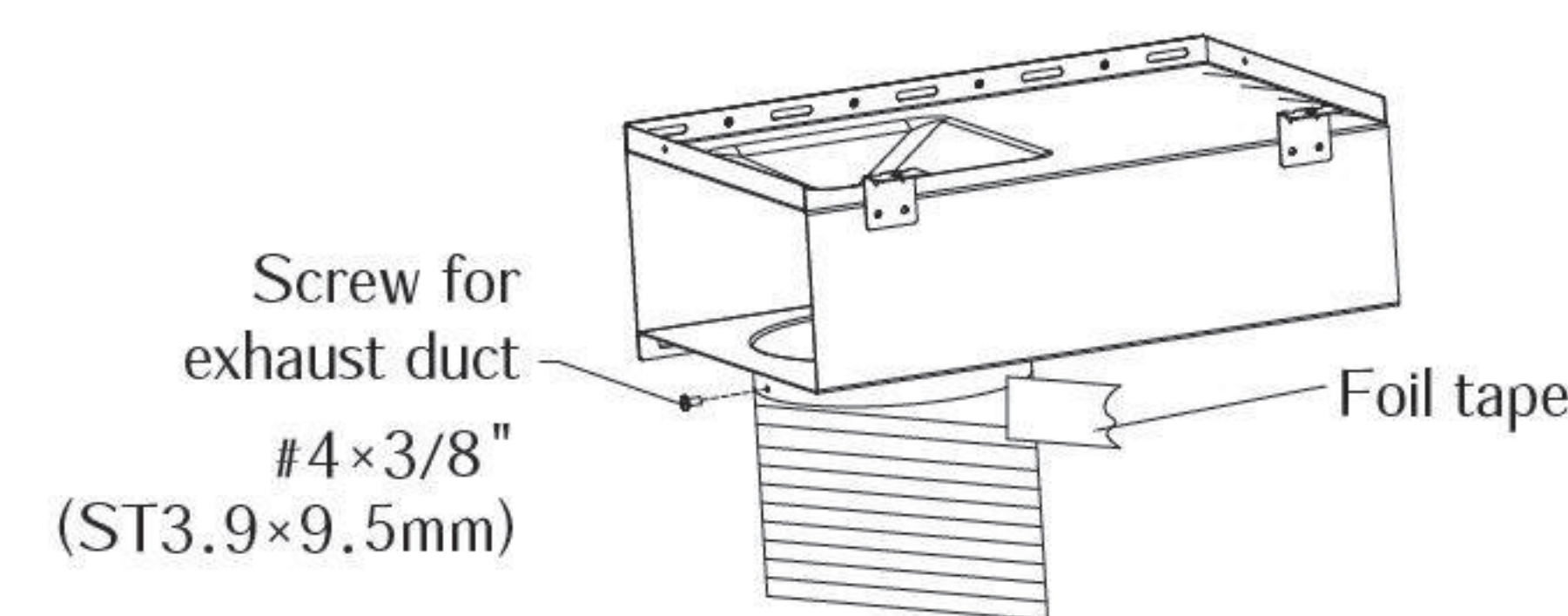
The hook size of the main body is 43"~44 5/8" (1092mm~1132mm) (in USA) /44 5/8"~46 9/16" (1132mm~1182mm)(in Canada) from the cooktop.

The size of the wind-guidance box: the top surface of the wind-guidance box shall be installed close to the ceiling, the screw hole at the lower end of the wind-guidance box shall be 118mm from the ceiling, and the screw hole from the screw hole of hook of main body to the screw hole at the lower end of the wind-guide box shall be ensured to be within the range of 7 3/16"~13 1/4" (181~336mm);



Note: If ceramic tile, marble or glass and other decorative plates are found to protrude from the mounting surface of the hook, please refer to Point 8 of "Installation Precautions" in P16 for operation.

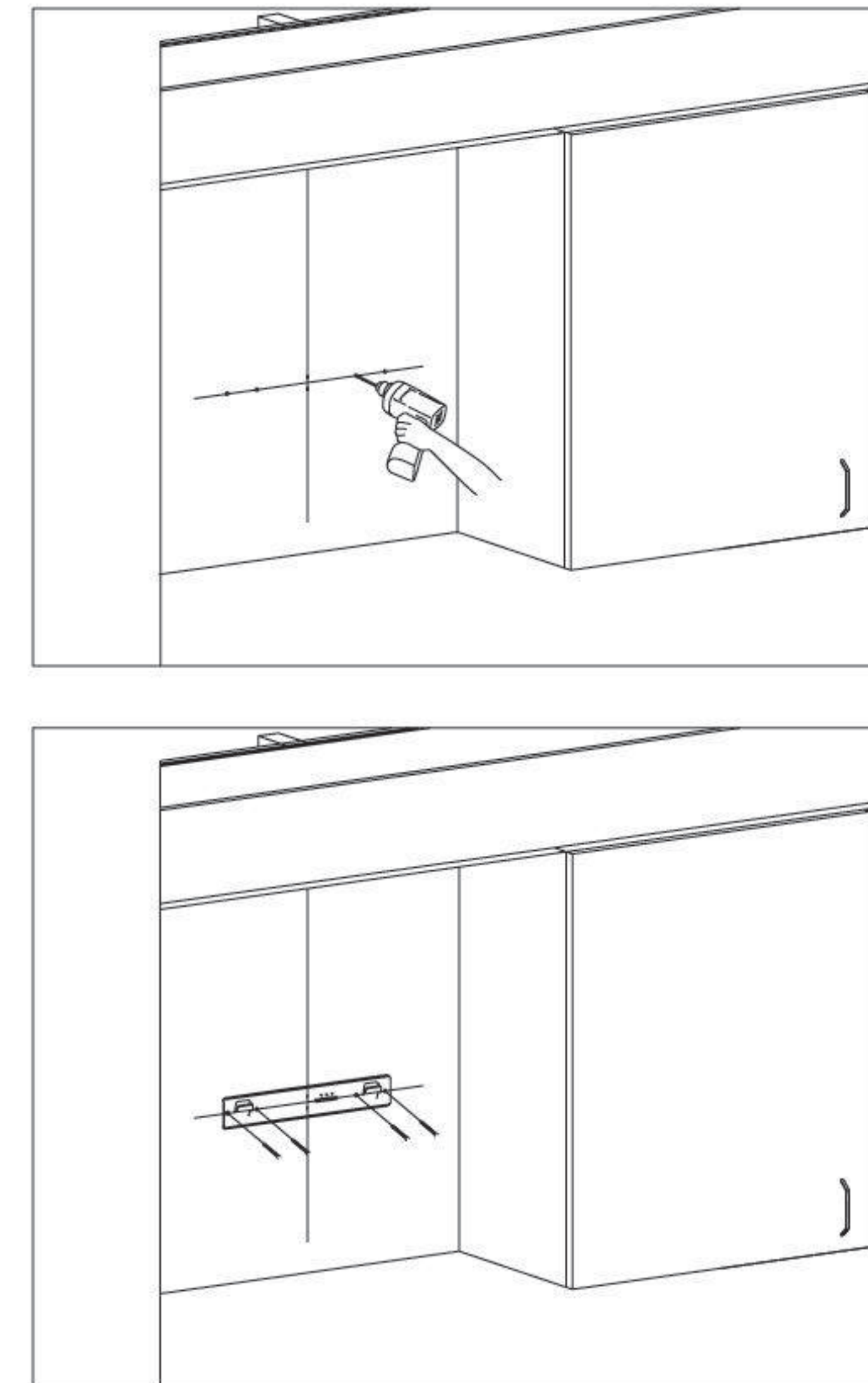
4. Firstly, fix the exhaust duct on the guide bellows with 2 exhaust duct screws #4×3/8" (ST3.9×9.5mm), and then, seal and fix them with aluminum tape.



5. Fix the hook of main body:

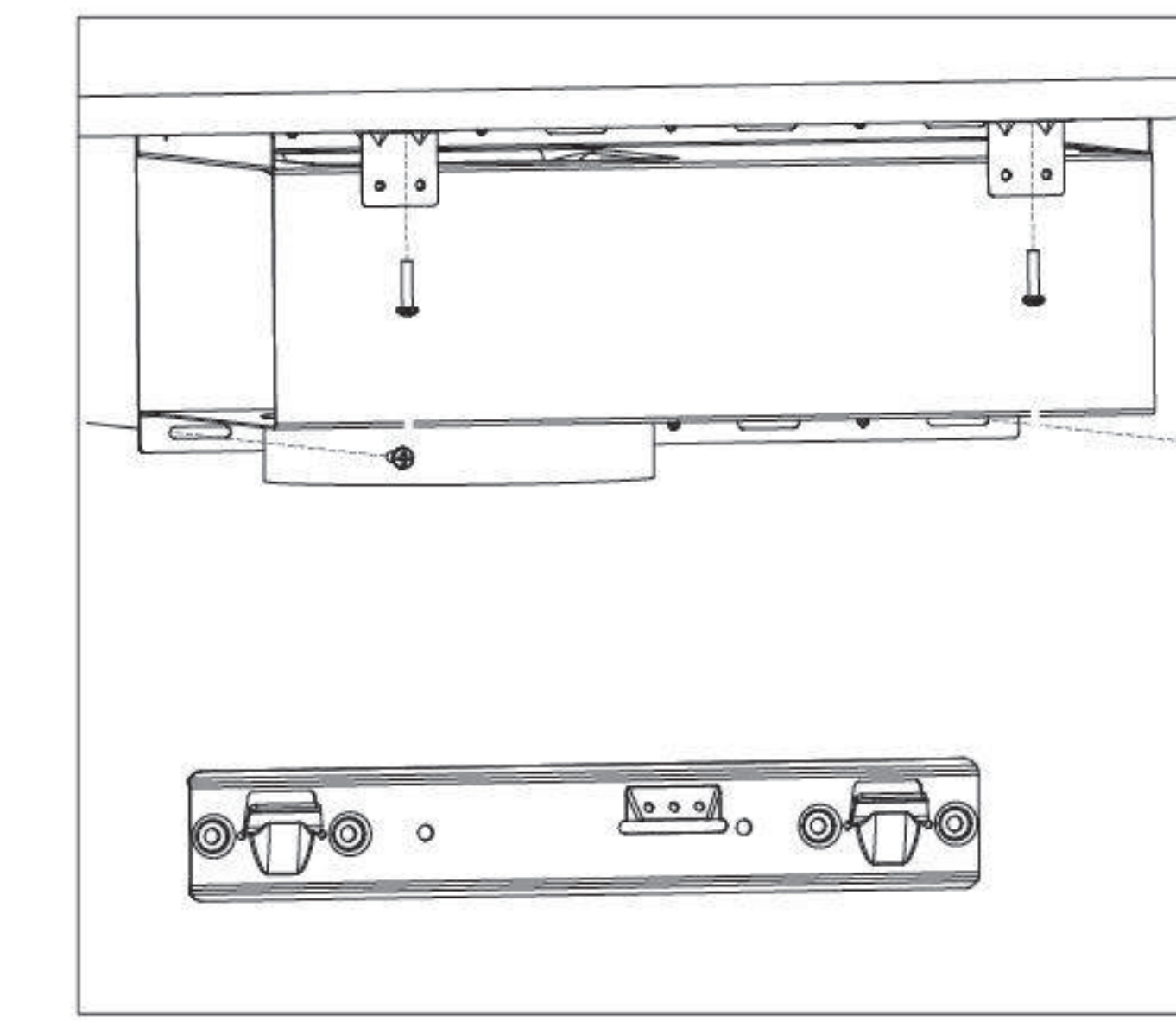
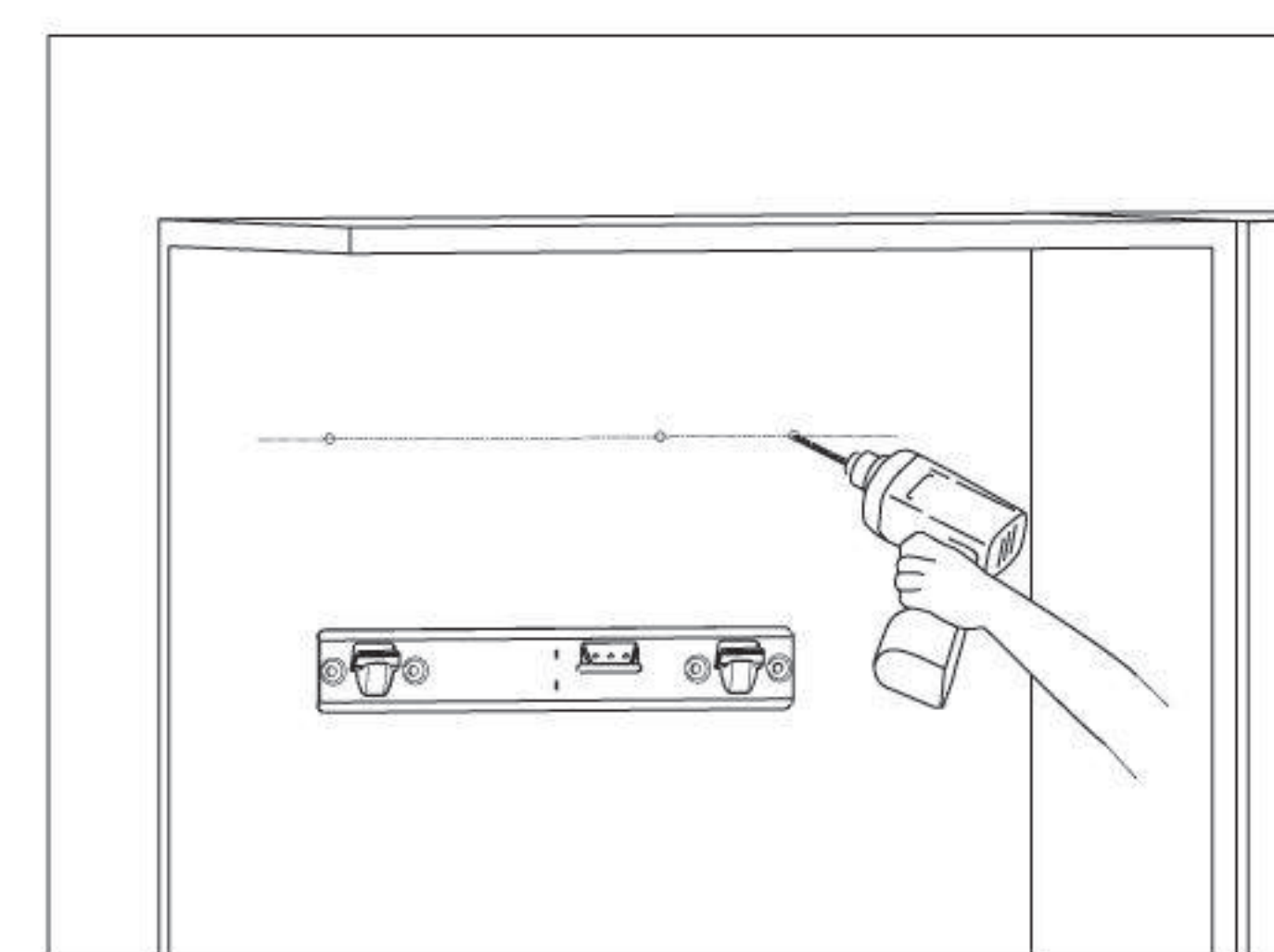
1) Ceramic tile (marble) at the drilling mark: drill $\Phi 3/8"$ ($\Phi 8\text{mm}$) hole at the drilling mark with electric drill, then embed the ceramic tile expansion tube $\Phi 3/16" \times 1 5/8"$ ($\Phi 5.3 \times 32\text{mm}$), fix the hook with the hook screw #8×1 7/16" (ST4.2×36mm), and make sure the hook is level with a level bar.

2) Gypsum board at the drilling mark: screw the gypsum board expansion tube $\Phi 3/16" \times 1 5/8"$ ($\Phi 4 \times 40\text{mm}$) directly into the wall surface with a screwdriver at the drilling mark, then fix the hook with the hook screw #8×1 7/16" (ST4.2×36mm), and use a spirit level to make sure the hook is level.

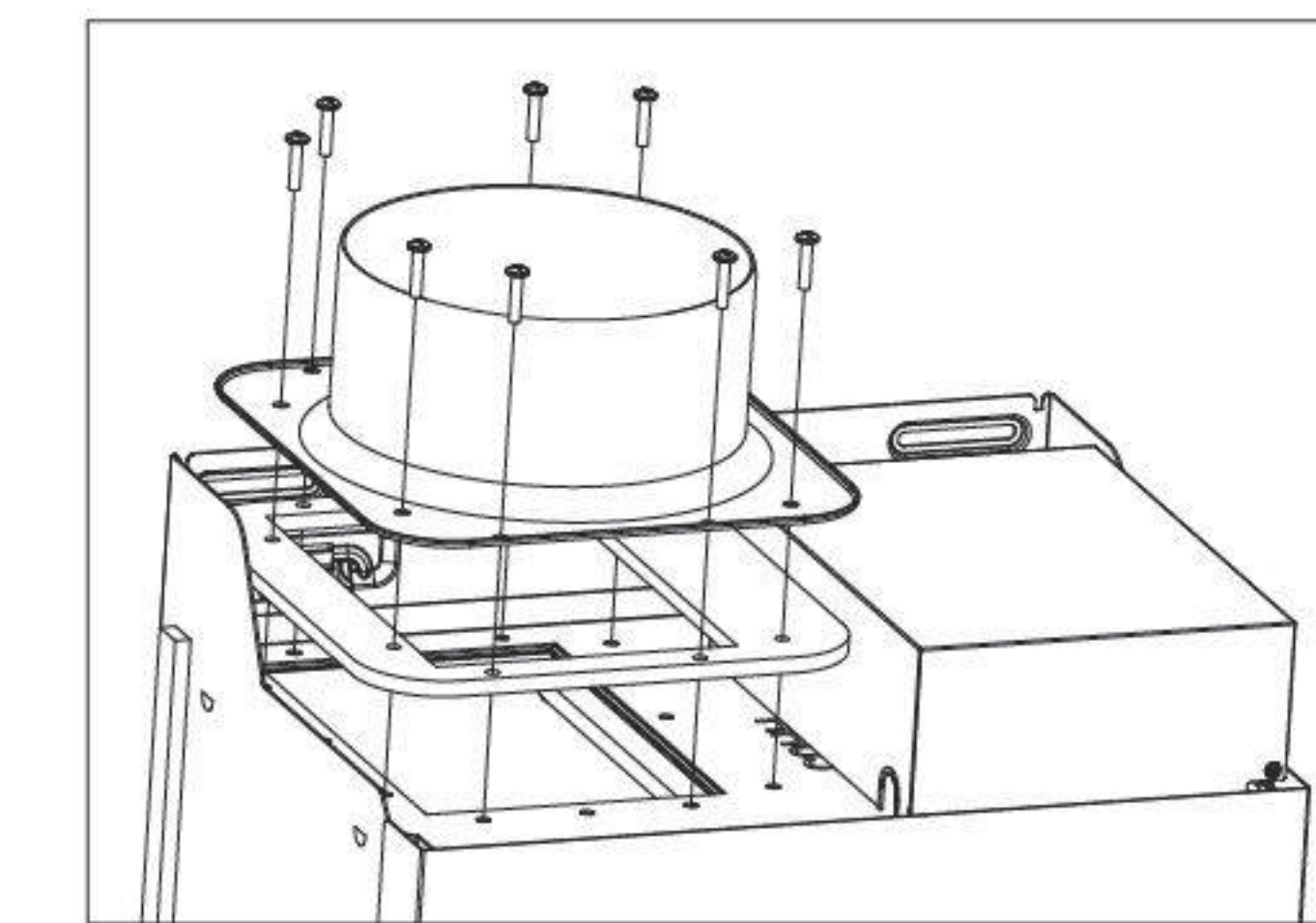


Note: After cleaning with strong acid/alkali detergent or dish washing powder, it may cause the change of color of the front filter screen, but it does not affect the use.

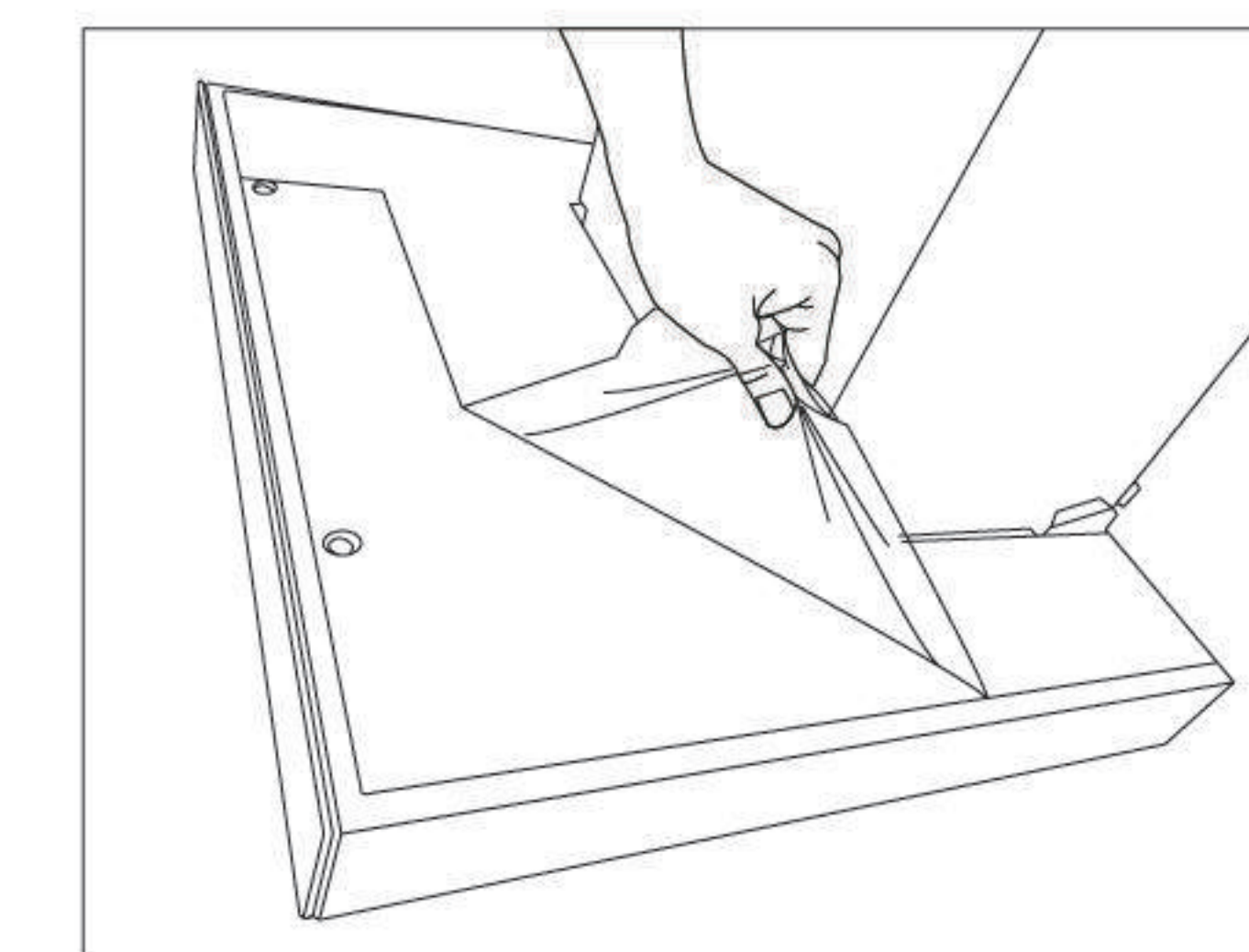
6. Fix the wind-guidance box: directly screw the gypsum board expansion tube $\Phi 3/16" \times 1 5/8"$ ($\Phi 4 \times 40\text{mm}$) into the wall surface with a screwdriver at the drilling mark (2 on the back wall and 2 on the ceiling), and then fix the wind-guidance box with the hook screw #8×1 7/16" (ST4.2×36mm);



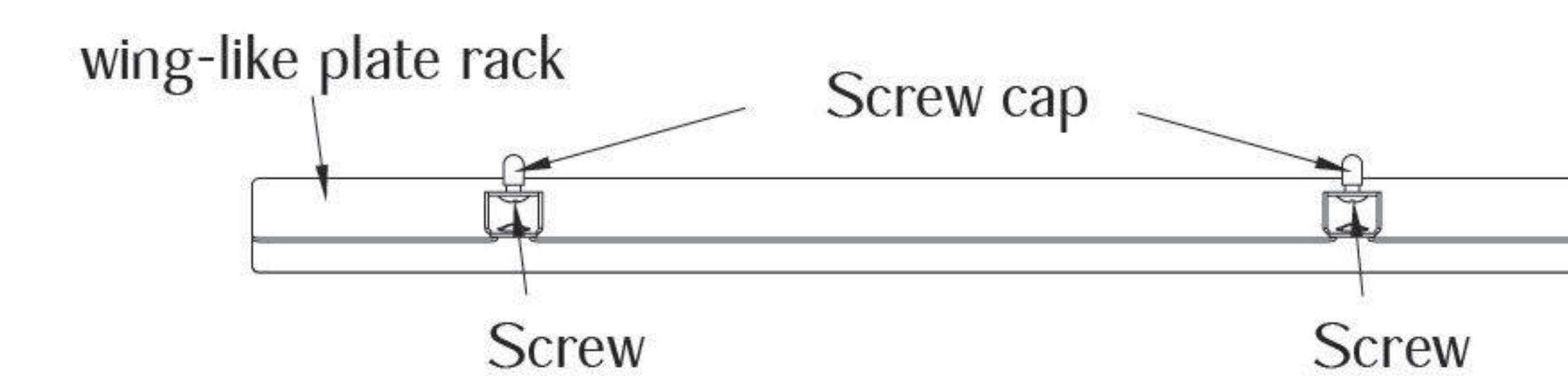
7. Install the hood: fix the hood and sealing ring at the air outlet of the main body with 8 screws #8×3/4" (M4×18mm);



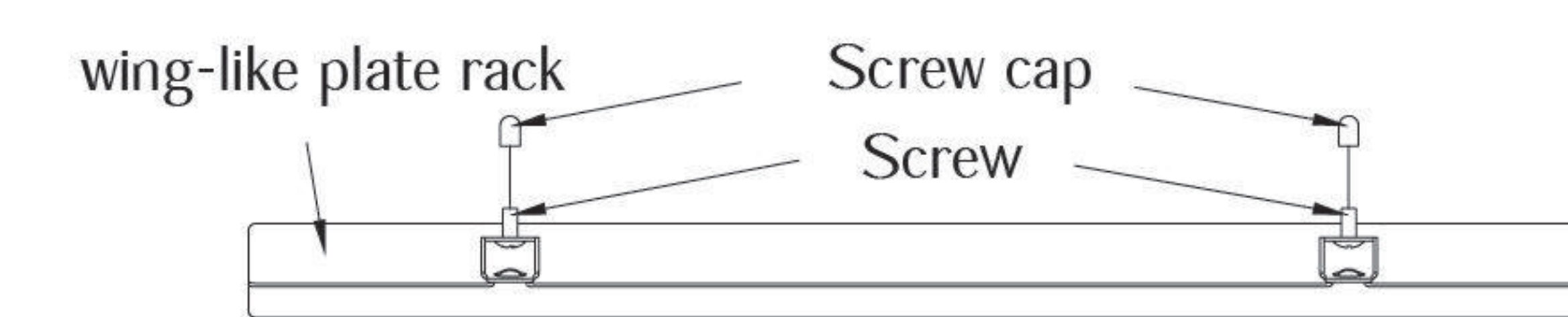
8. Remove the protective film from the top plate surface;



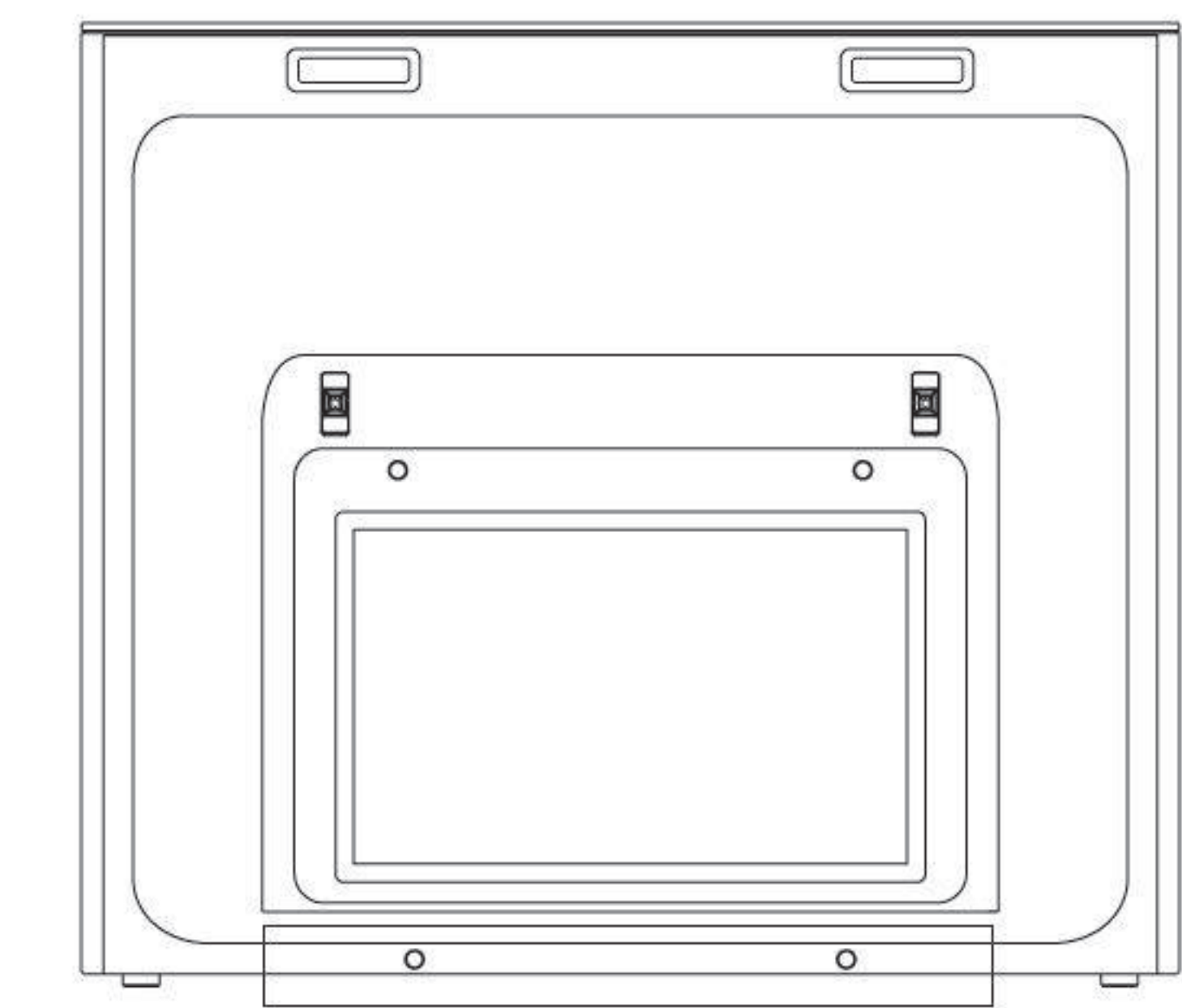
9. Installation the wing-like plate rack;
1) Remove the components of the rack;



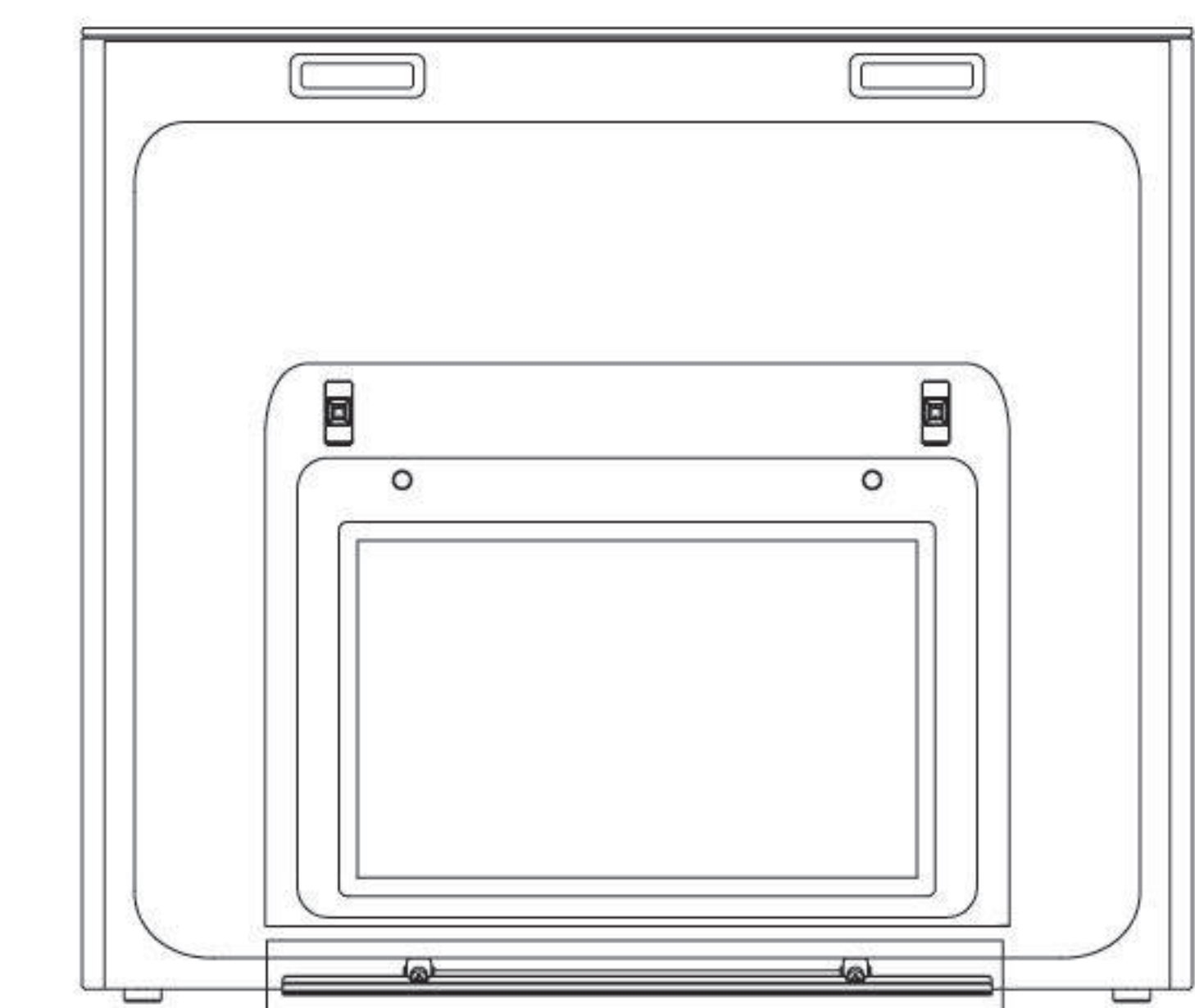
2) Remove the screw cap;



3) Fix the components of the rack to the bottom of the range hood with a cross screwdriver.

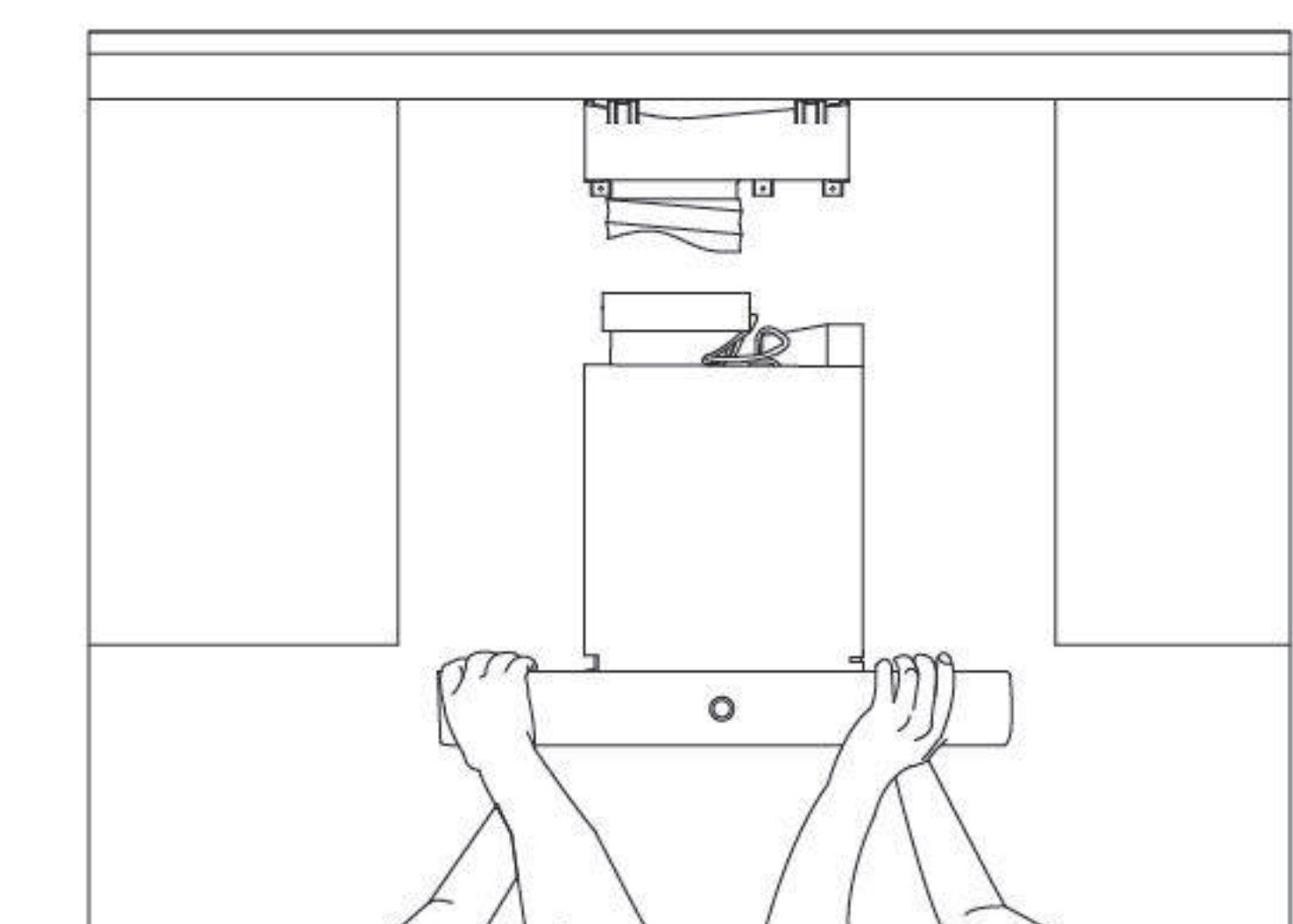
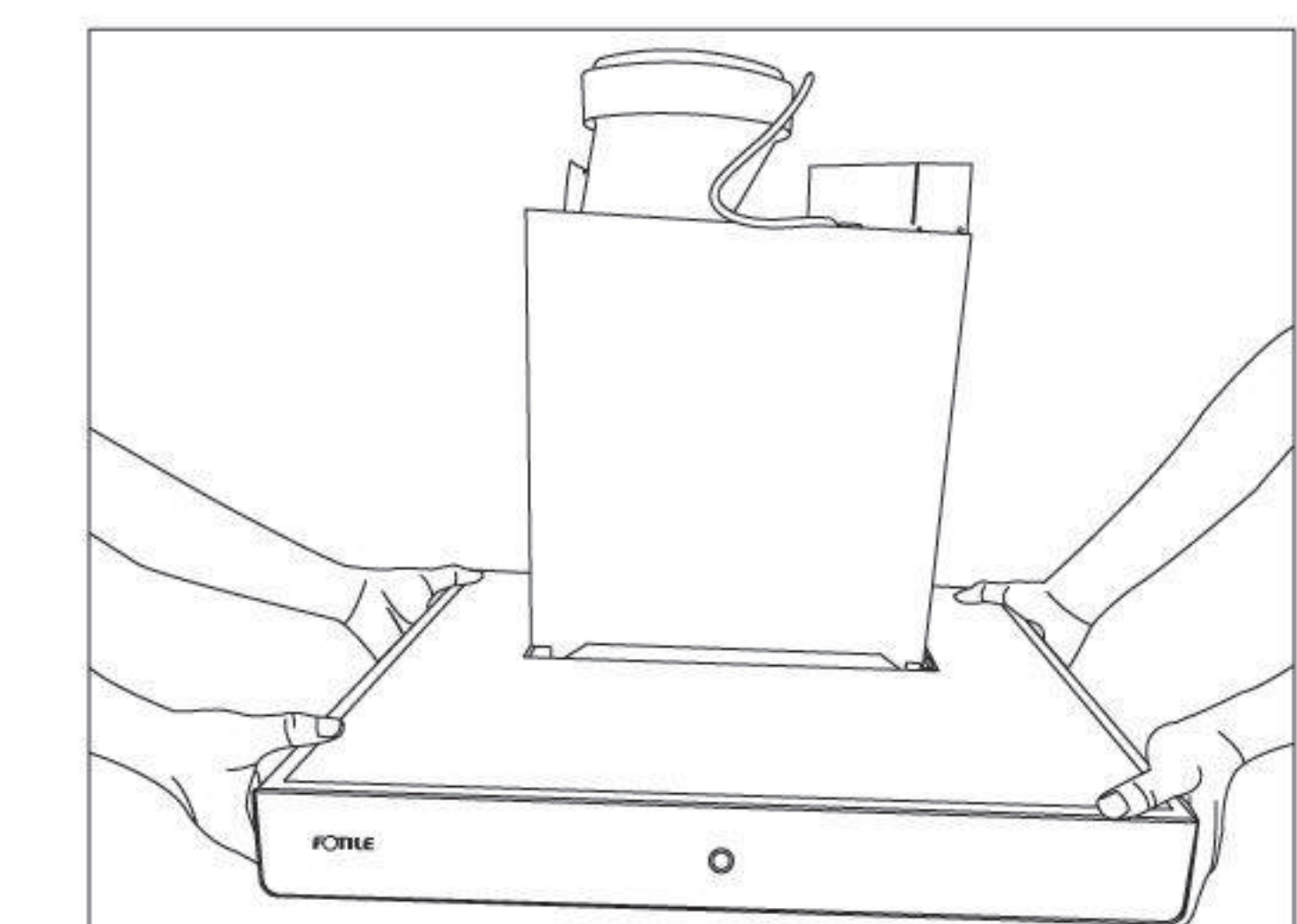


Before installation



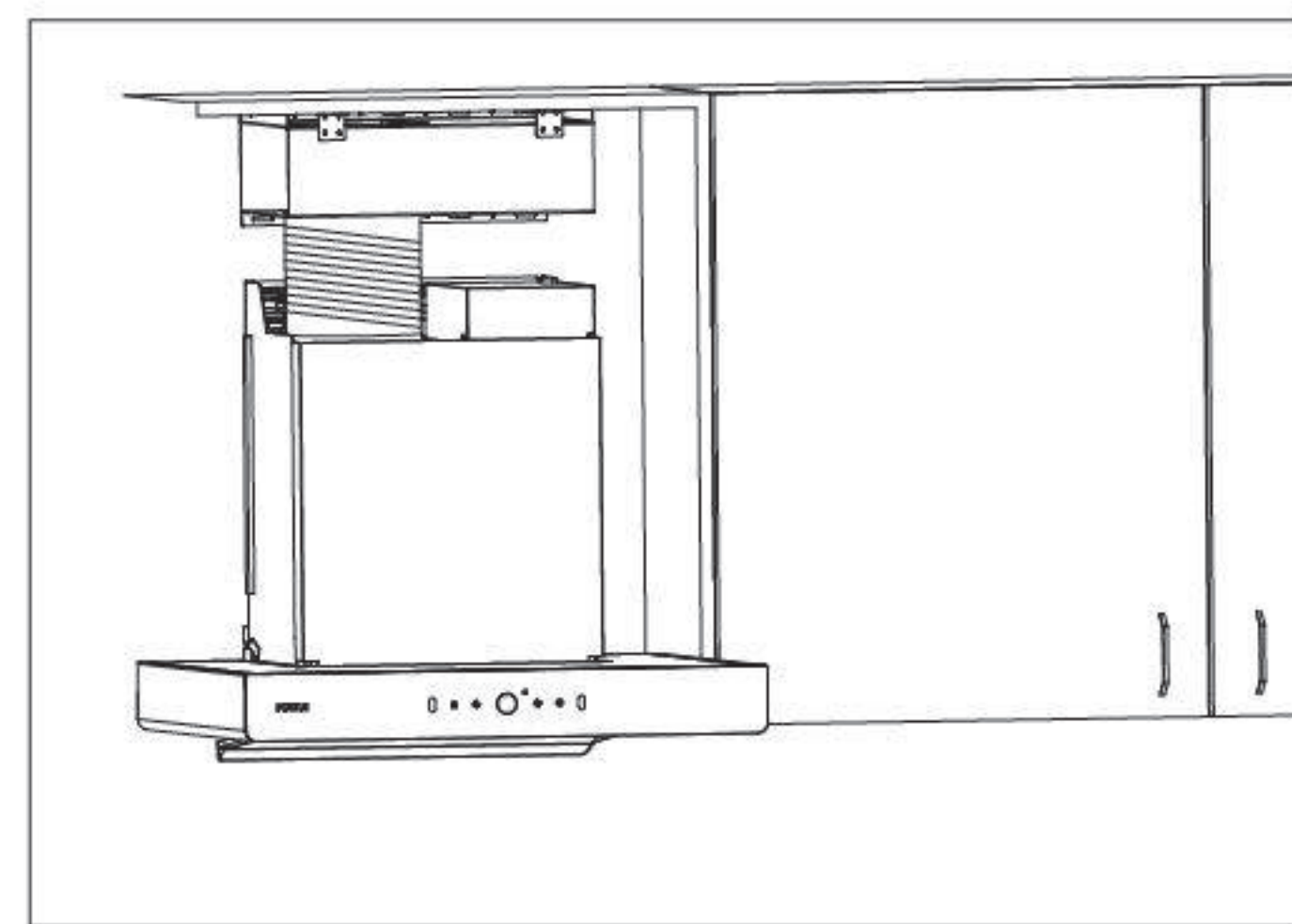
After installation

10. Lift the main body, hang the back hook hole onto the hook, confirm the level of the main body with a level bar, and fix the fan frame and the hook with the fan frame screw #4×1/4" (M4×6mm);

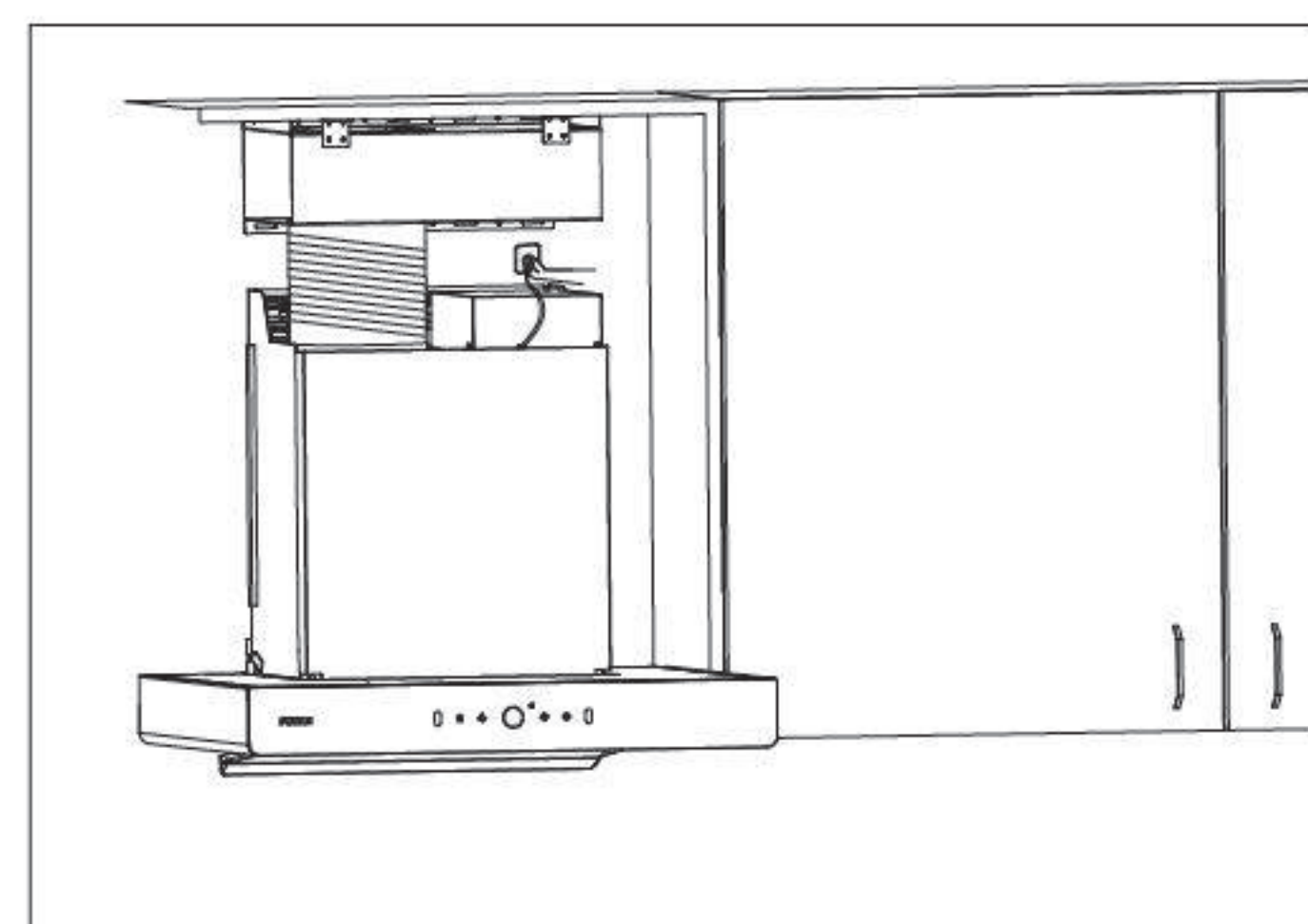




11. Connect and fix the duct: wrap and seal with foil tape;

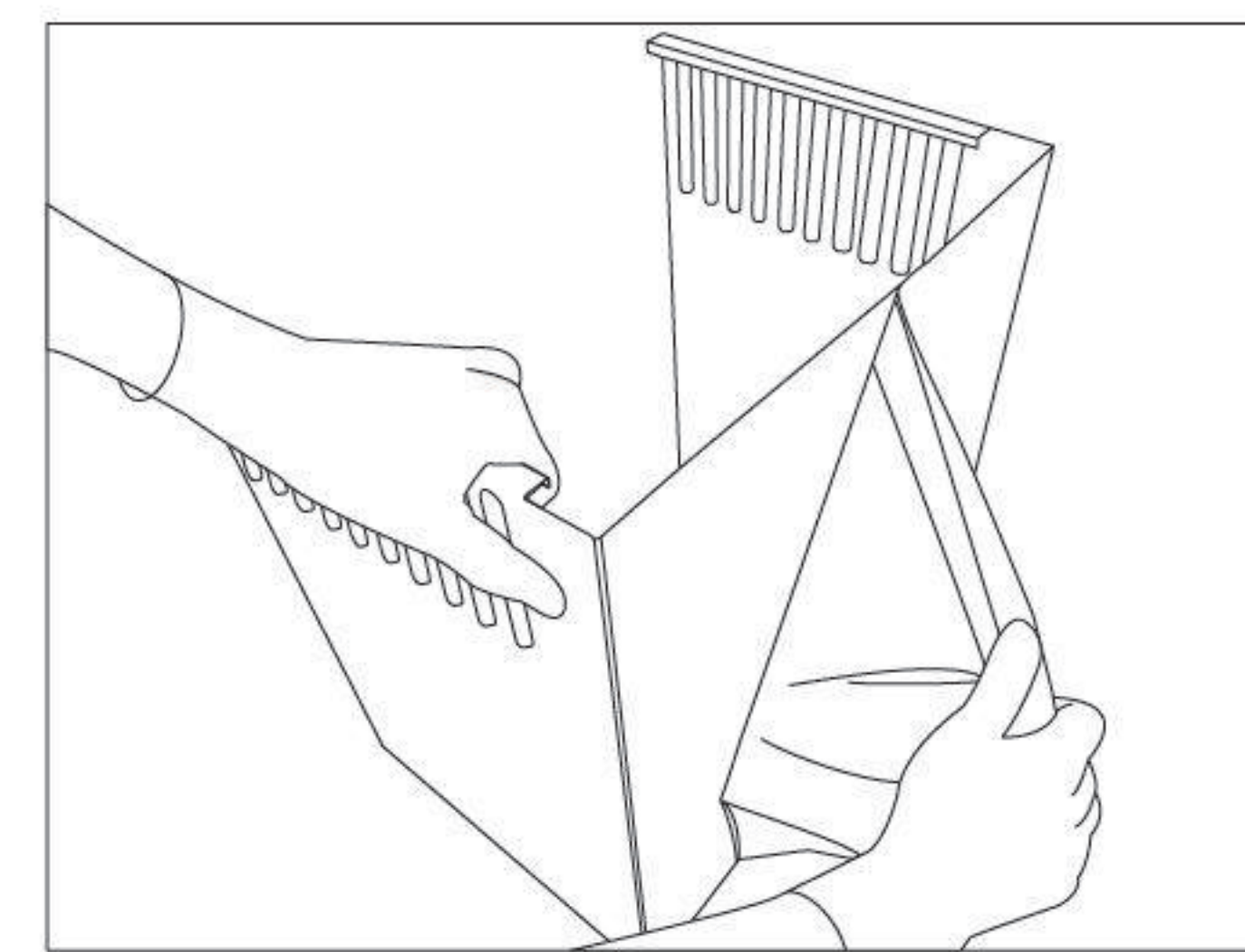
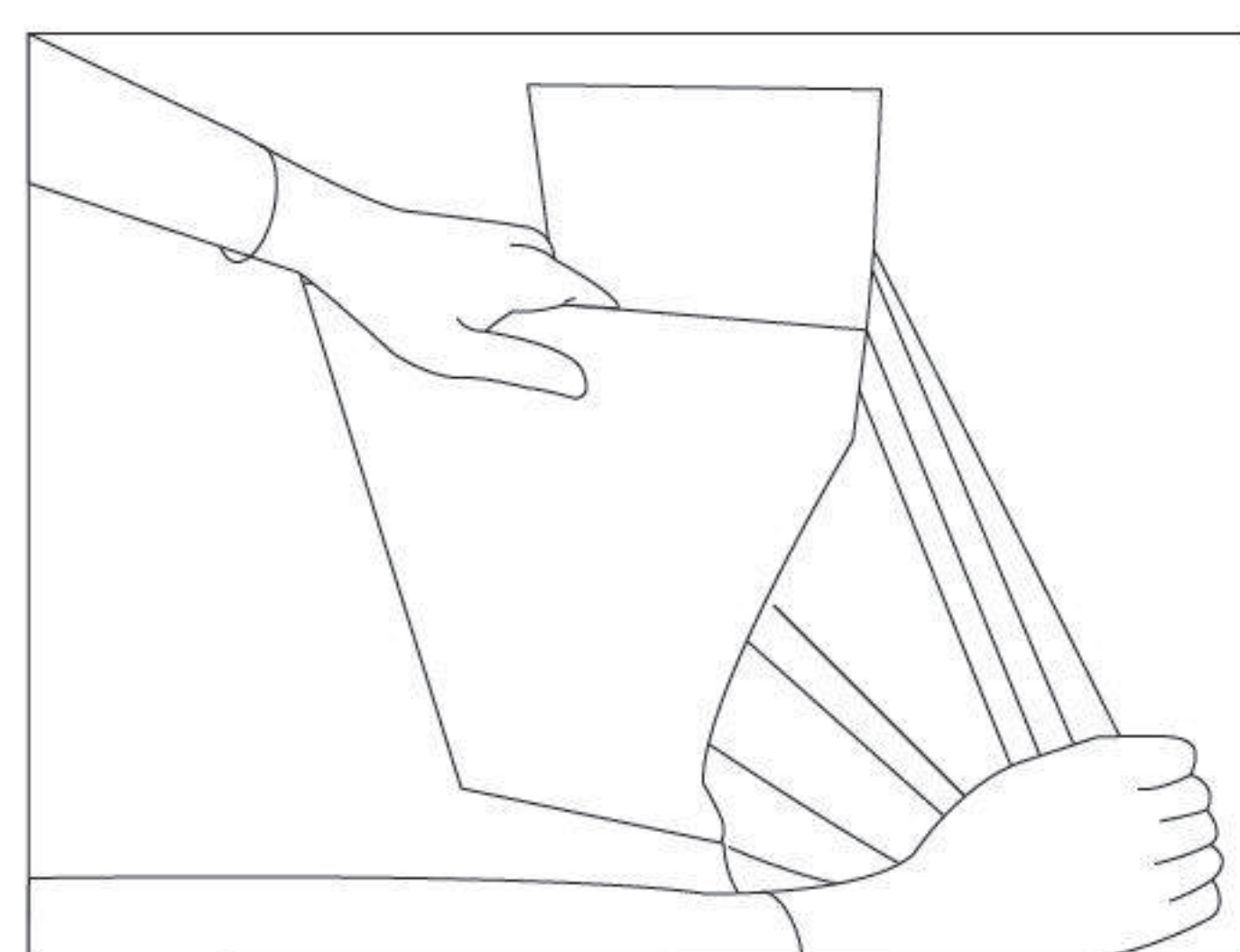


12. Insert the power plug, start the range hood, and check whether the connection between the exhaust duct and the exhaust hood is sealed in good condition;

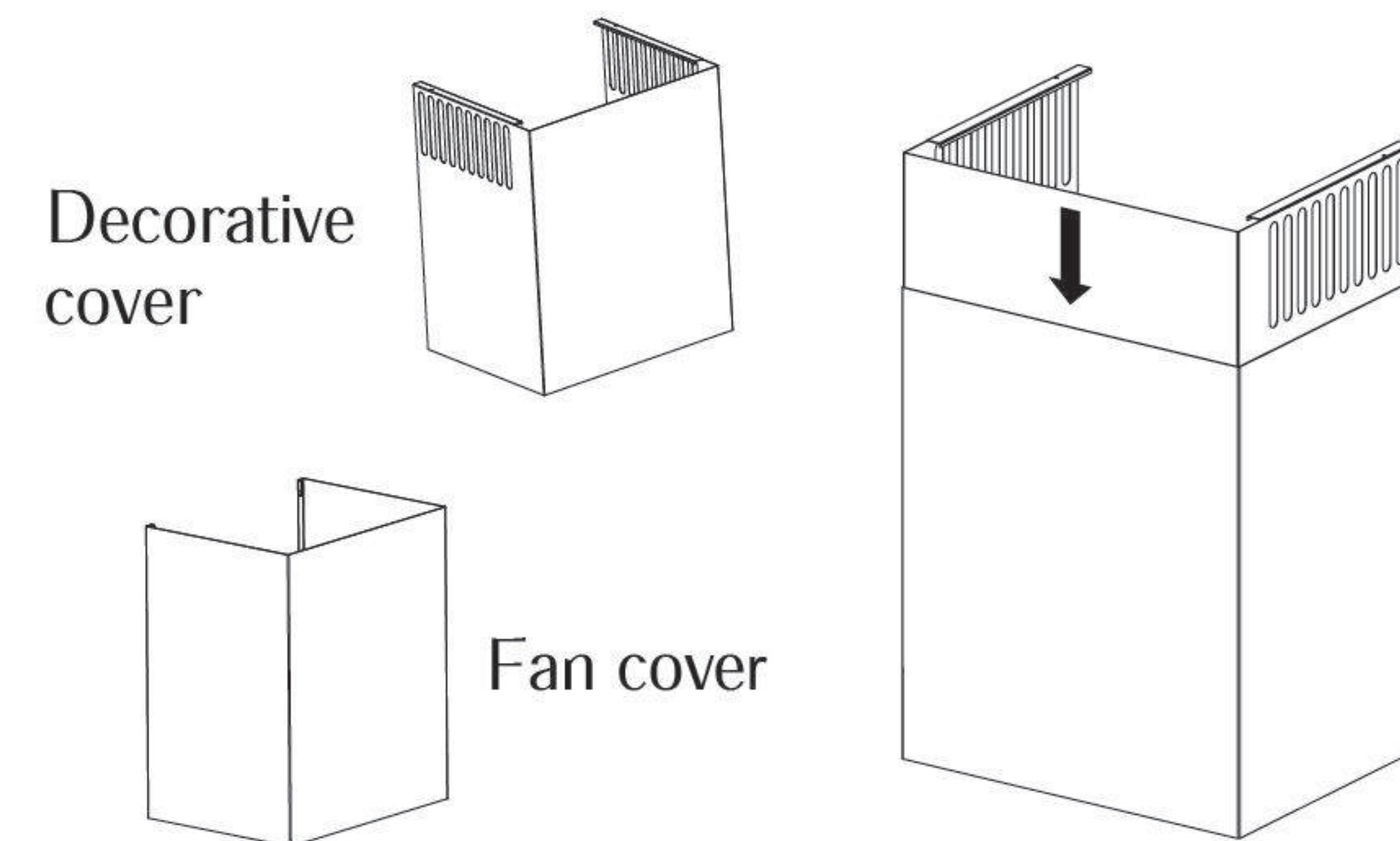


13. Install the fan cover and decorative hood :

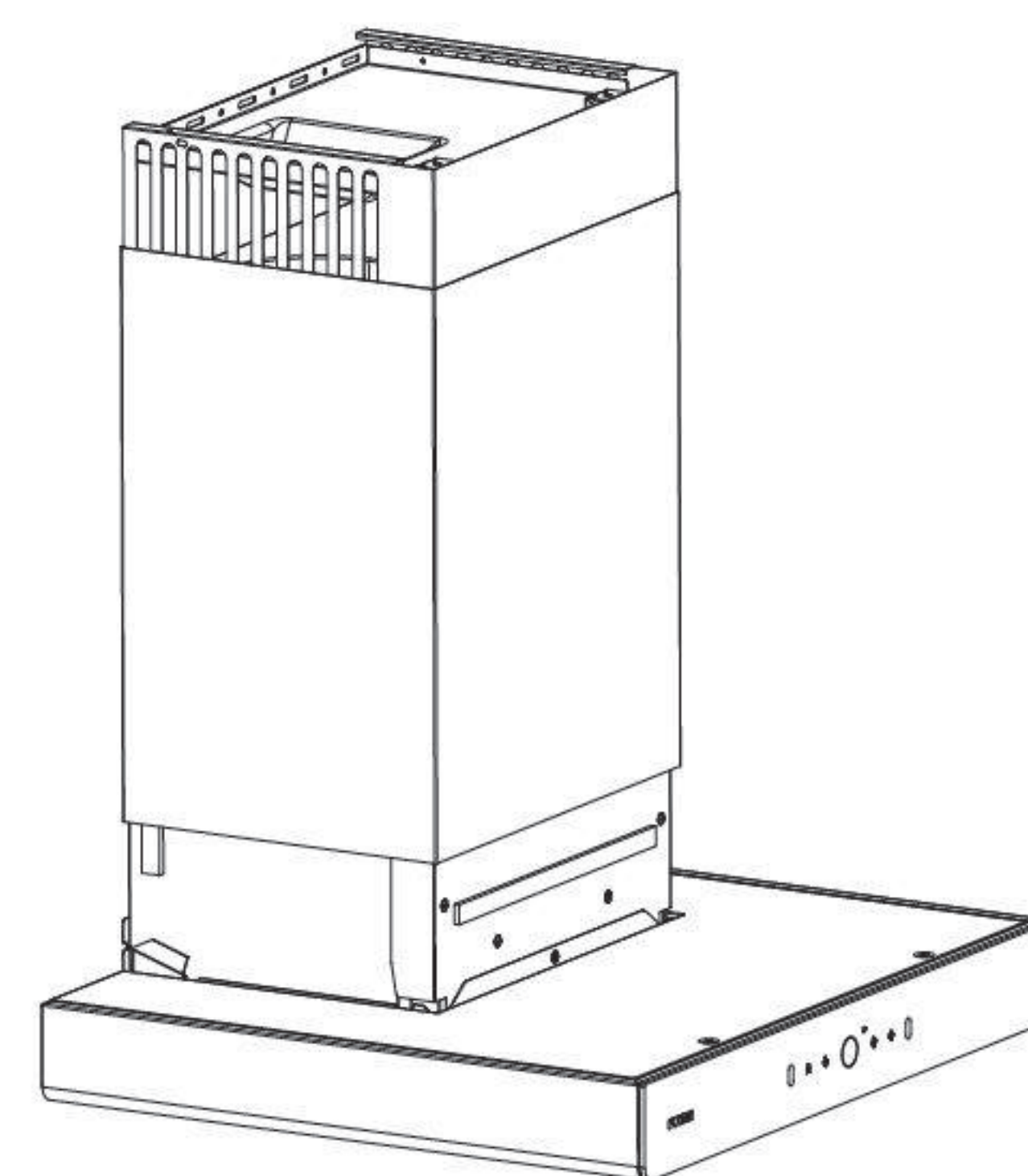
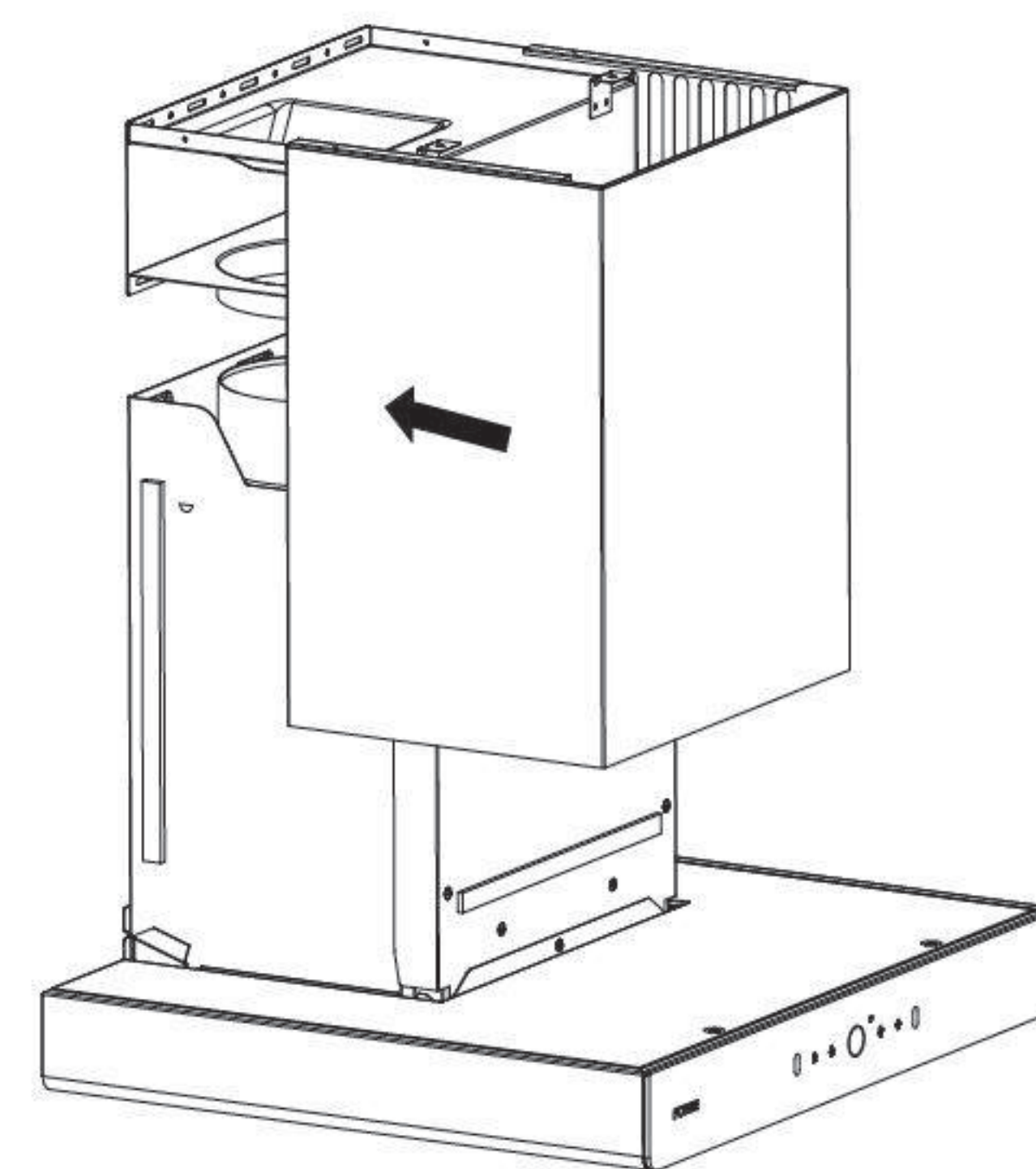
1) Remove the protective film from the surface of fan cover and decorative hood;



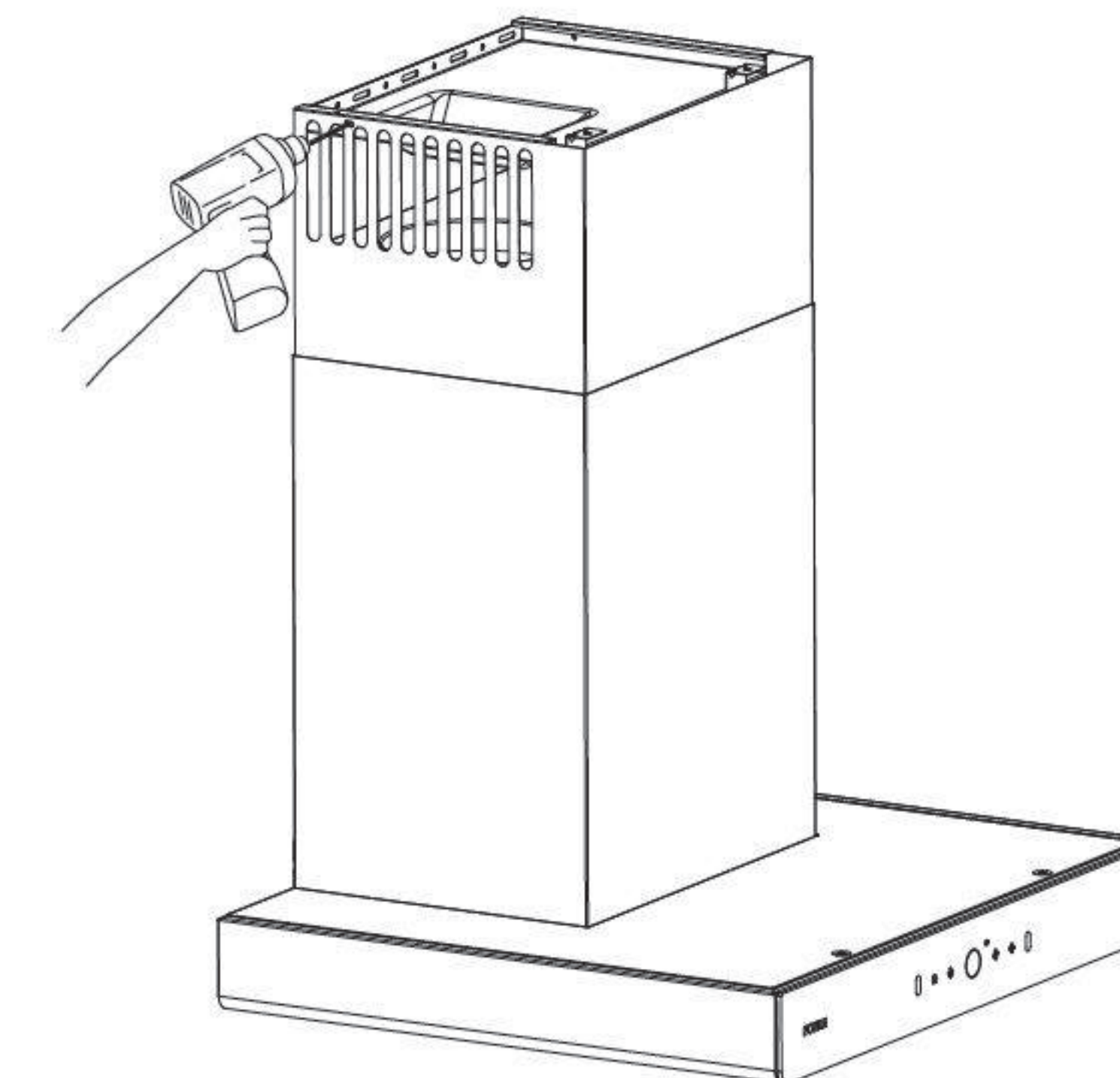
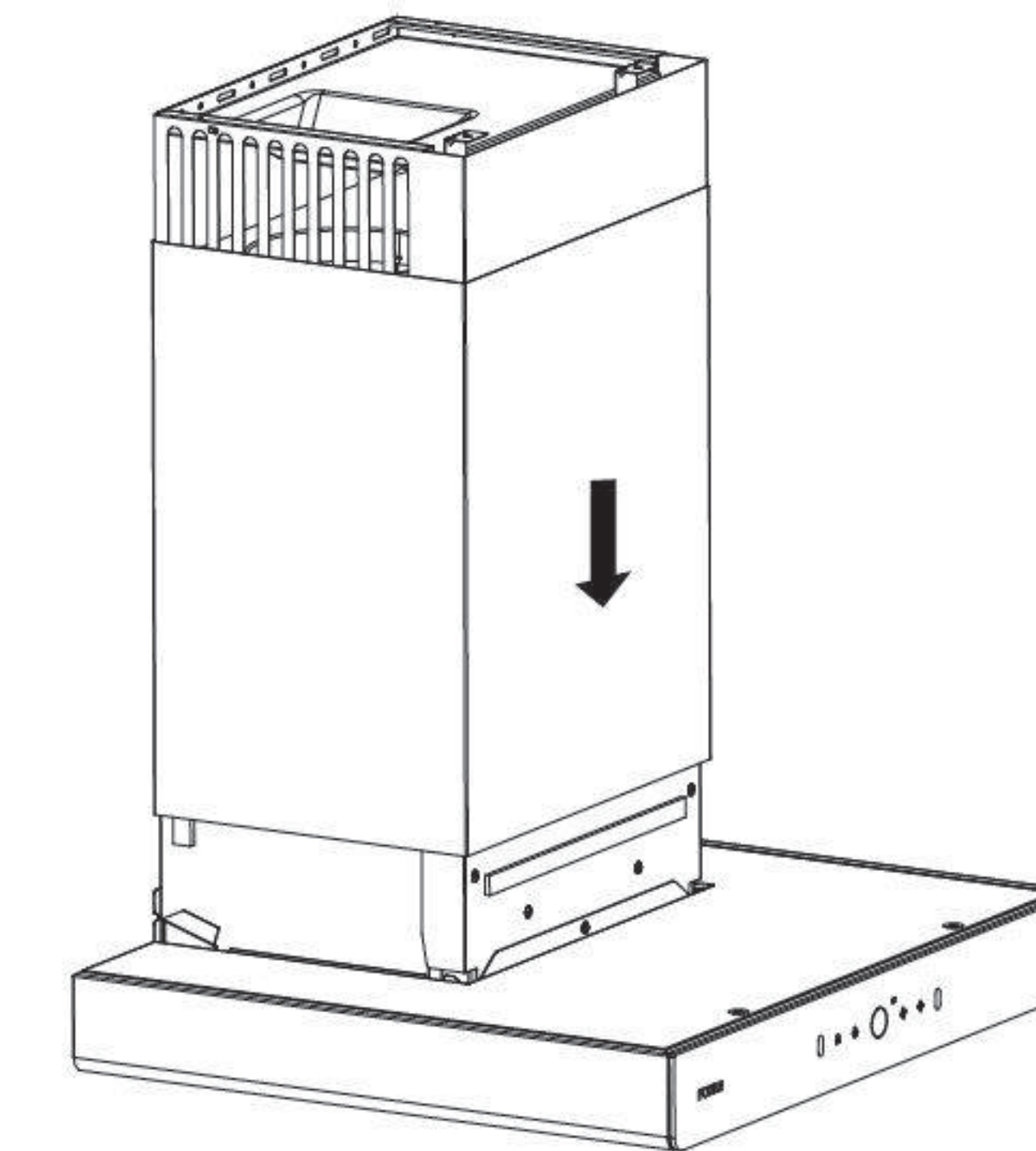
2) Put the decorative hood into the fan cover;



3) Take up the fan cover and the decorative hood at the same time, hang the decorative hood on the wind-guidance box first, and then simultaneously push the decorative hood and the fan cover to the end along the wind-guidance box;

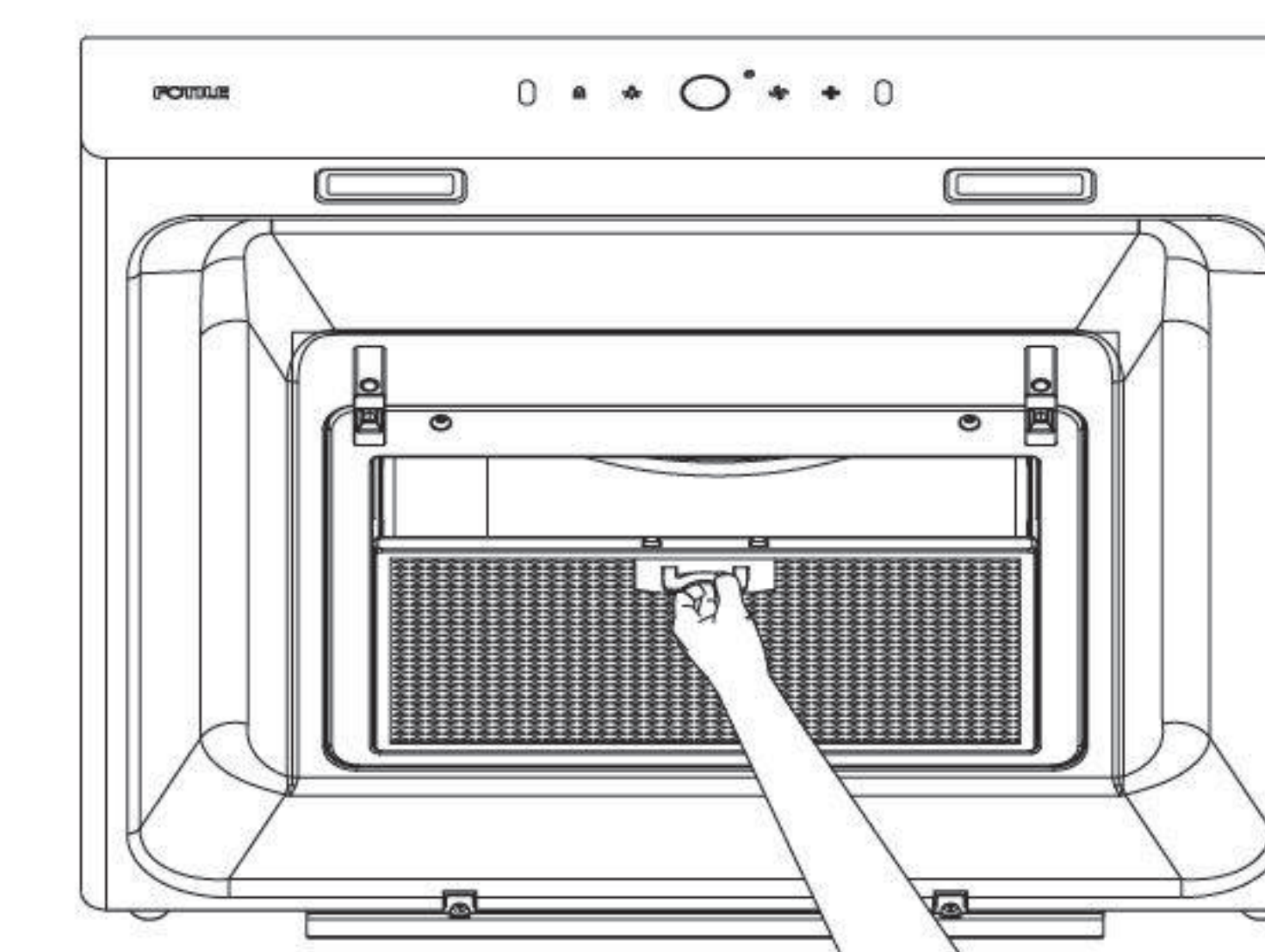
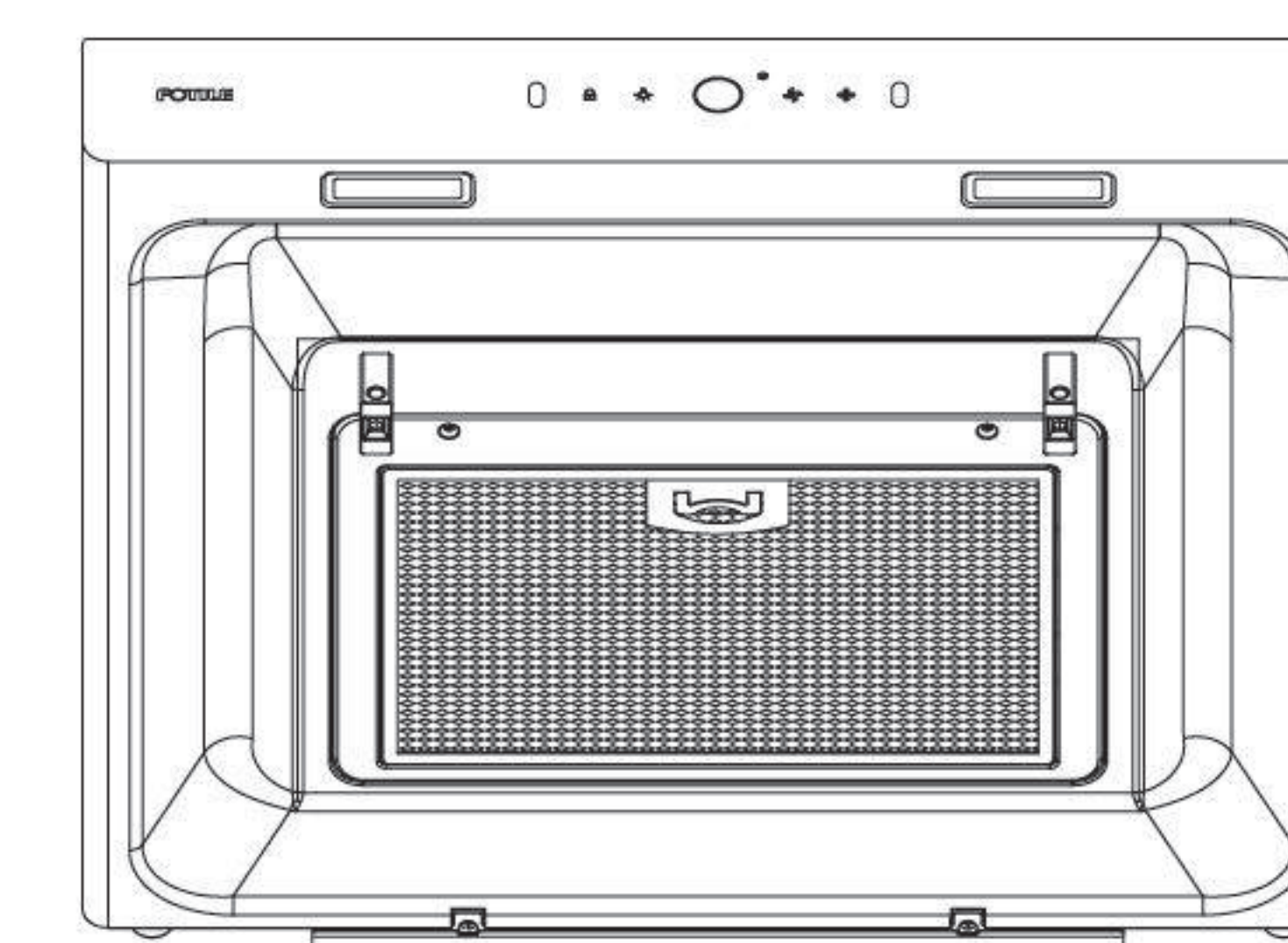


4) Slide the fan cover down slowly, clip the locking tab of the fan cover into the fan frame, and then insert the fan cover into the gap between the top plate and the fan frame. Finally, fix the trim cover and the guide bellows with 2 exhaust duct screws #4×3/8" (ST3.9×9.5mm).

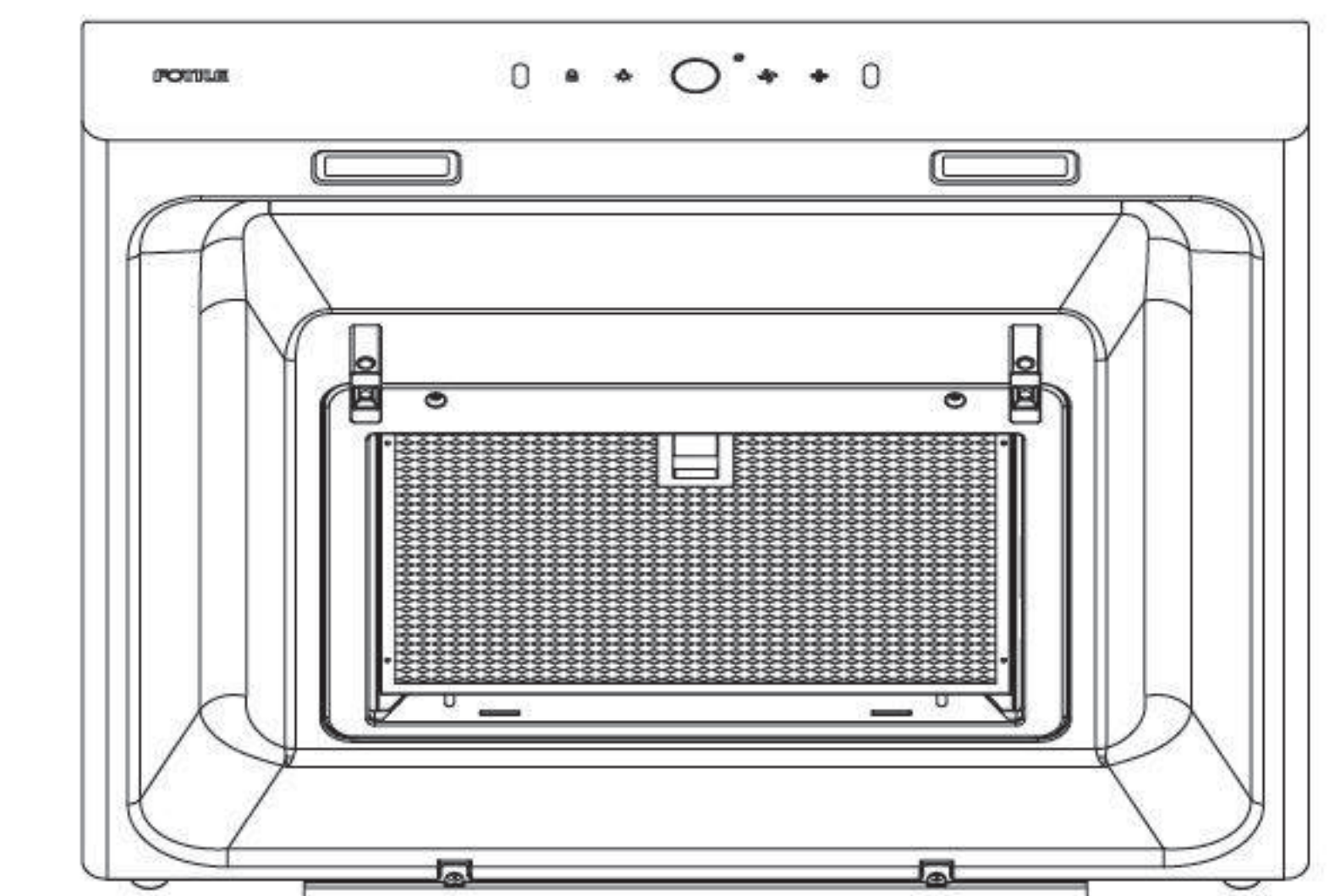
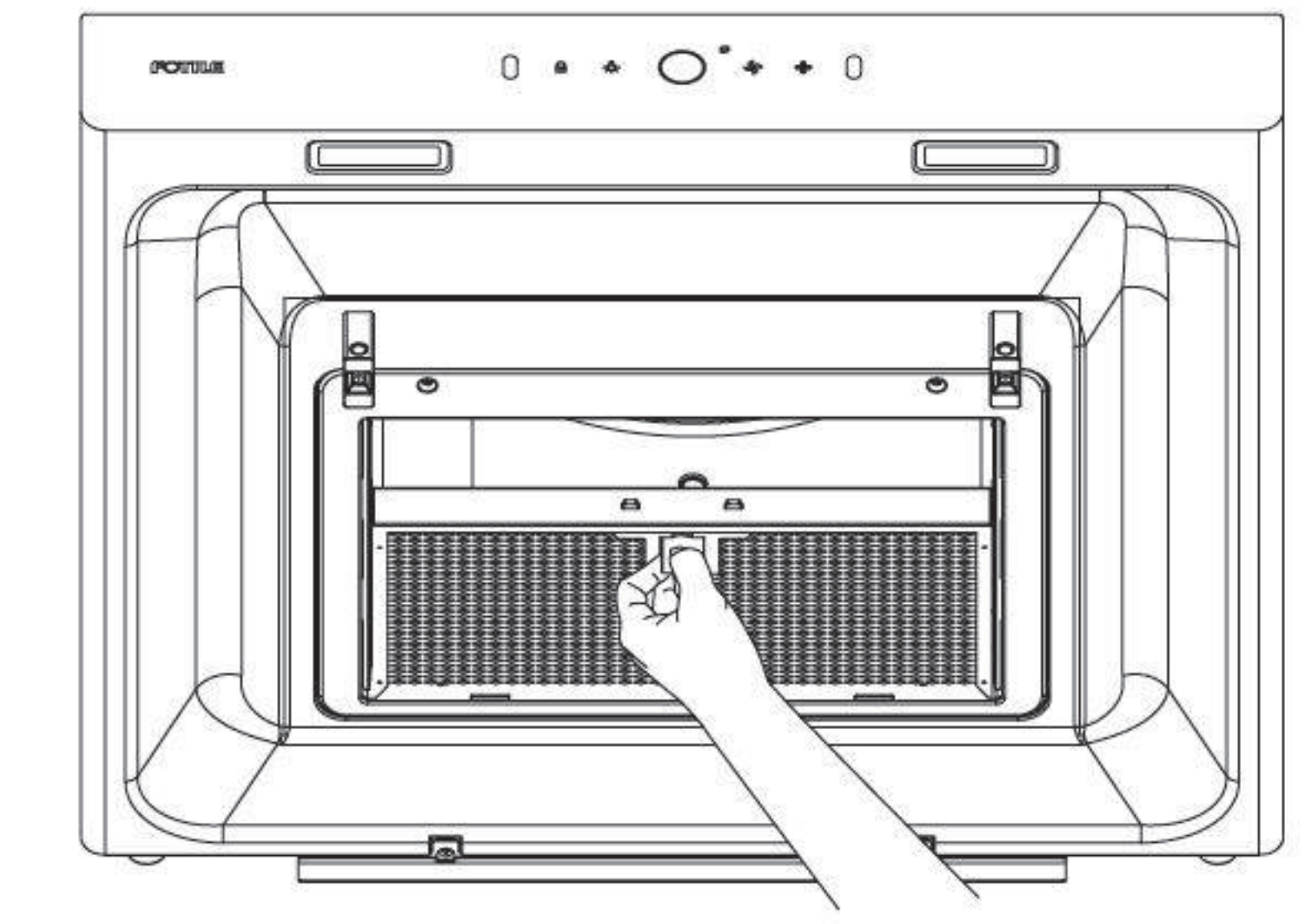


14. Install Carbon Filter:

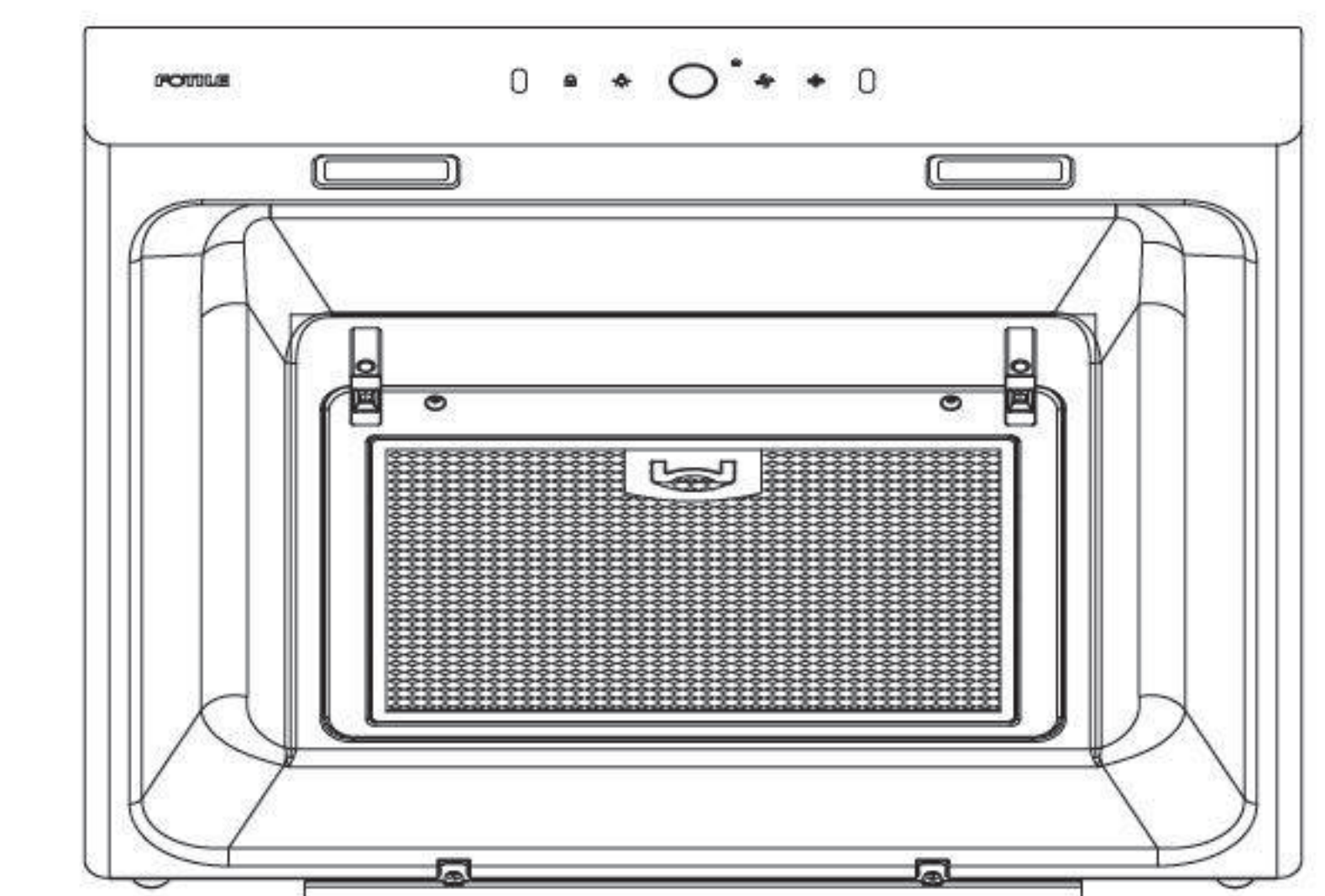
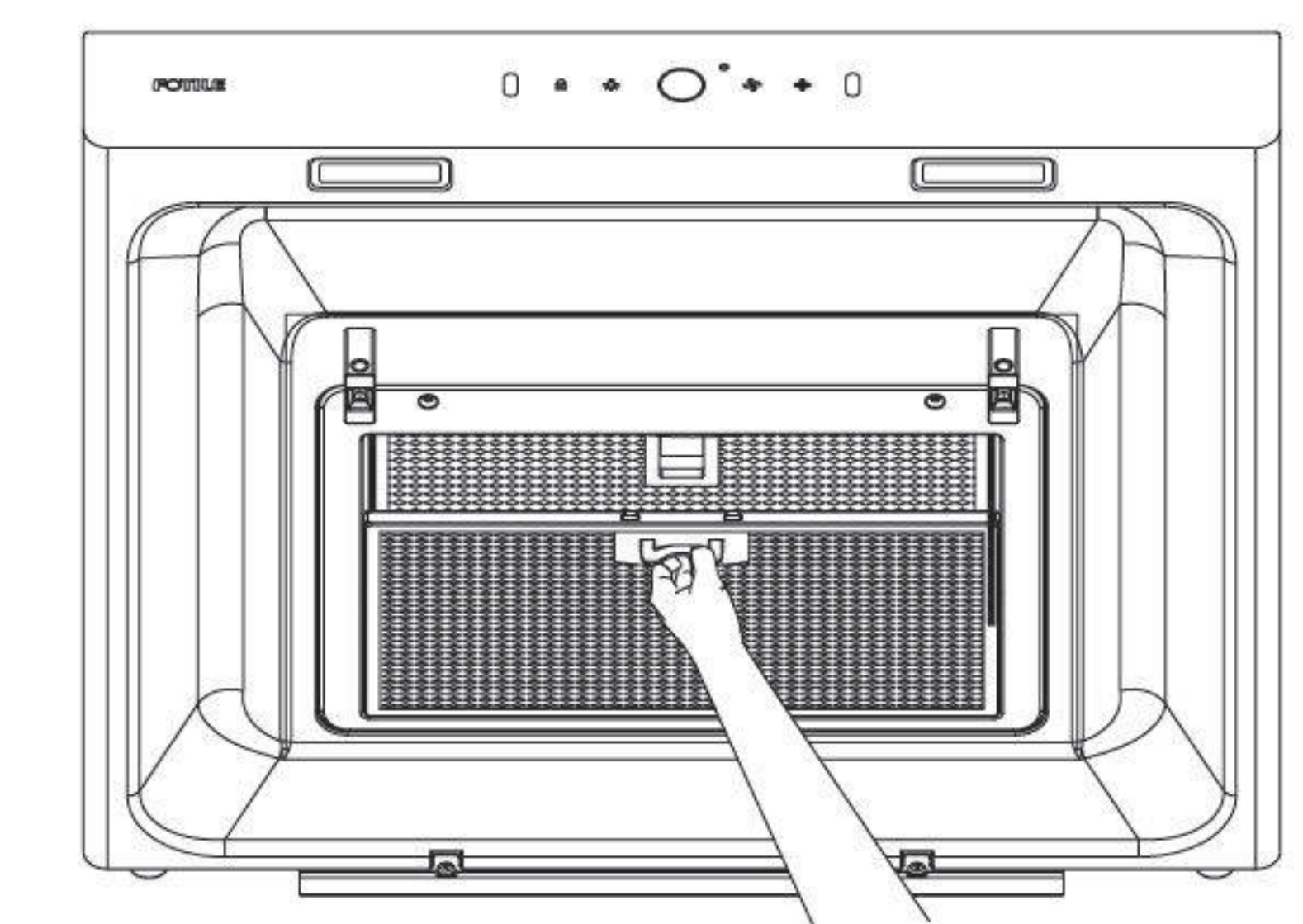
1) First, detach the mesh filter;



2) Install the carbon filter;

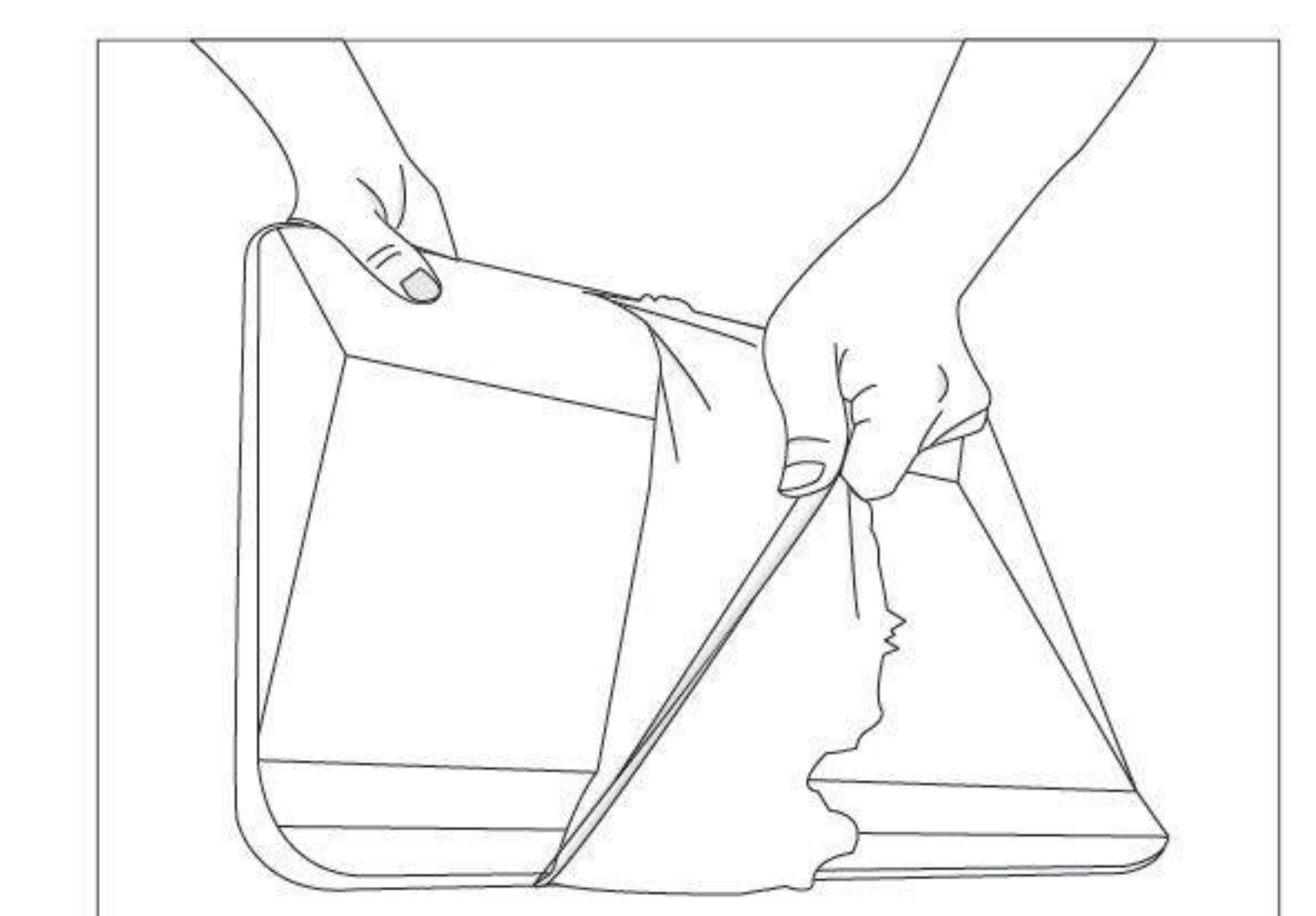


3) Finally, install the mesh filter back.

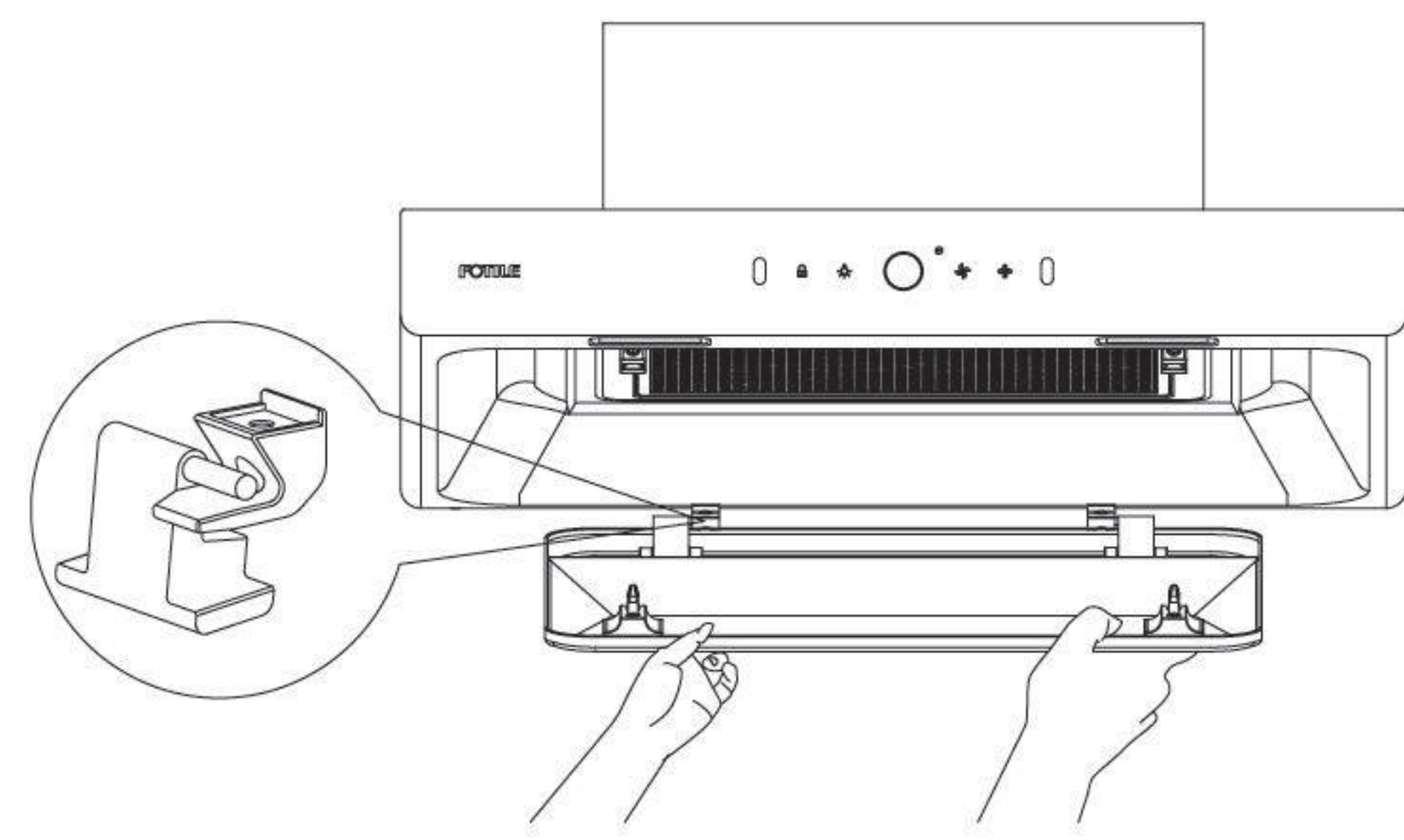


15. Install the wing-like plate;

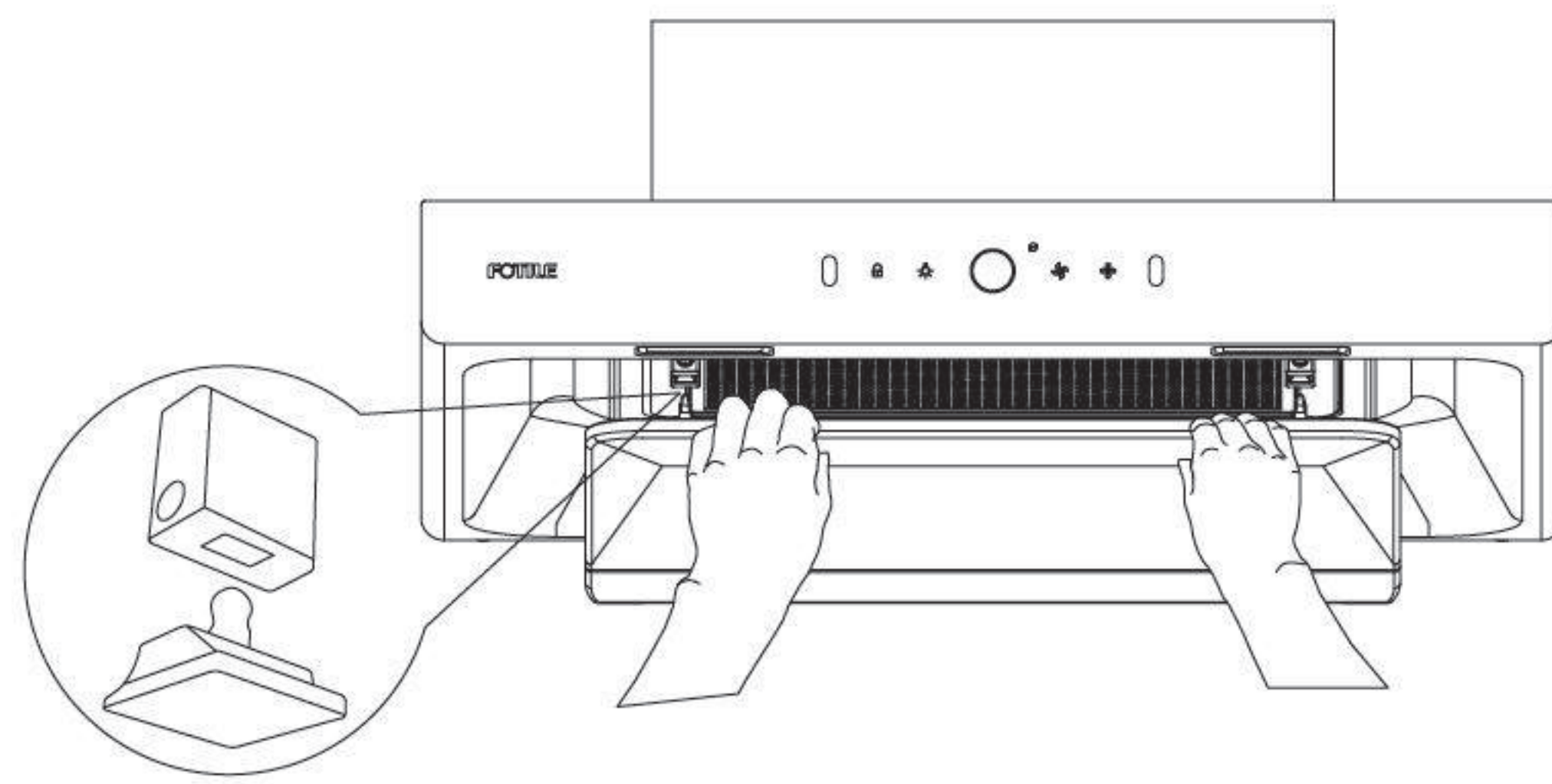
1) Remove the protective film from the wing-like plate;



2) Hold wing-like plate tightly with hands, and put the left and right hook into the hook frame;



3) Clamp the wing-like plate into the buckle.



- Notes:
1. Failure to install all the parts (e.g. wing-like plate) in accordance with these instructions, may result in fire hazard.
 2. If it takes much effort to clip the wing-like plate into the buckle, please refer to Point 8 of "Precautions for Installation" in P16 to check the status of the installation surface and operate according to the instructions.

Commissioning after Installation

1. Press the power/delay button, then press the high-speed /turbo button to check whether the motor rotates normally. In case of the following abnormal conditions, cut off the power supply immediately, stop the operation, and check whether this is due to installation
 - (1) The body vibrates violently
 - (2) The blades do not rotate
 - (3) There is an obvious friction sound when the blades rotate
 - (4) The motor makes an abnormal sound
2. Check whether all buttons are functioning normally according to the operation instructions.
(If it is determined that the range hood is faulty, please call the Fotile authorized service center)

CFM Adjustment Technology

CFM Adjustment Technology (CAT)

Some local codes or regulations have limits on CFMs. FOTILE CAT function of Perimeter Vent series enables the builders/installers/contractors to set the maximum CFM no more than 400CFM. Or the consumers may prefer to enjoy more effective ventilation with a make-up air system.

Under CAT state and normal state (i.e., ex-factory state), the motor speeds corresponding to the airflow are as follows:

Air Flow	Speeds corresponding to different conditions	
	CAT Status	Normal Status
Boost	Function Failure	P4
High	P2	P3
Medium	Function Failure	P2
Low	P1	P1

⚠ Attention:

THE CAT setting is IRREVERSIBLE. DO NOT TRY IF NOT NECESSARY.

Operating instructions:

The product is powered on but in the "Off" state:

1. When the product is in the "Off" state, please press and hold the "High" and "Low/Medium" buttons together for five seconds until the buzzer keeps beeping and the icons of the two buttons are lit.
2. Press and hold the "light" button for three seconds within ten seconds until the buzzer keeps beeping and the icon of the button is lit, and then the product enters the "CAT" state. Two seconds later, the product enters the "Off" state. The "High" button turns into P2 (Medium speed, less than 400CFM), and the "Low/Medium" turns into P1 (only low speed available).

* If the operation following step 1 is not performed within ten seconds, please return to the default "Off" state.

CAT self-inspection:

Note: Please operate in the following steps in order to check whether the product is in the "CAT" state.

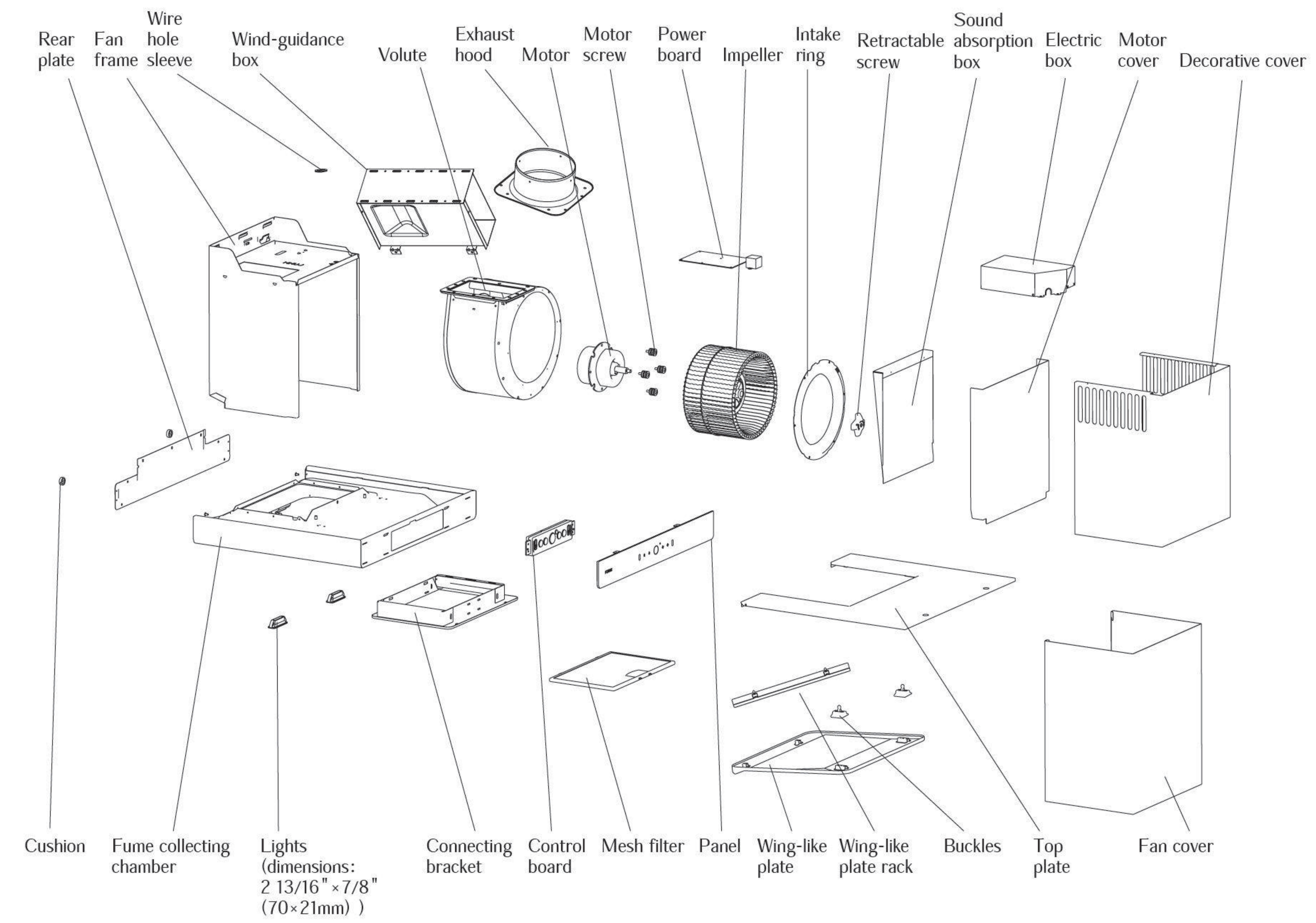
1. The product is powered on but "Off" state: Please press the "High" and "Low/Medium" buttons for five seconds, the buzzer will keep beeping, and the icons of the two buttons will be fully lit.
2. If the product is in the "CAT" state: The icon of the button is lit. Otherwise, the icon will not be lit.
In this case, all buttons and the hand-waving function do not work until the product exits from the "CAT self-inspection" state automatically.

Correct Disposal of this product



This marking indicates that this product should not be disposed with other household wastes throughout the EU. To prevent possible harm to the environment or human health from uncontrolled waste disposal, recycle it responsibly to promote the sustainable reuse of material resources. To return your used device, please use the return and collection systems or contact the retailer where the product was purchased. They can take this product for environmental safe recycling.

Explosive View



尊敬的用户，您好！感谢您选购方太公司为您精心制造的方太系列产品，使用前请通读本《使用安装说明书》（以下简称说明书），此说明书将有利于您熟悉油烟机安全信息、操作和保养维修等，并让您享受到全新的下厨乐趣。

请您在使用前务必认真阅读说明书，并遵从说明书要求进行使用。本说明书的操作说明对于维持产品的良好工作状况十分重要，若因使用不当造成产品故障，您将失去免费保修的权利，任何直接或间接的免费保修申请将不被本公司各地授权的服务中心所接受。同时我们建议您在质量保修期内及保修期后，如有需要维修时请与方太公司当地授权的服务中心联系，这对您和我们都是非常重要的。

我们授权的服务中心将为您提供方太公司专业的零部件及技术支持，使您的产品得到优质快捷的维修保障，同时让您得到最轻松细心的服务。如果您需要服务，您将需要提供产品型号和序列号。

目 录

安全须知	58
使用与保养	61
产品参数	61
操作指导	61
清洁保养	63
常见故障的识别和处理	64
客户服务	65
安装指导	66
安全须知	66
工具配件	68
安装示意	69
风量控制	74
爆炸图	75

安全须知

为确保方太产品的安全和高效使用，请注意产品说明书中以下突出显示信息：

* 警告：标明如不遵守预防措施则可能导致严重人身伤害或死亡等危险。

* 注意：表示如不遵守指导说明则可能出现轻微人身伤害或产品损坏。

* 重要：强调非常重要的信息。

安全须知

请确保在使用产品前阅读此安全须知

请务必保留此安全须知信息

本产品仅限室内家用

为避免任何对油烟机的意外风险和损害，请在开始安装和使用前仔细阅读此产品说明书。只有这样您才能安全正确地操作此产品，降低火灾、电击或者人身伤害等风险。请保留此产品说明书，以供今后使用或后续用户使用。



● 触电危险

有缺陷的产品可能引起电击，绝不启动有缺陷的产品。如发现问题请将此产品从电源上拔下或切断总电源，并请联系方太授权的服务中心。

■ 此产品应使用专用电源插座，并且专用电源插座应有可靠接地，因为电源线中途连接、使用延长线以及多口配线器时易发生触电、插头插座发热以及火灾。请确保由专业电工在严格按照所在国家和地方的电力法规进行操作，接线以前，请先关闭电源并采取合理措施防止电源开关自动闭合。

■ 禁止使用 125V 以上的交流电，以免引起危险。

■ 禁止将此产品安装在浴室或湿度高的场所，这样容易造成触电。

■ 如果电源线损坏，请联系授权服务提供商或合格技术人员进行更换。

■ 请不要对电源线进行改制、拉伸结扣以及施加重物、挤压等，否则易导致电源线破损而发生触电和火灾。

■ 严禁电机、开关、接插件等电器部件沾水，禁止用水冲洗油烟机。油烟机被水淋湿后，请不要使用，如果使用会导致漏电、触电。

■ 禁止私自改动产品内部布线，否则有可能发生异常动作导致人体受伤。不当修理可能发生触电、火灾等危险。

■ 在清洗产品、提供安装或维修服务之前，必须切断电源，以免触电。

■ 请不要使用任何可能导致电击的高压清洁剂或蒸汽清洗器。

■ 请不要用潮湿的手触摸电源插头电器部件以及操作电源开关，否则易发生触电。

● 接地说明

■ 此产品必须接地。如果发生短路，接地可以降低电击的危险。此产品配有接地插头的电源线。插头必须插在合理安装并接地的电源插座上。

■ 不合理接地会导致电击危险。

■ 如并未完全理解接地说明或者对产品是否已合理接地存在疑虑，请咨询合格电工。

■ 请不要使用延长线。如果电源线过短，请合格电工在产品附近安装电源插座。

● 火灾危险

■ 为降低火灾危险并合理排气，请优先外排。请不要将废气排到墙体、天花板、阁楼、窄小空间或车库中。

■ 如果不按本说明书规定的方法清洗，油烟机有起火的危险。

■ 热油和油脂会快速点燃，绝不让热油或油脂处于无人看管状态。

■ 油网中油脂沉淀物可能着火，请定期清洗油网。

■ 请勿在无油网的情况下操作此产品。

■ 油网中的油脂沉淀物可能着火，绝不在此产品附近使用明火。请不要在使用固体燃料（比如木头或煤）的加热设备附近安装此产品。禁止有飘飞的火花。

■ 请避免在烟机下方使用会产生火焰的食品。

■ 为降低灶台油火风险：

1. 绝不使灶台表面的器具在无人看管下高档位运行。溢锅造成冒烟和可能起火的油脂外溢，请在低档或中档设置下缓慢加热油脂。
2. 烹饪时请总是开启烟机。
3. 烹饪产生的油脂可能分布在环境中，如地面、橱柜、油烟机表面和排烟管路等，请定期清洁降低起火风险。
4. 请使用合适尺寸的锅具。请总是使用与灶台表面的器具尺寸吻合的炊具。

■ 为降低灶烤一体机上方油火对人身伤害的危险，请遵守以下说明：

1. 用合身的锅盖、烤板或金属托盘扑灭火焰，然后关闭灶具。注意谨防烫伤。如果火焰未立即熄灭，请疏散并报警。
2. 油锅着火时，请立即关闭油烟机（油烟机的运行会助燃火势）。立即采用有效的灭火措施，如用金属封盖盖住明火、关闭燃气总阀、使易燃物远离明火等。
3. 绝不拿起着火的锅具，您可能被烫伤。
4. 请勿用水，包括湿抹布或毛巾灭火，这样会导致猛烈的蒸汽喷发。

■ 仅在以下条件使用灭火器：

1. 当您上过基础的灭火器课程，并且已经知道如何操作；
2. 当火较小并且控制在火源处；
3. 当您已打火警电话；

4. 当您背向出口时可救火。

● 人身伤害危险

■ 此产品不适用于（包括儿童在内）身体、感知或精神能力减弱或缺乏经验或知识的人群，除非在对其安全负责的人监督或指导如何安全使用此产品的情况下。孩童应受监管，确保其不玩弄此产品。

■ 油烟机可能有非常锋利的边，在进行安装、清洁或修理时，谨防被油烟机内金属板快口等划伤和擦伤。应佩戴合格的防护手套。

■ 操作中可触及部分会变得很烫。绝不触摸变烫的部分。保持儿童在安全距离以外。

■ 请勿触摸已经开启或刚关闭不久的灯，以免烫伤。

■ 油烟机叶轮运转时，禁止将手指或其他物品放入其中，以免造成伤害。

■ 此产品不应和外部钟表计时器或遥控器配合使用。

■ 不正确的维修很危险。仅合格的售后服务技师才可进行维修。

■ 出现异常现象时，请关闭产品电源，拔下电源插头或者切断总电源，马上与方太授权的服务中心联系。异常状态下连续运转易发生触电、火灾等危险。

■ 本产品可能会使您暴露于化学物质，加利福尼亚州已知该化学物质可致癌和出生缺陷或其他生殖危害。如需了解更多信息，请访问：

www.P65Warnings.ca.gov

● 窒息危险：

■ 包装材料对儿童有危险。绝不允许儿童玩弄包装材料，这可能会产生窒息事故，所以请让包装材料远离儿童，包装材料不是玩具。

● 死亡危险：

■ 烟道倒灌有中毒危险。当此产品在排气模式下运行，同时依赖于房内空气的加热设备也在运行时，请总是确保屋内有充足空气保证充足燃烧和排气。请通过烟道（烟囱）排放废气，防止废气倒灌。因使用不当或误操作造成的伤害厂商不负责任。

注意

- 若当地适用的法规包含更为严格的安装和认证要求，上述要求优先于此文档中相应的要求，并且安装人员同意遵守这些要求。
- 油烟机使用环境的温度不能超过104°F (40°C)。
- 请不要在此产品上放置任何物品，产品上放置的东西可能跌落或倾倒。例如把调料瓶放置在油烟机顶部，倾倒后可能造成液体流入产品内部，导致带电部件损坏，造成不必要风险。若因此造成的产品损坏，本公司不承担免费保修责任。
- 请及时清理油杯中的废油，防止溢出。油杯中所收集的废油请勿食用！请不要在油杯中放置易燃物，如保鲜膜、厨房纸等。
- 当在墙上或天花板上开凿或钻孔时，请注意不要损坏电线、水管、燃气管道以及其他隐藏的设备。
- 请遵照加热设备厂商的指导方针和安全标准，如美国消防协会，美国采暖、制冷和空调工程师协会和地方法规指定当局发布的指导方针和安全标准。同时要遵照消防等管理部门颁布的安全标准。当燃气灶在空烧时，会产生大量热量，安装在其上方的油烟机可能会受损或着火，请仅在有用锅具时操作燃气灶。
- 为避免任何可能对产品的损害，请确保实际电压和频率与本说明书中阐明的一致。
- 请确保使用我司提供的标准配件，以防油烟机意外跌落；墙上开的洞应精准符合膨胀管的尺寸，否则，油烟机可能松动跌落。
- 本公司产品上使用了钢化玻璃，玻璃的钢化机理决定这种玻璃存在极小概率的自爆。一旦发生非使用不当的自爆，我公司承诺免费更换该配件。钢化玻璃在以下情况，发生破裂的几率可能会大大提高，请避免发生：例如用炊具或其他硬物敲击玻璃，特别是敲击玻璃四个角部；打开油烟机周围橱柜门时撞击到玻璃；玻璃处于过冷和过热、冷热交替严重的环境等情况。
- 擅自改装此产品会产生风险。

重要

- 本产品仅用于家庭室内使用，不可用于室外。仅按照制造商的方式使用本产品，若您在室外或特殊场合使用本产品，方太将不承担任何责任。如果您有任何问题，请联系方太授权的服务中心。
- 使用此新产品之前请开封检查此产品是否受损，如果发现此产品有明显的损坏，请勿安装使用，请您立即联系方太授权的服务中心。
- 请保持此油烟机远离石膏板粉末、建筑尘埃等物质。
- 请仅以本说明书指定的方式使用。请不要在无人看管情况下运行此产品。如有疑问，请联系方太授权的服务中心。
- 作为使用者，您对家中的油烟机负有清洁保养和正确使用使用的责任。
- 根据实际条件清理金属油网。
- 油烟机电机有热过载功能，此功能在电机过热时会自动关闭电机，当电机冷却下来后会重新启动，如果电机不断关闭、重启，请联系方太授权的服务中心。
- 油烟机若长期不用，请拨下电源插头。
- 请确保此产品正确的安装和维修。此产品必须符合所有适用的规范和标准，包括防火建筑的规范和标准，由合格技师进行正确安装和接地。安装人员负责确保此产品在其安装位置正常工作。
- 请按照当地法律法规要求安装止逆阀。
- 仅用于一般排气使用。请不要使用此油烟机排放有害或爆炸性材料和气体。
- 产品自身不可燃。
- 为降低火灾危险，所有排烟管、烟道和设备应是不可燃的，请仅使用金属管道。绝不可用可燃塑料或纸张覆盖油烟机。
- 保修服务须由方太公司认可的服务机构或人员执行。如私自拆机维修，产品将不享受保修。
- 请阅读油烟机上的规格标签，以便了解更多信息和要求。
- 如用户房屋密封，安装有大功率烟机，建议安装补充空气装置。方太油烟机的配置，建议密封性高的新房用户安装补充空气装置。如所属州或地区有相关法律规定要求，请遵守相关法律规定要求安装相应补充空气装置。
- 本产品仅限于美国和加拿大使用。

使用与保养

产品参数

型号	EMS6008-CR			
认证	ETL			
产品尺寸	宽度	23 7/16inches(595mm)		
	深度	20 9/16inches(522mm)		
	高度	19 15/16inches(505mm)		
电源	120V/60Hz			
功率	200W			
灯功率	最大 12V/3W×2(LED)			
最大静压 (Pa)	840			
档位	低档	中档	高档	瞬吸档
噪音 (dB(A))	44	53	55	58

a. 上表dB噪音按照IEC60704标准，为声压级噪音，对应声功率级噪音为：瞬吸档70dB(A)、高档67dB(A)、中档65dB(A)、低档56dB(A)。
b. 风量、噪音等参数可能存在10%以内的偏差。



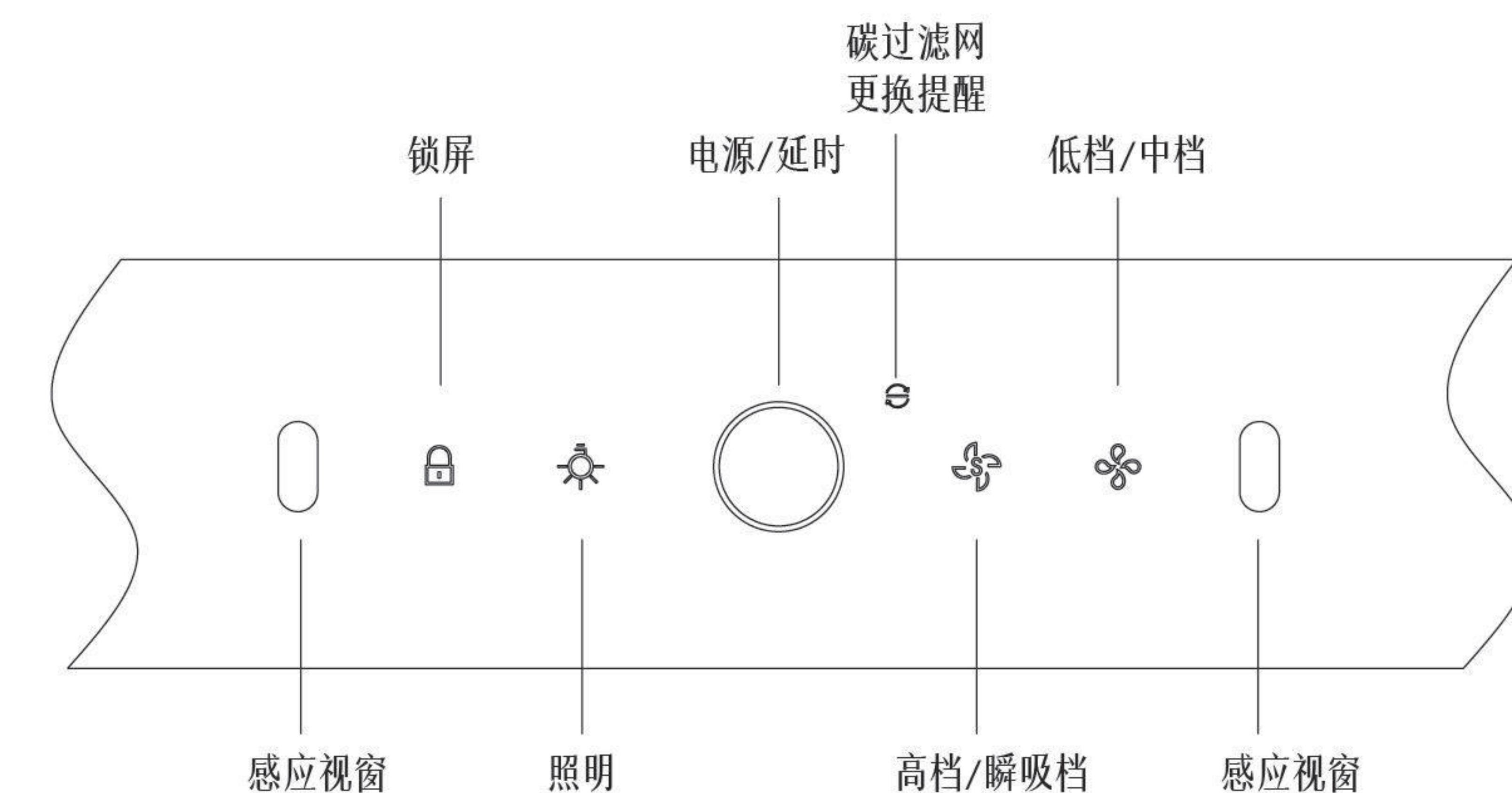
操作指导

警告

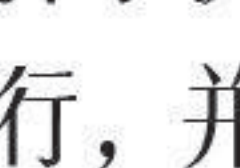
- 防过猛过重操作按键。
- 防灶具空烧，直接烘烤油烟机。
- 防通电拆卸和违嘱拆卸。
- 防蝶翼板（一体式油杯）油满外溢。
- 防非专业人员拆检。



操作

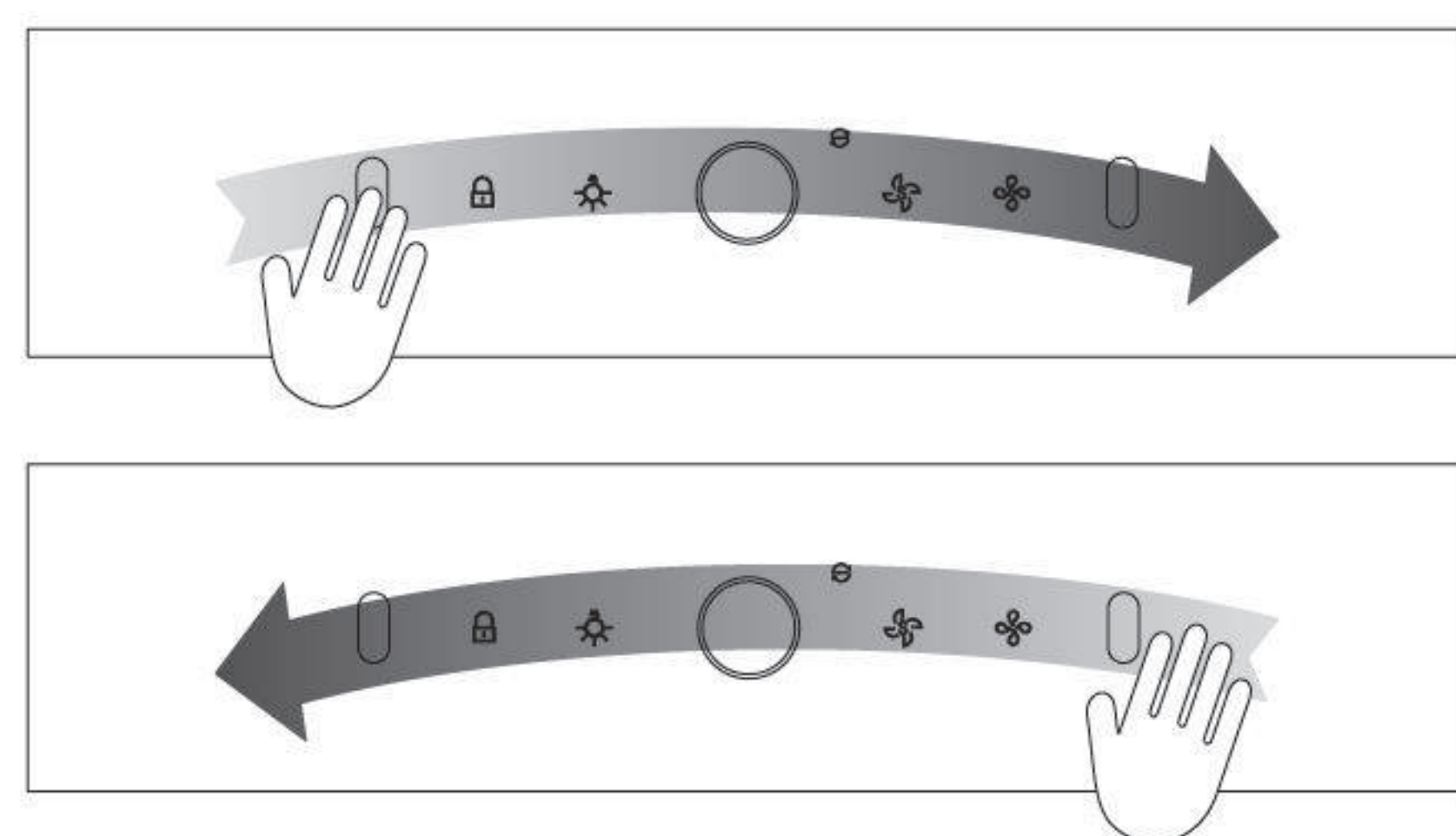
1. 操作界面



■ 手势功能

在关机状态下，挥手快速经过操作面板两端感应窗口，油烟机启动高档运行，并打开照明灯；再次挥手快速经过操作面板两端感应窗口，电源/延时键  指示灯闪烁，油烟机处于延时关机状态，照明灯保持原先状态，轻触灯键可单独关闭灯光，切换到低档运行5分钟，然后进入关机状态。

在关机状态下，同时按下照明灯键  和低档/中档键  5秒，控制板上所有按键点亮1秒后熄灭，开启/关闭手势感应功能。



■ 电源/延时键

在关机状态下轻触一下电源/延时键，油烟机进入待机状态，电源/延时键指示灯全亮，其他按键指示灯微亮；在工作状态下，轻触一下电源/延时键，电源/延时键指示灯闪烁，油烟机处于延时关机状态，照明灯保持原先状态，轻触灯键可单独关闭灯光，切换到低档运行5分钟，然后进入关机状态。在待机状态或延时关机状态下，轻触一下电源/延时键，所有按键灯熄灭，油烟机关机。

以下所有按键命令须在待机状态下进行：

■ 高档/瞬吸档键

轻触一下高档/瞬吸档键，高档/瞬吸档指示灯半亮，油烟机在高档运行；再轻触一下高档/瞬吸档键，高档/瞬吸档指示灯全亮且闪烁，油烟机在瞬吸档运行，100秒后油烟机回到高档运行，高档/瞬吸档指示灯半亮。

油烟机在瞬吸档运行时，再轻触一下高档/瞬吸档键，高档/瞬吸档指示灯微亮，油烟机停止运转。

■ 低档/中档键

轻触一下低档/中档键，低档/中档指示灯半亮，油烟机在低档运行；再轻触一下低档/中档键，低档/中档指示灯全亮，油烟机在中档运行；再轻触一下低档/中档键，低档/中档指示灯微亮，油烟机停止运转。

■ 照明灯键

轻触一下照明灯键，照明灯键全亮，照明灯打开；再轻触一下照明灯键，照明灯键微亮，照明灯关闭。







■ 锁屏键

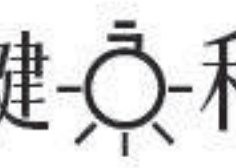

在油烟机不运行时，长按锁屏键 2 秒钟，机器“滴”响一声后，锁屏键指示灯全亮且闪烁，所有按键被锁住，触控无效；再长按锁屏键 2 秒钟，取消锁屏功能。

在油烟机风机在运行时，锁屏键无效，如果按下会发出“滴、滴”报警声。

■ 碳过滤网更换提醒

默认处于关闭状态，仅适用于另外购买和安装了“碳过滤网”的用户。

在关机状态下，同时长按照明灯键 、高档/瞬吸档键  和低档/中档键  3秒，听到“滴”的一声，碳过滤网更换提醒灯点亮1秒后熄灭，开启碳过滤网更换提醒功能。在此功能开启状态下，同时长按照明灯键 、高档/瞬吸档键  和低档/中档键  3秒，听到“滴”的一声，关闭碳过滤网更换提醒功能。

当碳过滤网更换提醒被点亮时，证明油烟机里的碳过滤网须更换。在关机状态下更换完后，请同时长按明灯键  和高档/瞬吸档键  3秒，听到“滴”的一声碳过滤网更换提醒灯熄灭，更换过程结束。



提示：

1. 待机状态下2分钟没有操作，油烟机会自动关机；
2. 建议蒸煮时开启吸油烟机，保持厨房空气清新，否则较多水蒸气经过感应窗口可能会触发手势功能；
3. 过滤网具体更换流程请参照后面P9“碳过滤网更换”。

清洁保养


警告



1. 如果不按说明书规定的方法清洗吸油烟机有起火的危险。
2. 当清洁、维修吸油烟机前，务必先拔掉电源线插头，以免触电。
3. 清洁时应防止电机、各控制键等电气部件进水。
4. 当风机在运行时，禁止将手放入风机运转区域。
5. 切勿使用汽油、苯等溶剂或任何强碱强酸等腐蚀性化学药剂清洗油烟机。

为了更加舒适的使用，请经常对吸油烟机表面、集油装置及前滤网进行清洁。经常清洁吸油烟机表面、集油装置及前滤网将有利于延长吸油烟机使用寿命。

● 整机表面清洁

 警告：请不要使用清洁球、刷子以及粗布等粗糙物进行清洁，以免划伤机体表面。

1. 用中性皂或者中性洗涤剂进行清洁，清洁后用柔软的布擦干机体表面；
2. 如果吸油烟机表面有顽固污垢，使用中性清洁剂清洁。把清洁剂滴至污垢处并短暂停留，使用柔软的抹布将污垢擦去，用微湿的毛巾将清洁剂除去并擦干油烟机表面；
3. 不要让污渍在吸油烟机表面停留时间过长；
4. 不小心将含盐的溶液、消毒剂、漂白粉以及其他清洁剂沾到不锈钢表面（这些溶剂中大部分含有有害的化学成分），应立即用湿布擦拭，然后用干布擦干。

● 蝶翼板清洁

1. 首先，用双手抓住蝶翼板前沿，向下翻转，使蝶翼板卡扣脱离（见Fig.1），然后向下翻转一定角度，最后双手平端着蝶翼板向外取出（见Fig.2）；
2. 将蝶翼板放入加有中性洗涤剂的温水中浸泡，用软刷将其清洗干净，或放入洗碗机中清洗；
3. 清洁完毕擦干后，装上蝶翼板。

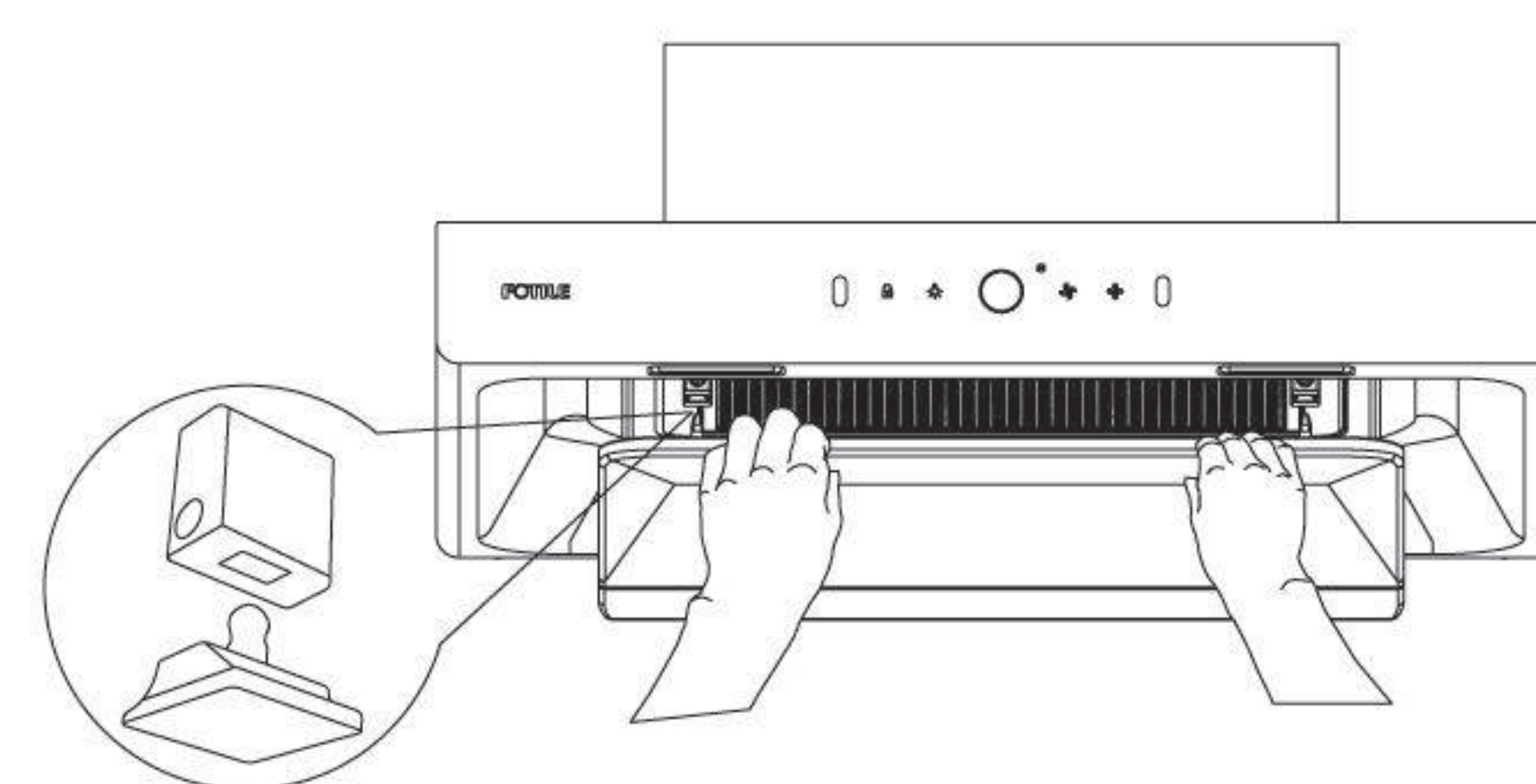


Fig.1

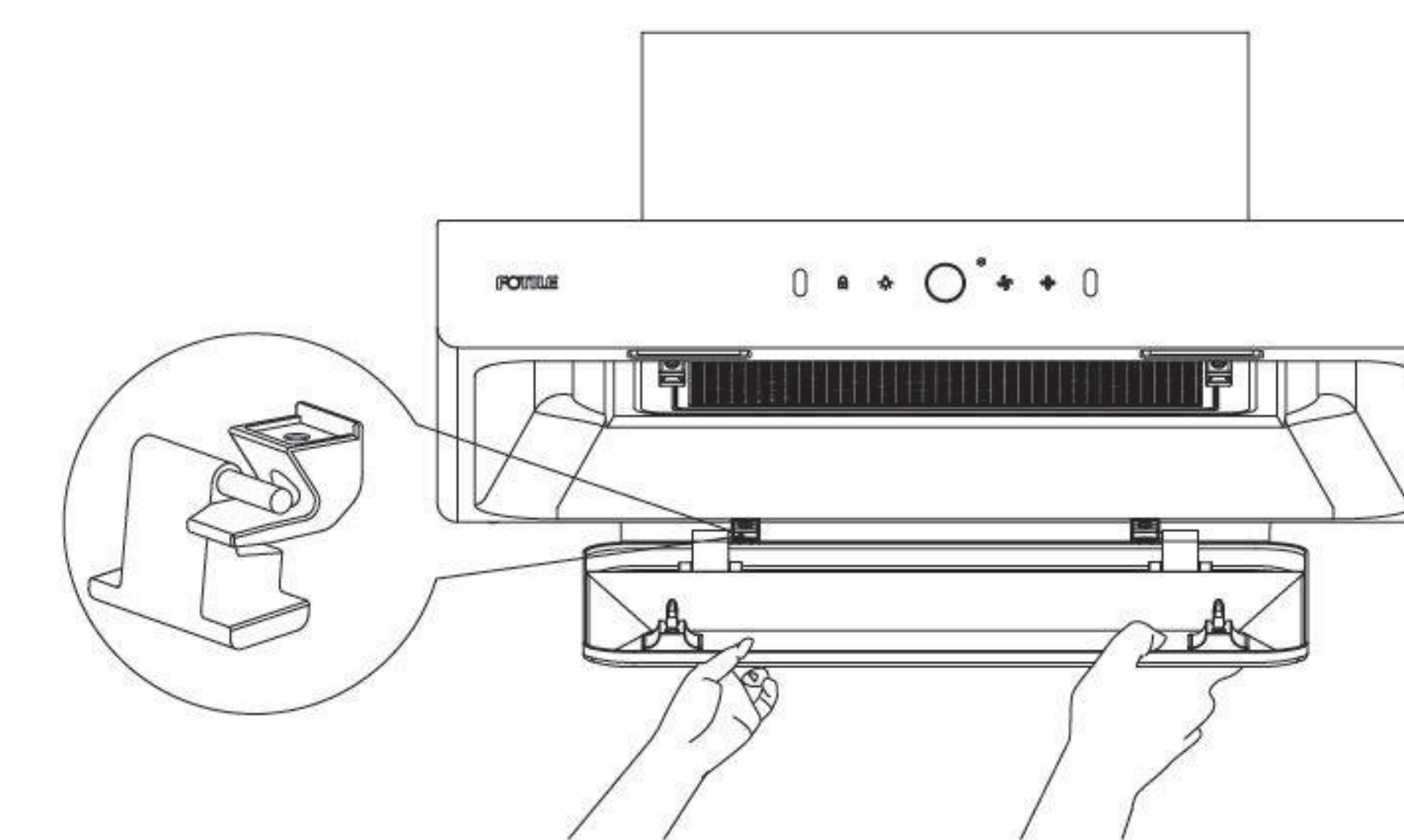


Fig.2

● 前滤网清洁

1. 首先，取下蝶翼板（见Fig.1和Fig.2）；
2. 直接扳开前滤网卡扣，取下前滤网（见Fig.3和Fig.4）；
3. 将前滤网放入加有中性洗涤剂的温水中浸泡，用软刷将其清洗干净，或放入洗碗机中清洗；
4. 清洁完毕晾干后，装上前滤网和蝶翼板。

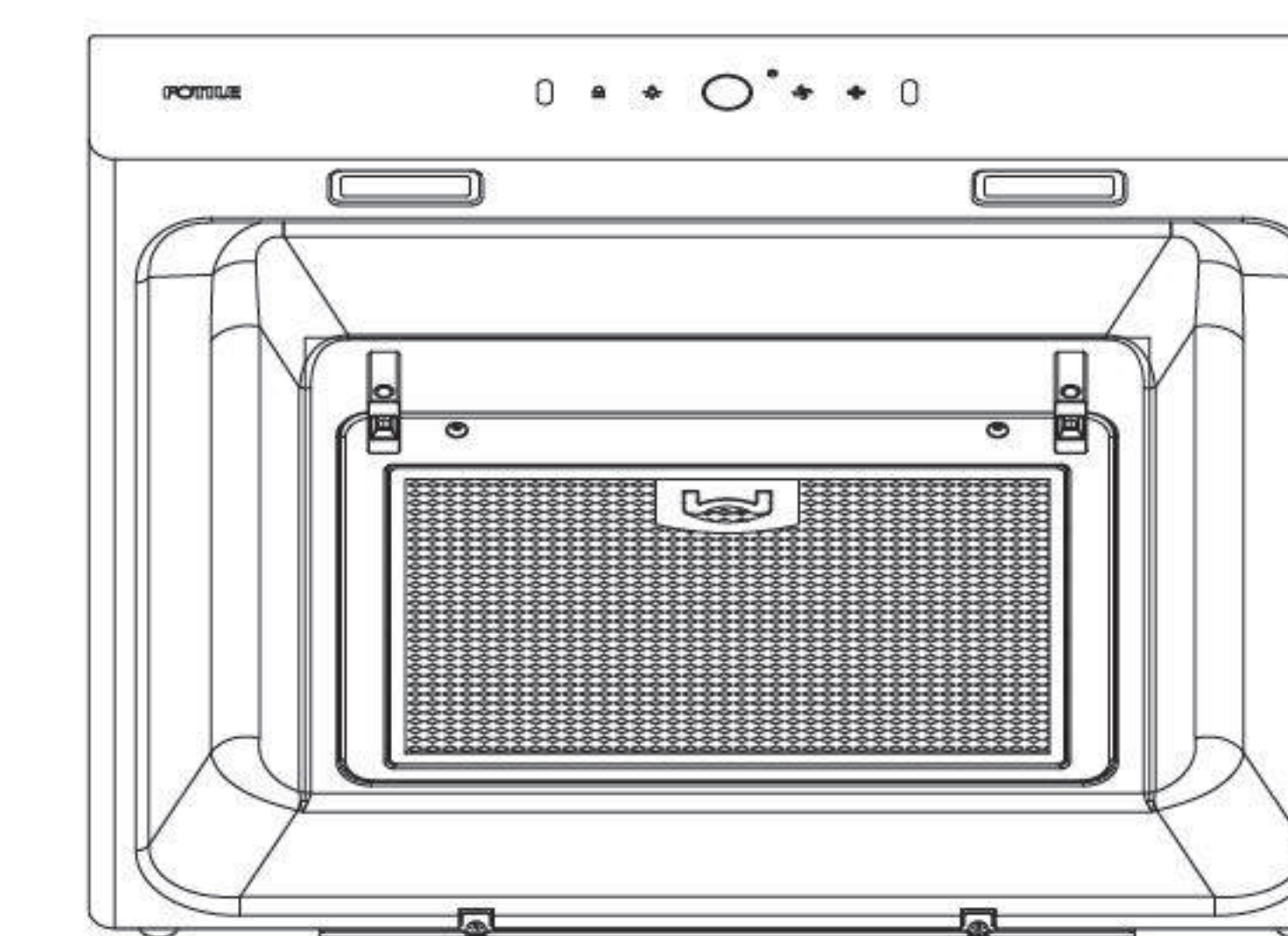


Fig.3

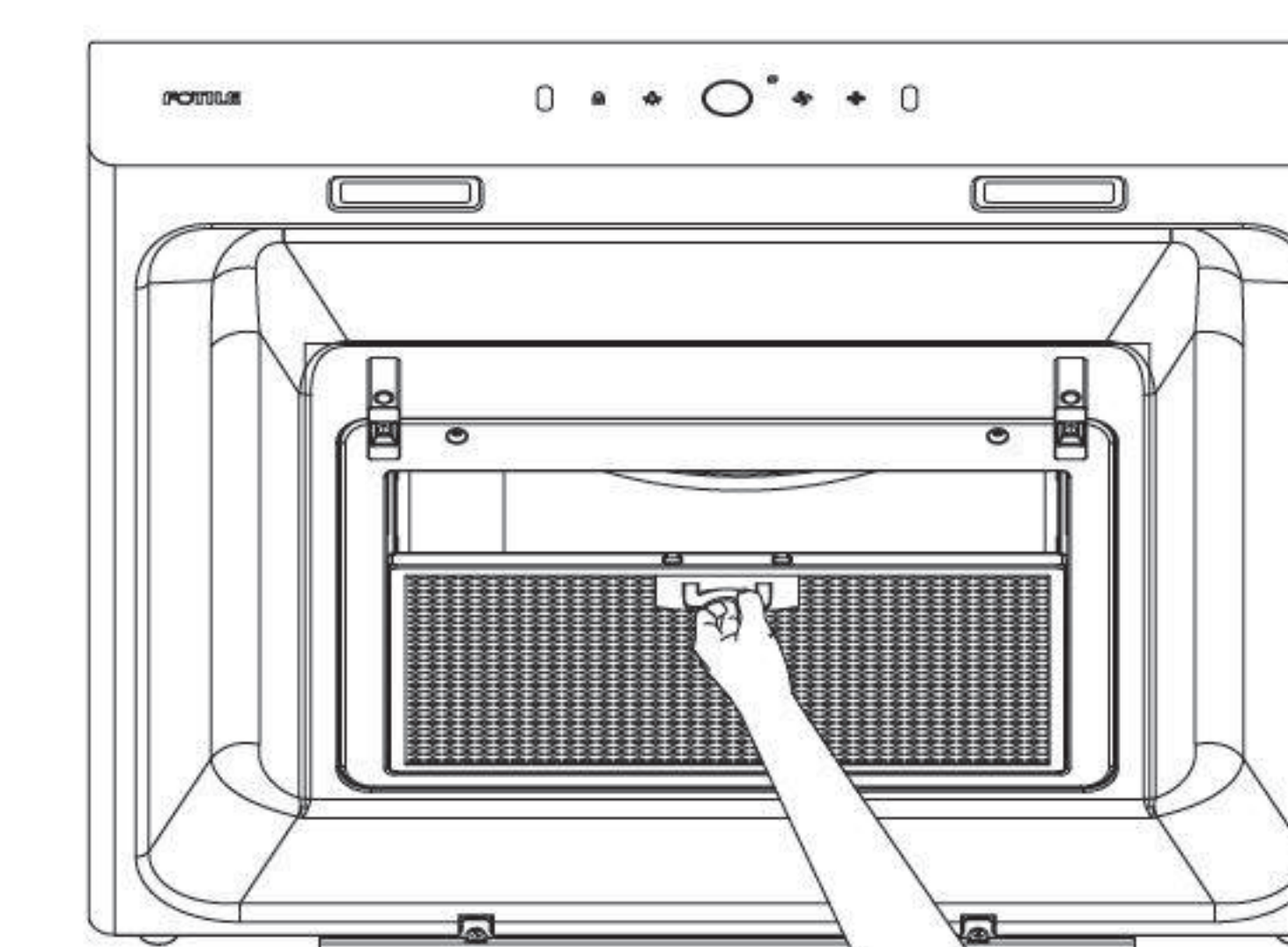


Fig.4

注：用强酸、强碱的洗涤剂、洗碗粉清洗后，可能会导致前滤网变色，但不影响使用。

● 碳过滤网更换 (此为配件, 须单独购买)

1. 首先, 取下蝶翼板 (见Fig.1和Fig.2);
2. 然后取下前滤网 (见Fig.3和Fig.4);
3. 直接扳开碳过滤网卡扣, 取下碳过滤网, 换上新的碳过滤网 (见Fig.5), 然后装上前滤网 (见Fig.6) 和蝶翼板 (见Fig.2和Fig.1);
4. 在吸油烟机关机状态下, 同时长按照明灯键 和高档/超强档键 3秒, 听到“滴”的一声碳过滤网更换提醒灯熄灭, 更换结束。

(注: ①碳过滤网不可清洗; ②新的碳过滤网请到方太授权网点购买。)

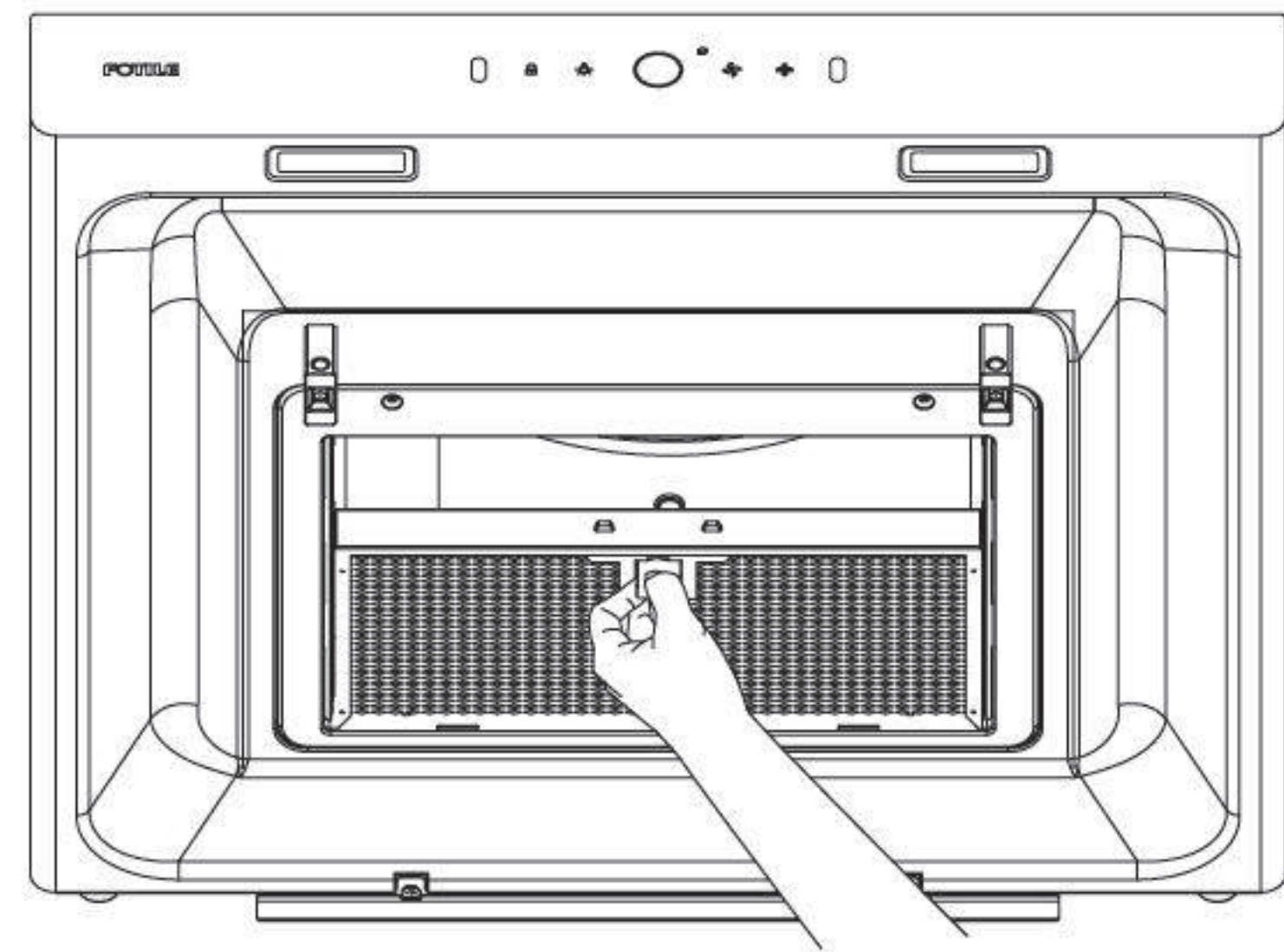


Fig.5

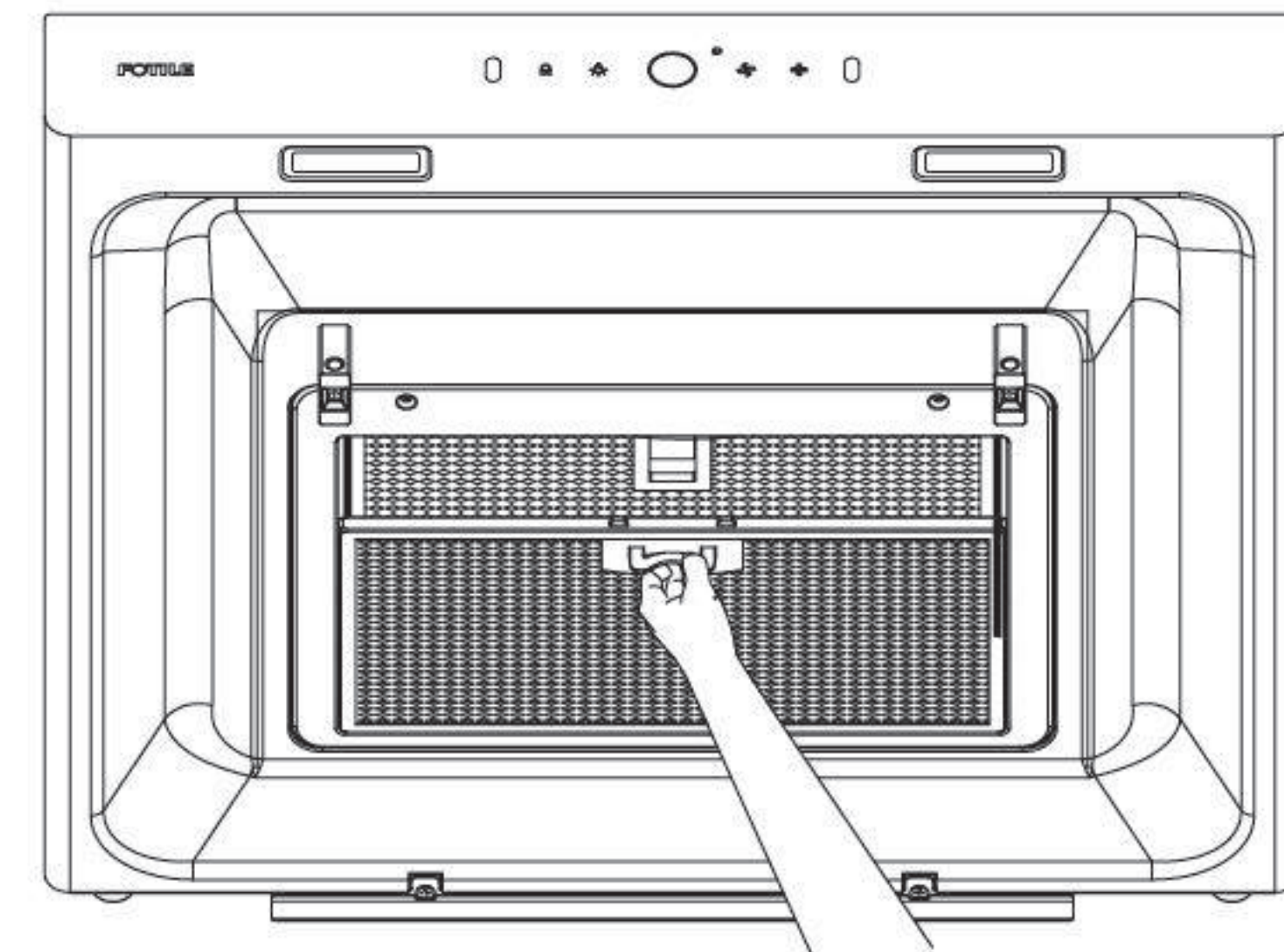


Fig.6

● 清洁保养周期

清洁部件	建议清洁 (或更换) 周期
整机表面	每次使用油烟机后
蝶翼板	每周清洁
前滤网	每周清洁, 每一年更换
碳过滤网	整机上碳过滤网更换提示图标亮起时进行更换

注: 具体清洁周期请根据实际烹饪情况决定。

常见故障的识别和处理

● 常见故障处理表

故障现象	可能原因	检修方法
吸油烟机不工作, LED灯不亮	未接通电源	检查电源插头是否插好
		检查插座是否有电
电机转动但LED灯不亮	LED灯损坏	更换LED灯
有机械振动噪声	螺钉松动	检查吸油烟机表面螺钉是否拧紧
吸油烟效果不好	吸油烟机与灶面的安装距离太大	降低吸油烟机安装高度 (本项必须由专业人士进行)
	吸油烟机周围环境门窗通风太多, 对流太大	减小门窗通风或关闭部分门窗
挥手功能无反应	手势功能处于关闭状态	按照P7页手势功能操作, 重新开启手势功能

● 免责说明

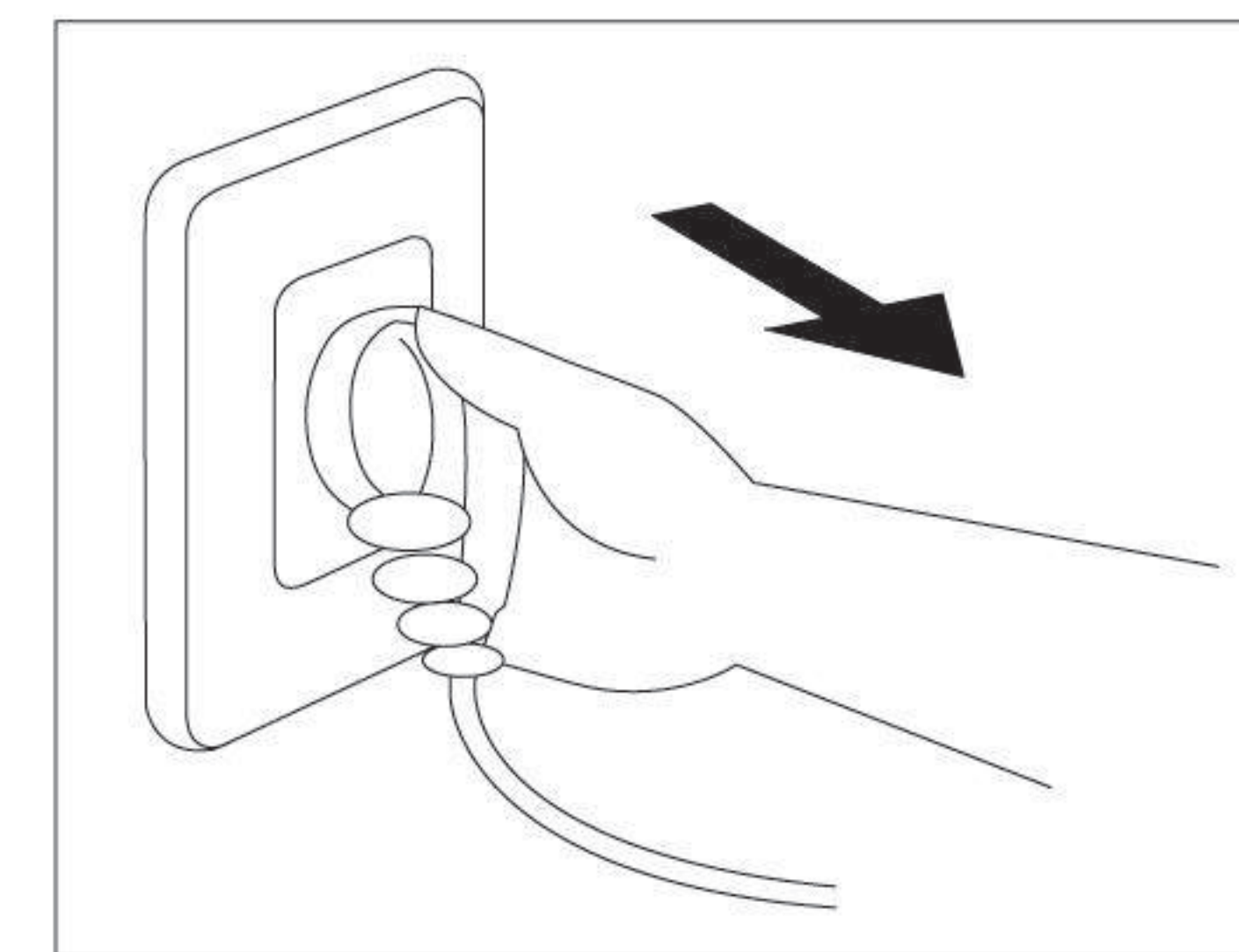
1. 上述故障排除后, 吸油烟机仍不能正常工作, 请联系方太授权的服务中心。
2. 非方太授权的服务中心人员不得擅自维修吸油烟机, 以免造成严重后果, 而且产品将不享受保修服务。
3. 以下情况不提供保修服务:
 - a. 用户搬运、安装、使用、维护、保管不当而损坏的。
 - b. 超出正常使用条件, 强行使用本产品造成的故障和损伤 (例如电压超出132V或低于103V而损坏的)。
 - c. 自行或非方太授权服务人员或服务机构安装和拆修的产品。
 - d. 购买凭证和保修卡信息与产品不符的。
 - e. 因不可抗力造成产品损坏的 (如自然灾害、战争等)。

● 维修说明

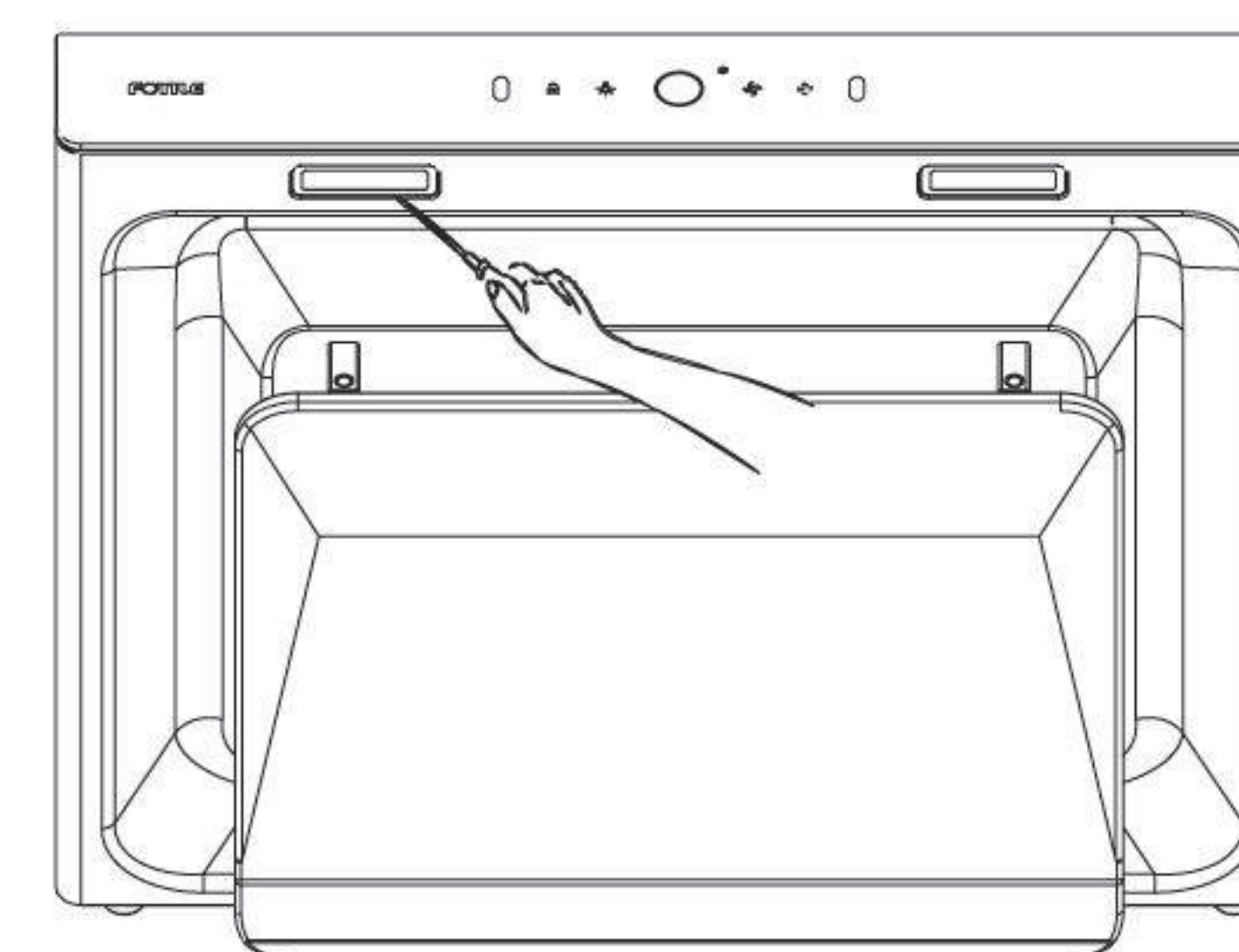
1. 需要提供以下信息:
 - a. 购买日期
 - b. 产品型号
 - c. 序列号 (具体位置请查看扉页指示位置)
 - d. 购买相关凭证

● LED灯更换

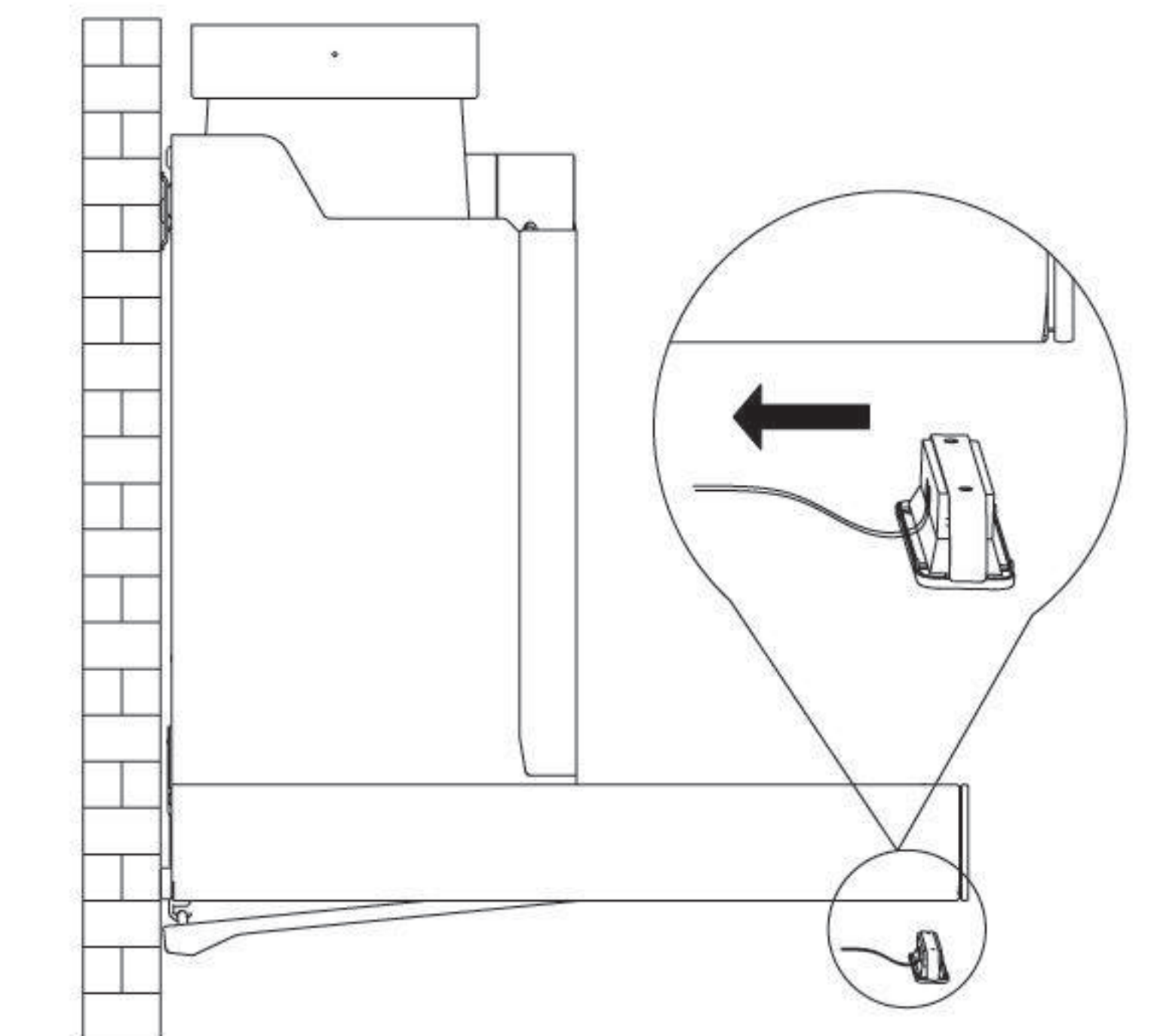
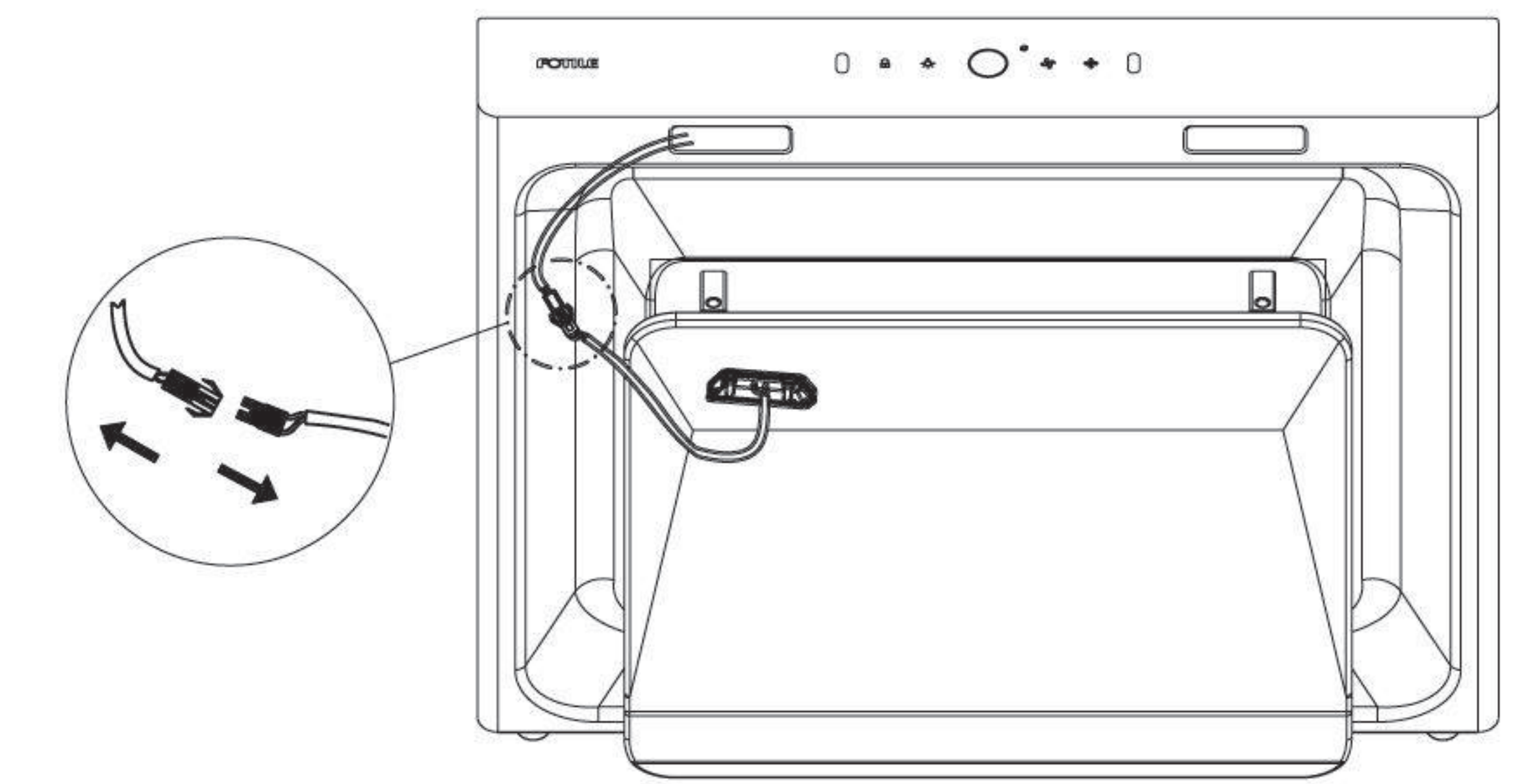
1. 拔掉油烟机电源插头, 或关闭插座电源;



2. 用小型一字螺丝刀轻微插入灯边缘, 下撬并取出灯组件;



3. 拆开灯连接线, 更换整个LED灯 (装灯时灯线朝墙壁方向安装)。



电击危险: 在更换LED灯前, 请先拔下电源插头或者切断油烟机插座电源, 以免触电。

客户服务

● 如果您需要服务, 建议您先阅读以下保修条款

保修条款:

方太所有油烟机产品, 享有五年零件有限质保, 电机终身有限质保。

自购买日期起:

第一年和第二年人工和配件免费。

第三年到第五年配件免费 (不包含人工)。

电机配件终身免费 (不包含人工)。

本条款适用于2019年11月15日或之后购买的油烟机。

以下情况不在保修条款覆盖范围内:

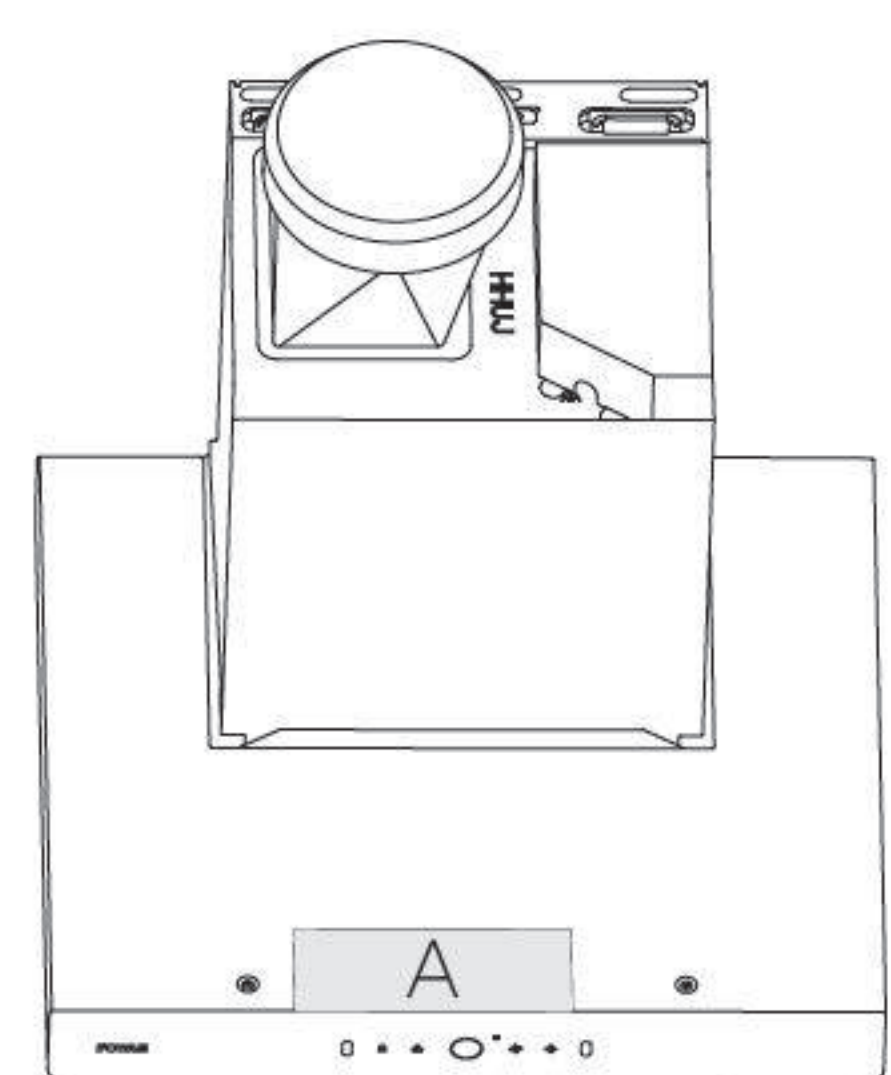
- 免费上门, 确认安装条件, 或指导如何使用产品等。
- 用户自行运输、安装或维护不当。
- 因产品被滥用、误用、修改或用于其他目的或商业用途, 导致产品故障。
- 未按照说明书要求进行清洁保养, 导致损伤。
- 事故、火灾、洪水或不可抗力等因素造成的产品损坏。

- 超出正常使用条件，强行使用本产品造成的故障和损伤，如电压不符合。
- 购买凭证和产品的保修注册信息不符。

本保修范围覆盖在美国购买产品的原始购买者以及任何继任所有者。如产品位于方太公司授权服务不可到达之处，则需要由您负责支付相应交通费用，或者您可能需将产品带至授权服务处，进行维修保养。

- 如果您已购买方太吸油烟机产品，请尽快进行产品注册。以便在您有需要时，我们可及时与您沟通并提供服务。您有如下两种方式进行产品注册：
 - 本产品包装内附有纸质版产品注册卡，您可填写信息后邮寄至方太公司
 - 登录方太官方网站进行产品注册：
<https://us.fotileglobal.com/pages/product-warranties-registration>
- 如果您已购买方太吸油烟机产品，在沟通时告知该产品型号、序列号，可以帮助我们更好地为您服务。

您可以在图示A位置找到这些信息：



- 如果您需要购买配件，您可以有如下选择：
 - 访问方太官网：<https://us.fotileglobal.com/>，进行了解和购买
 - 致电方太公司中英文服务热线：1(888)-315-0366，进行咨询和购买
 - 联系方太公司官方授权门店（可通过访问方太官网<https://us.fotileglobal.com/> 查询您所在城市的授权门店），进行咨询和购买
- 如果您需要其它服务，您可通过以下方式联系方太公司：
 - 中英文热线电话：1(888)315-0366
 - 客服邮箱：serviceusa@fotile.com（请您留下方便日间联系的电话号码）
 - 收信地址：6 Campus Dr, Suite 210, Parsippany, NJ 07054

安装指导

安全须知

为确保方太产品的安全和高效使用，请注意产品说明书中以下突出显示信息：

警告：标明如不遵守预防措施则可能导致严重人身伤害或死亡等危险。

注意：表示如不遵守指导说明则可能出现轻微人身伤害或产品损坏。

重要：强调非常重要的信息。

⚠ 安全须知

请确保在使用产品前阅读此安全须知

请务必保留此安全须知信息

本产品仅限室内家用

警告 ⚡ ⚠

- 为降低火灾、电击或人身伤害危险，请注意以下事项：
 - 油烟机的安装以及电路的设置必须由有经验的专业人员进行，非专业人员请勿安装。在安装时要遵守所有相关的法规、标准，包括与火灾有关的说明。正确安装是安装人员的责任。由于安装不当导致的产品故障不包括在方太保修范围内。
 - 为确保安全和安装顺利，请使用随机附件进行安装；安装膨胀管时，膨胀管与墙孔的配合一定要紧密，严禁钻孔过大，以免膨胀管松动，造成意外跌落！
 - 油烟机应使用专用电源插座，并且专用电源插座应有可靠接地。因电源线中途连接、使用延长线以及多口配线器时易发生触电、插头插座发热以及火灾。装电线前请切断电源，请确保采取合理措施避免意外电源接通。
 - 安装时不能接通电，应在主电源箱中关闭电源。如果电源线损坏，必须由制造商或其服务代理提供的单独特配电源线或套件进行替换。
 - 用户自行安装易发生触电、脱落、起火等危险。非专业人员请勿拆卸、安装及维修油烟机。

- 人身伤害危险：
 - 在移动油烟机进行安装、清洁或者修理前，务必切断电源，以免触电。
 - 油烟机可能有非常锋利的边，在进行安装、清洁或修理时，应佩戴合格的防护手套，以防被油烟机内金属板快口等划伤和擦伤。
- 安装前的警告：
 - 为了不对油烟机造成损害，请确保不要让杂物等进入排风口。
 - 直线、较短的出风管布置将使得油烟机的排烟更加顺畅。
 - 尽量避免使用过长以及有较多弯道的出风管，使用这些管道将影响油烟机的排烟效果。
 - 出风管与墙孔的连接处使用管道胶严格进行密封。必须确保出风管与出风罩连接牢固，并用铝箔胶带密封。
 - 为保证达到良好的吸油烟效果，请使用7" (178mm)及以上尺寸的烟管，而避免使用5" (127mm)及以下尺寸的烟管。烟管过小会增大排烟阻力，不仅无法达到良好的吸油烟效果，还可能导致电机因热保护而停止运行。
 - 本产品上使用的都为公制尺寸螺钉，请不要随意使用不符合规格要求的螺钉。

注意 ⚠

- 在安装以前，请仔细阅读所有的说明。特别请注意以下事项：
 1. 如果您正在对您的厨房进行装修，请勿将油烟机暴露在外。因为建筑材料、灰尘、油漆、涂料以及它们所挥发的的气体，会使油烟机表面产生腐蚀以及失去光泽。建议在厨房装修完毕后再安装油烟机。
 2. 如果在安装油烟机前，需要移动燃气灶，则在移动燃气灶之前，请先关闭燃气总阀门。
 3. 油烟机排出的废气不能排放到用于排出燃烧燃气或其他燃料的烟雾使用的热烟道中。
 4. 因油烟机的尺寸较大和重量较重，建议两位安装人员安装。由于本油烟机的安装程序复杂，因此需要专业安装维修人员按照此说明书进行安装。
 5. 产品固定后，插头应在可接触位置。

6. 安装时须保证机身水平。
7. 安装完毕，请确认油烟机运转无异常现象。
8. 吸油烟机安装墙面存在图Fig.1所示台阶差时，若存在图Fig.2所示情况，请按照Fig.3操作，即在挂钩及油烟机垫脚背部增加支撑板，要求支撑板厚度与台阶高度一致。

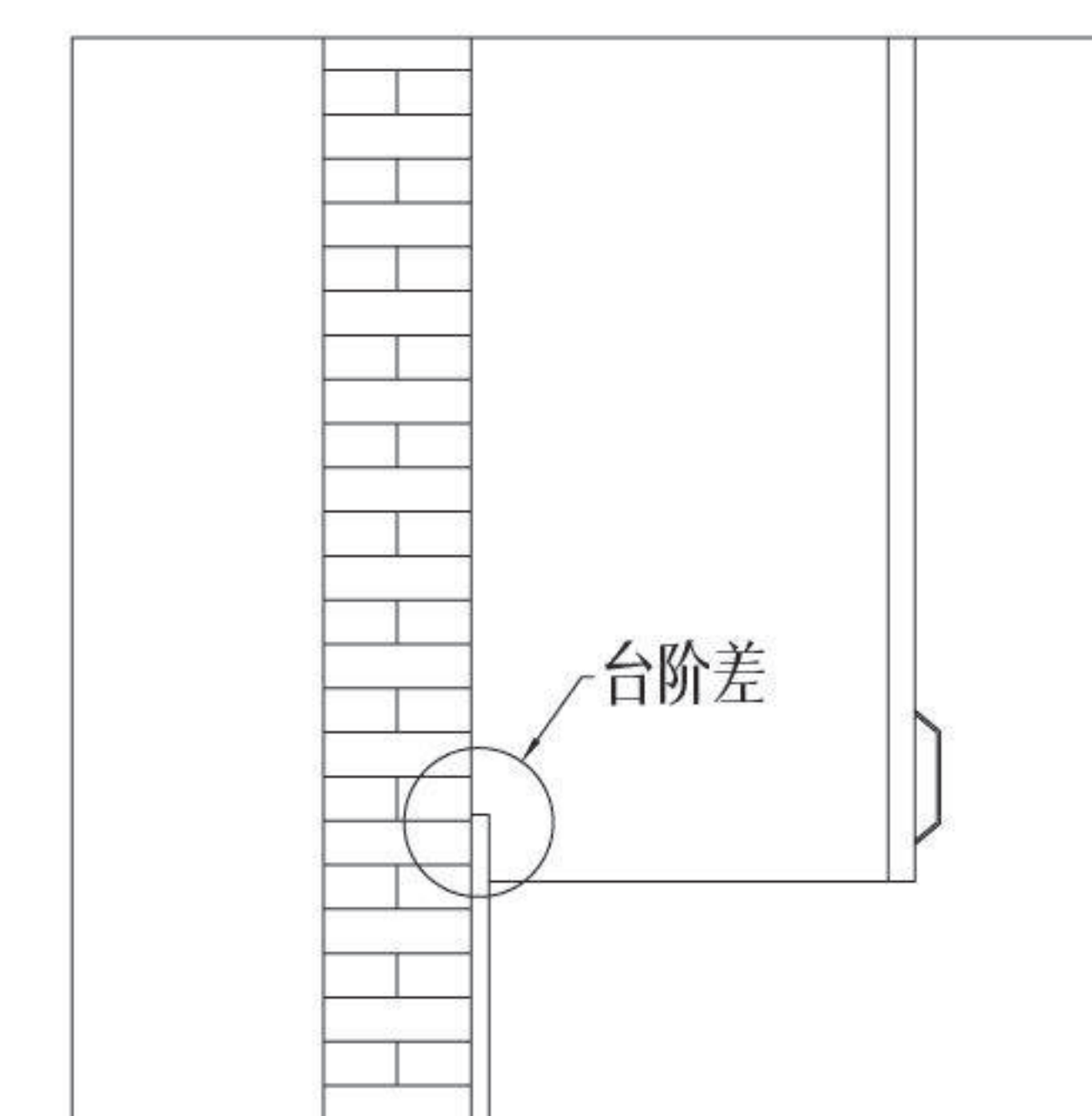


Fig. 1

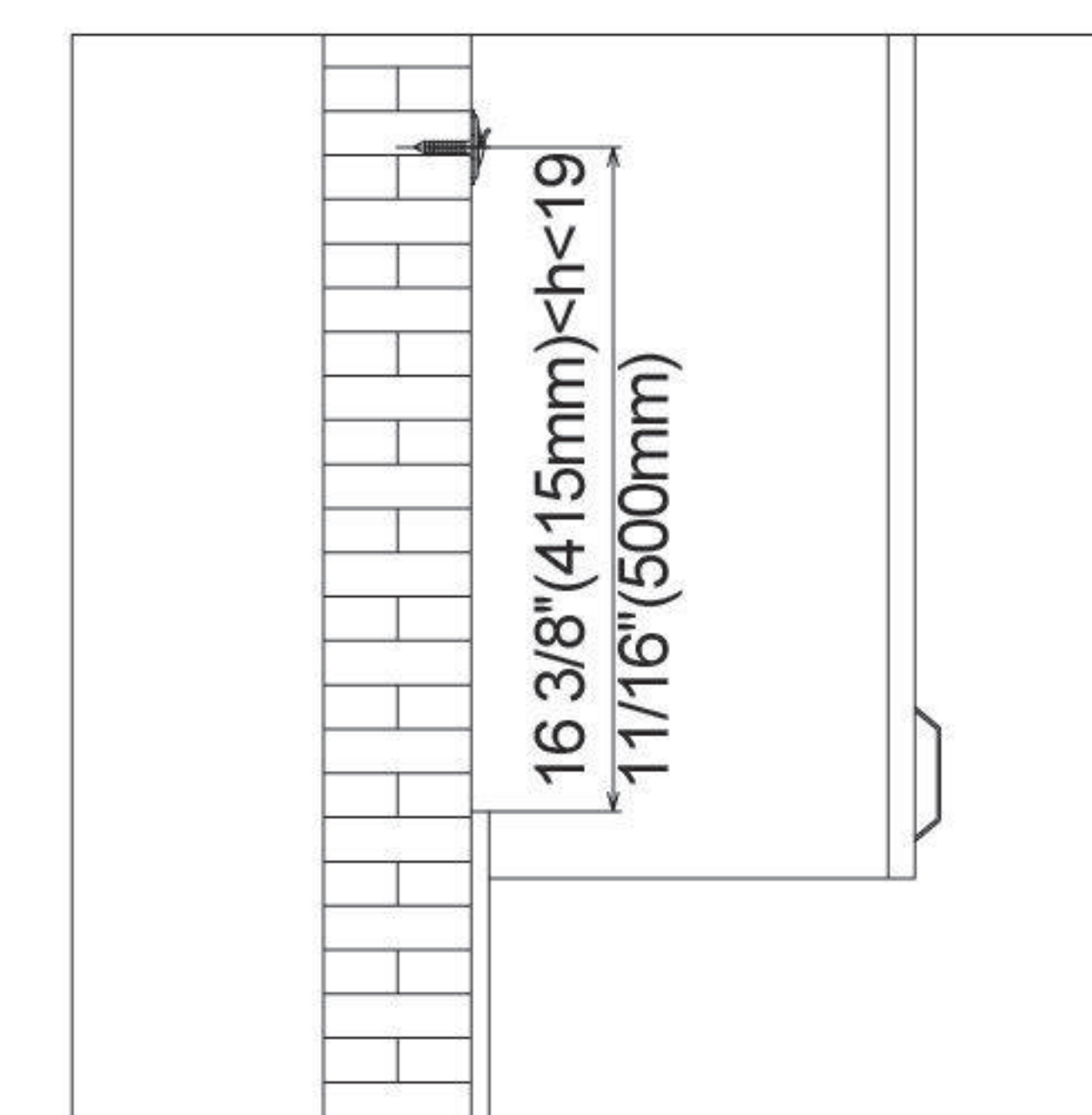


Fig. 2

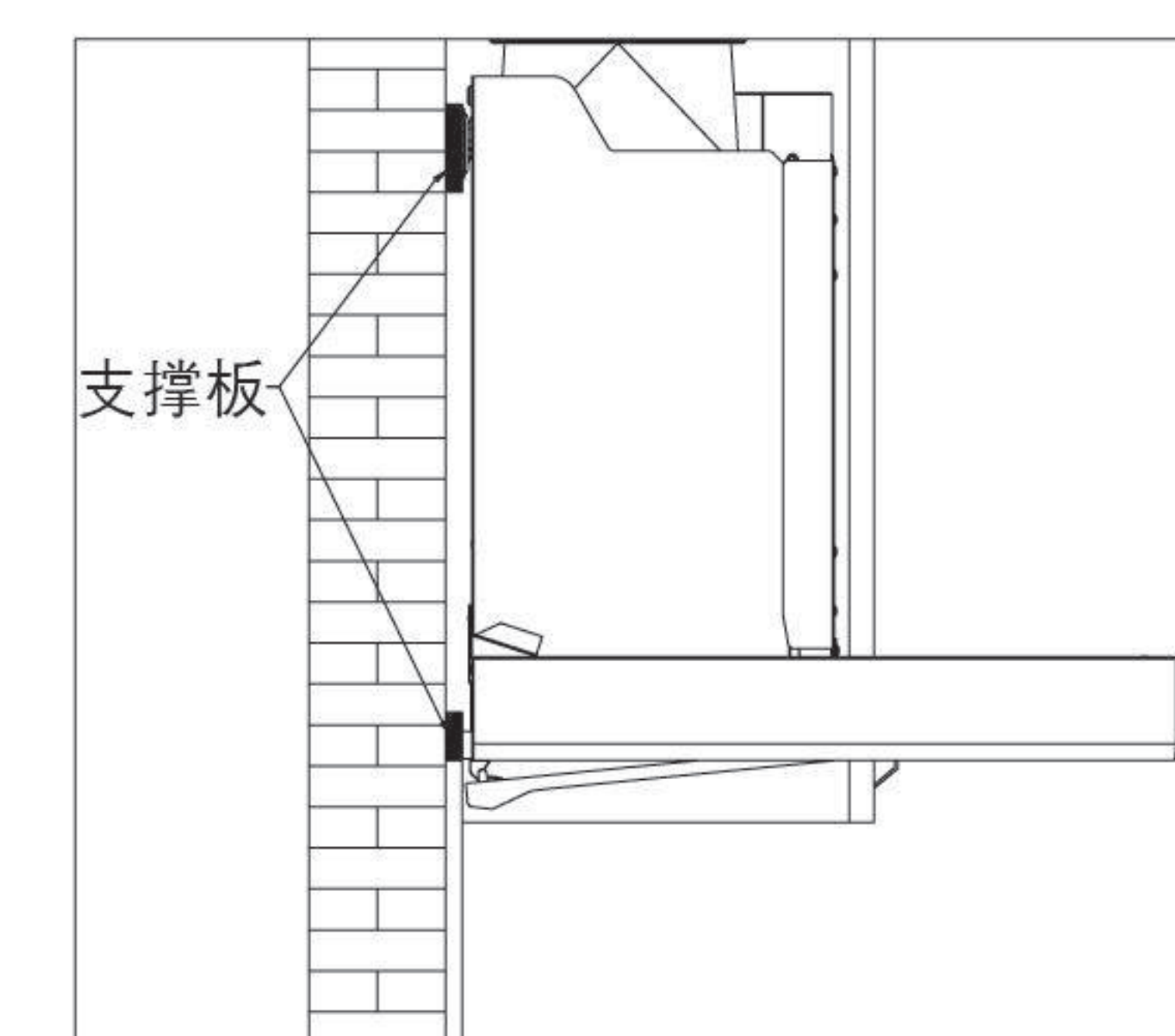
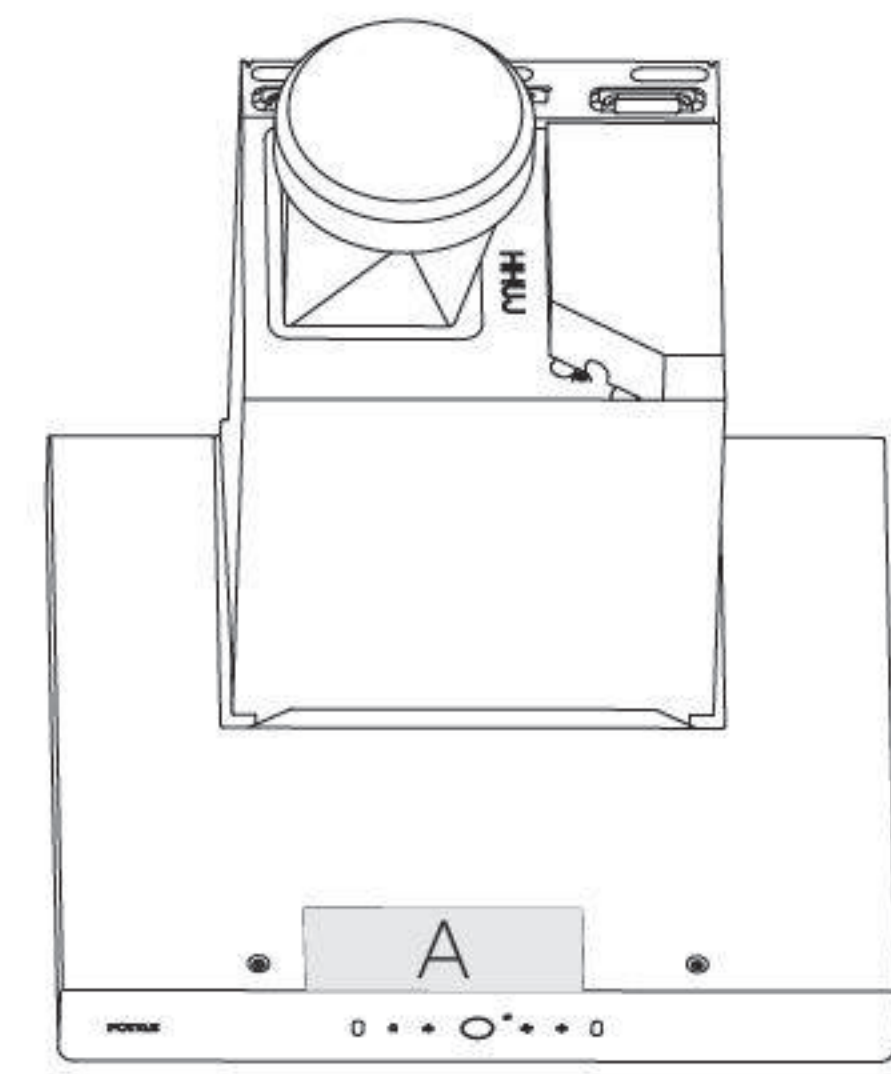




Fig. 3

重要

- 请在安装前阅读所有安装指导，保存此说明书以备当地巡检参考和日后参阅。
- 此产品安装必须遵守国家电力法，也要遵守各个州、市政和地方的法规。
- 请为此产品配备合适的断路器，并在安装时将产品可靠接地。
- 必须根据产品铭牌上提供的电压、频率和安培给产品配备合适的电压、频率和安培额定值。
- 此安装必须由方太授权的服务中心或其认可的安装人员完成。
- 安装油烟机前请记录下产品型号和序列号。产品型号和序列号请参考以下图示A说明。
- 安装油烟机的挂钩和橱柜必须能承受油烟机的3倍重量。

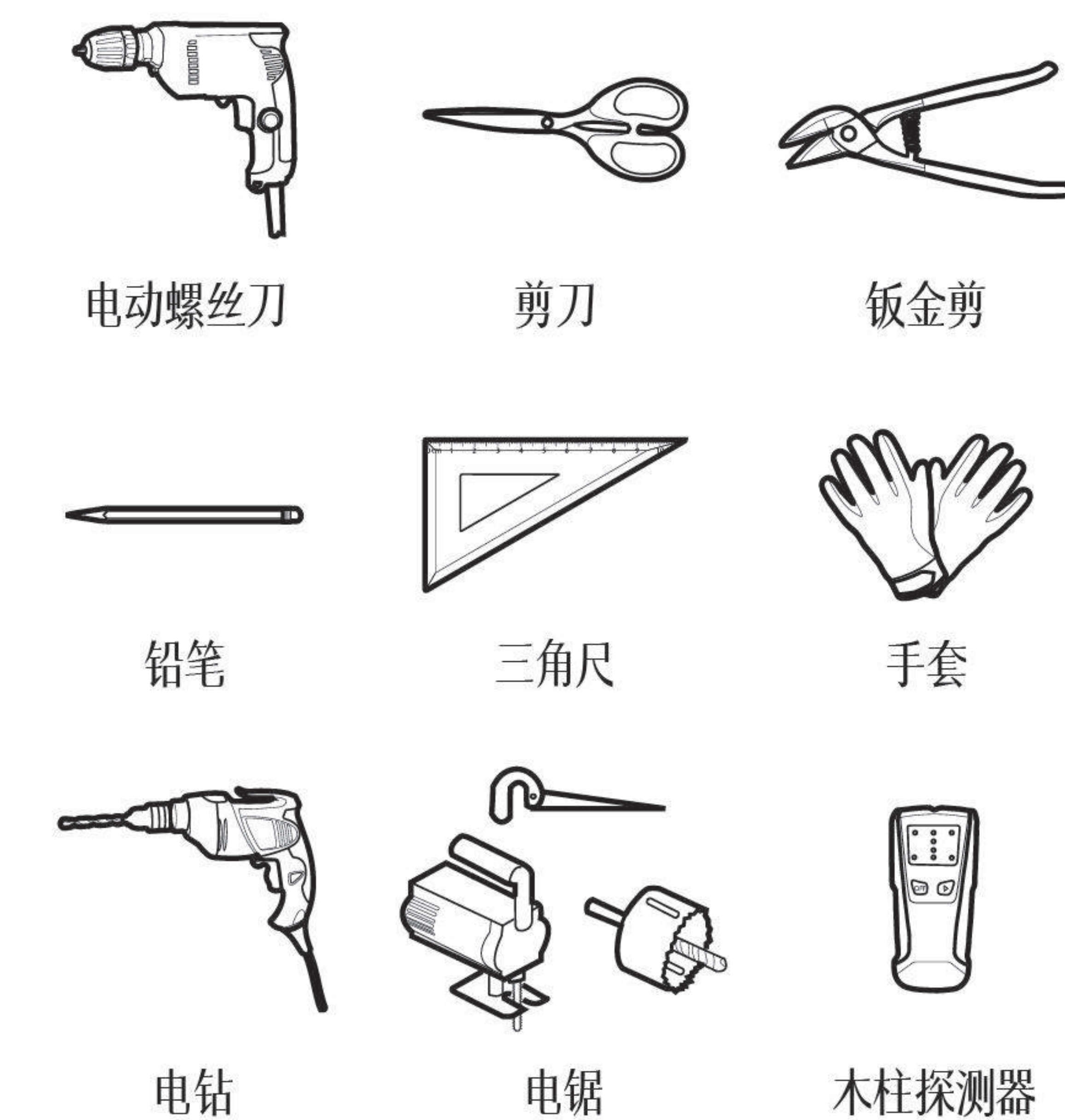


随货配件 装箱单

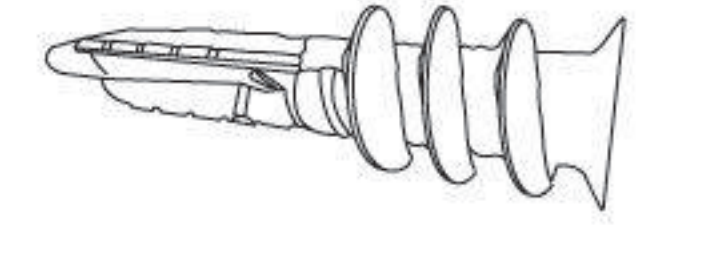
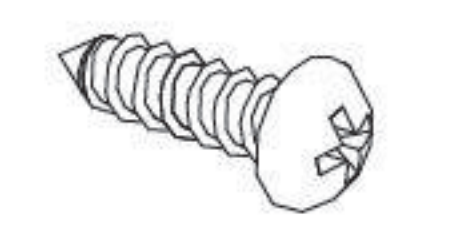
	主机	1
	出风管 + 铝箔胶带	1
	挂钩	1
	保修卡	1
	挂钩螺钉 #8×1 7/16" (ST4.2×36mm)	7
	瓷砖膨胀管 Φ3/16"×1 5/8" (Φ5.3×32mm)	7

工具配件

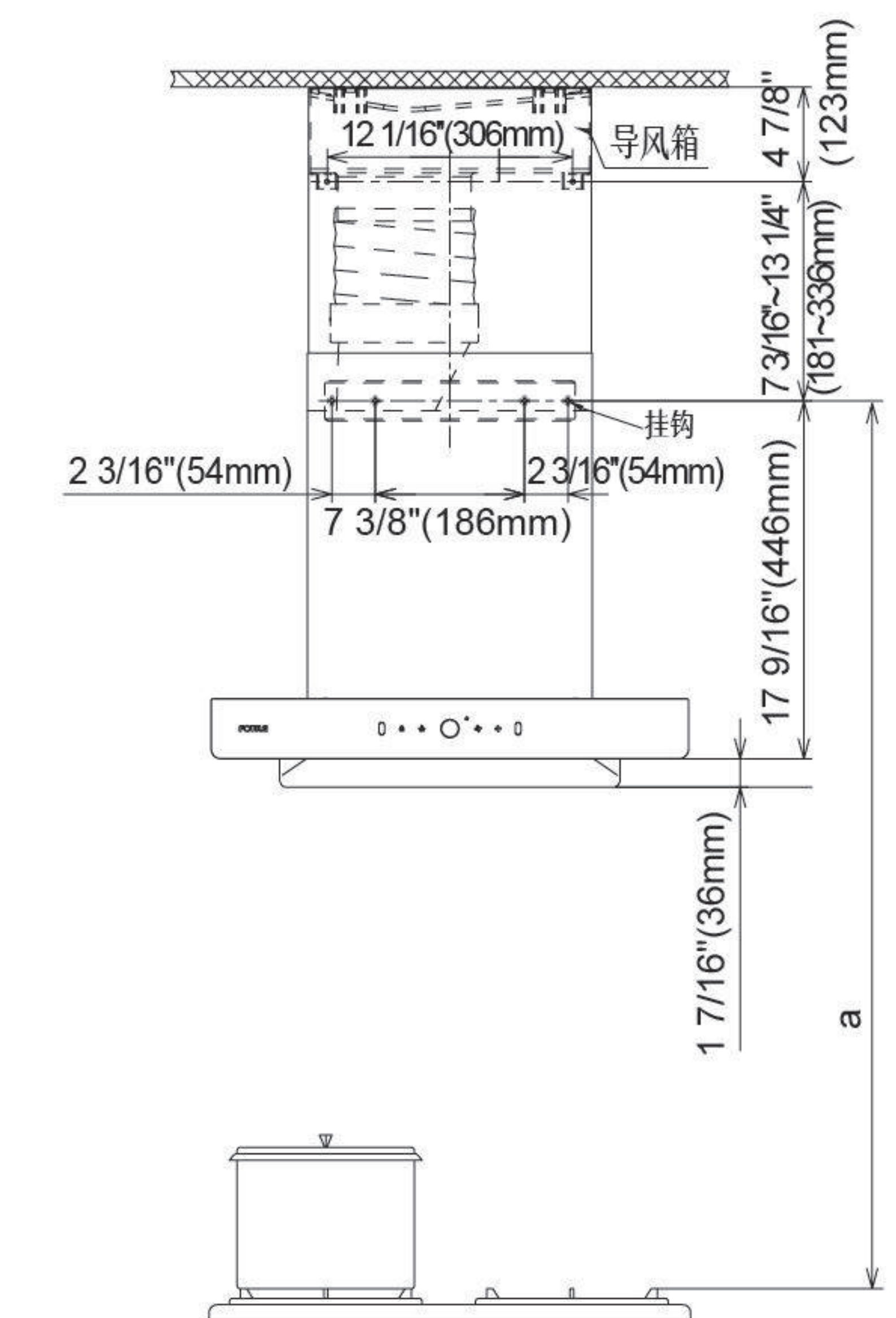
所需工具



	出风罩螺钉 #8×3/4" (M4×18mm)	8
	风机架螺钉 #4×1/4" (M4×6mm)	2
	风机外罩	1
	装饰罩	1
	导风箱	1
	蝶翼板	1
	前滤网	1
	蝶翼板挂架组件	1
	出风罩	1
	上密封垫	1
	产品使用说明书	1

	木螺钉#10×2 9/16" (ST5×65mm)	4
	石膏板膨胀管 Φ3/16"×1 5/8" (Φ4×40mm)	4
	出风管螺钉 #4×3/8" (ST3.9×9.5mm)	4
	装饰罩挂钩螺钉 #4×3/4" (ST2.9×19mm)	2

安装示意 内循环安装

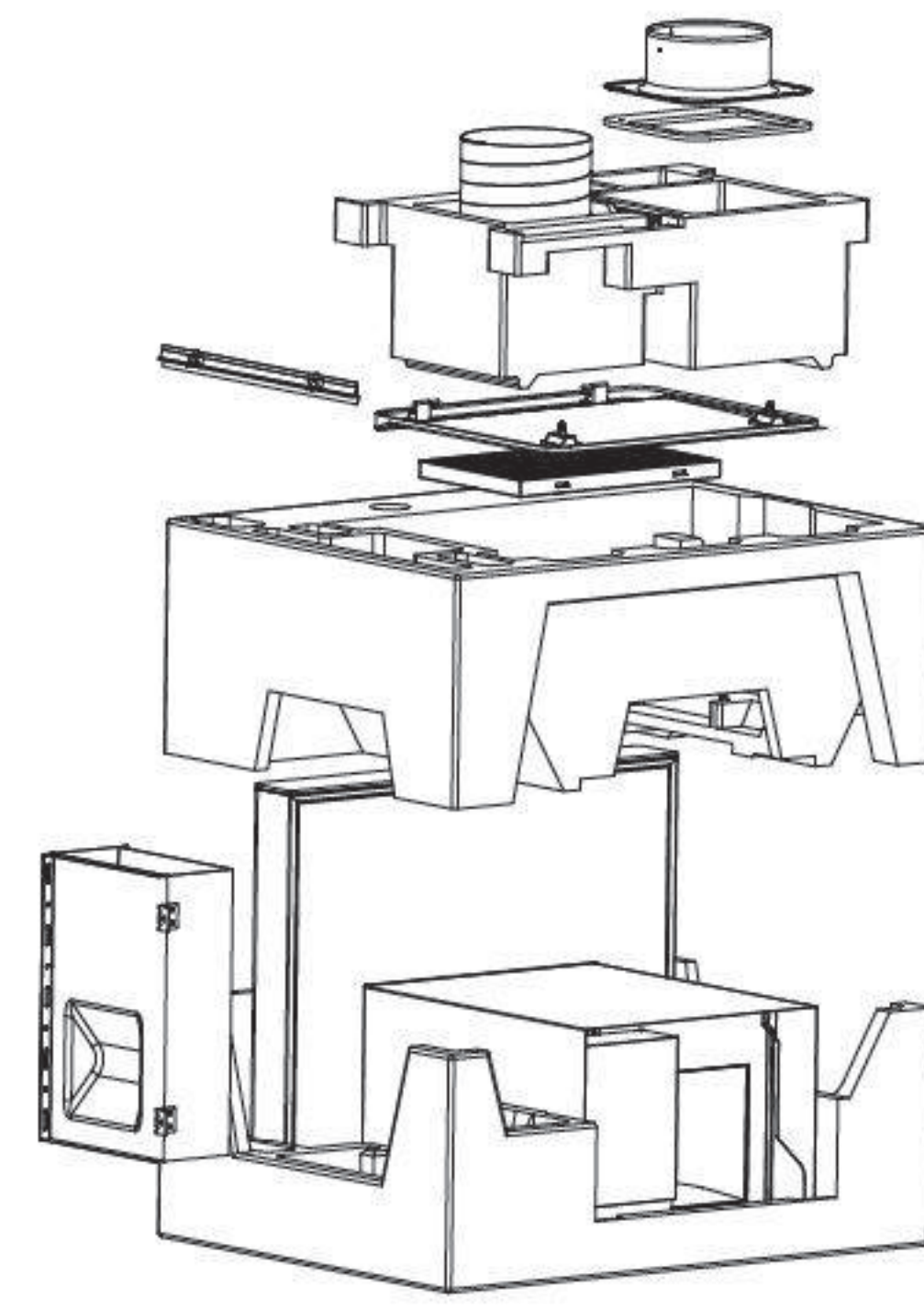


a=43"~44 5/8" (1092mm~1132mm) (美国)
a=44 5/8"~46 9/16" (1132mm~1182mm) (加拿大)

吸烟机的安装高度(即炉灶上烹饪器具的支承面与吸油烟机最低部位的距离)为24 1/16"~25 5/8" (610mm~650mm) (美国)/25 5/8"~27 9/16" (650mm~700mm) (加拿大), 此安装高度为推荐值, 图示橱柜与吸油烟机搭配示意仅供参考, 当本产品的安装高度(即炉灶上烹饪器具的支承面与吸油烟机最低部位的距离)低于24 1/16" (610mm) (美国)/25 5/8" (650mm) (加拿大)时,

低于24 1/16" (610mm)(美国)/25 5/8" (650mm)(加拿大)部分的所有部件均为吸烟机的不易燃部件或工作在安全特低电压下的部件,且这些部件变形时,不会影响对触及带电部件的防护。(如所属地区有相关法律规定油烟机安装高度,建议遵守相关法律,但产品的吸油烟效果可能会受到一定影响。)

1. 打开包装箱拿出主机,清点装箱清单(装箱清单见P68);
注意:请确保将环吸板挂架取出后备用,不安装会导致环吸板无法安装。



2. 取下风机外罩、装饰罩:用螺丝刀取下主机背后固定风机外罩的2颗螺钉(见Fig.8),然后双手抓住风机外罩和装饰罩向上将其取出(见Fig.9);

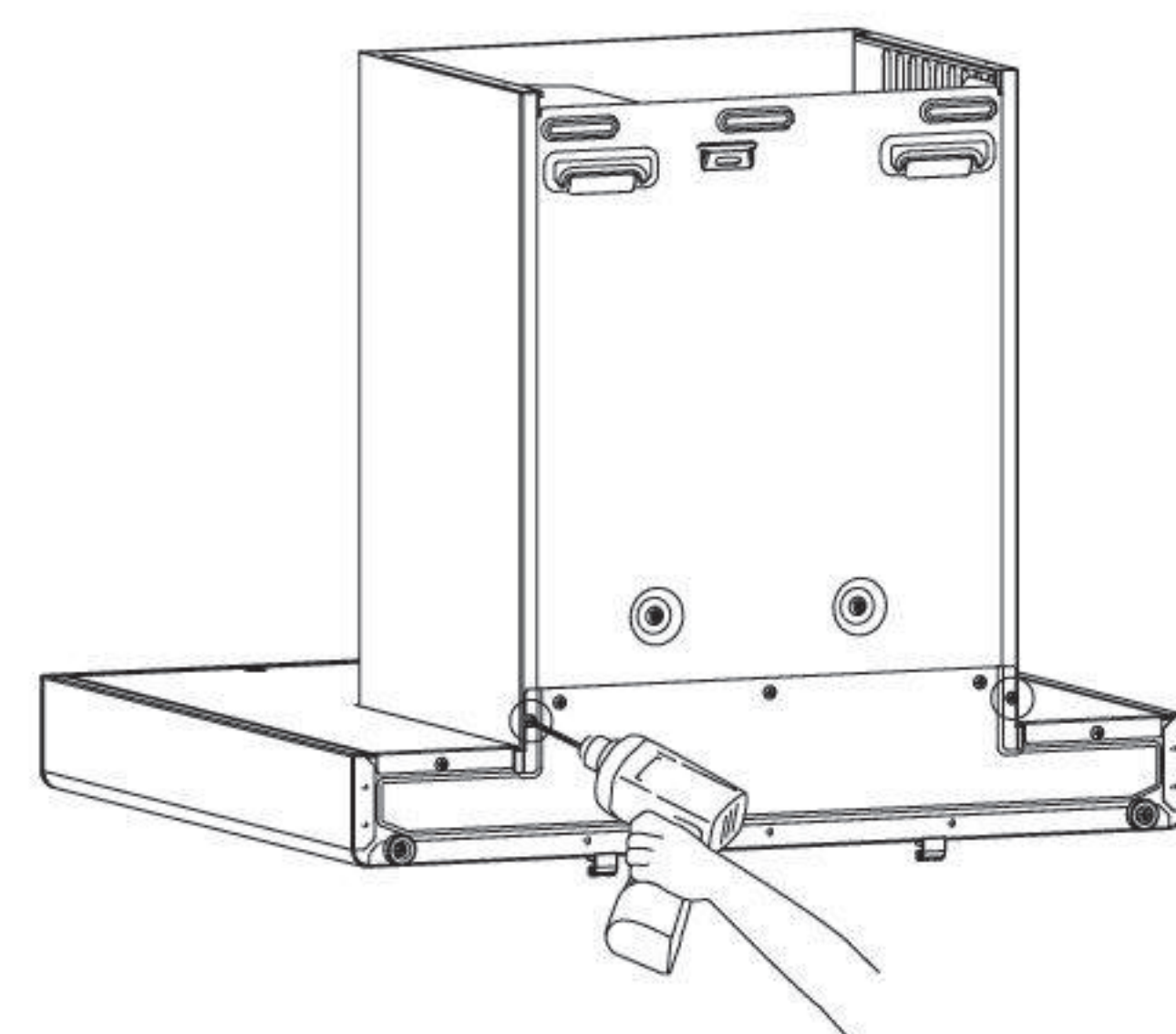


Fig.8

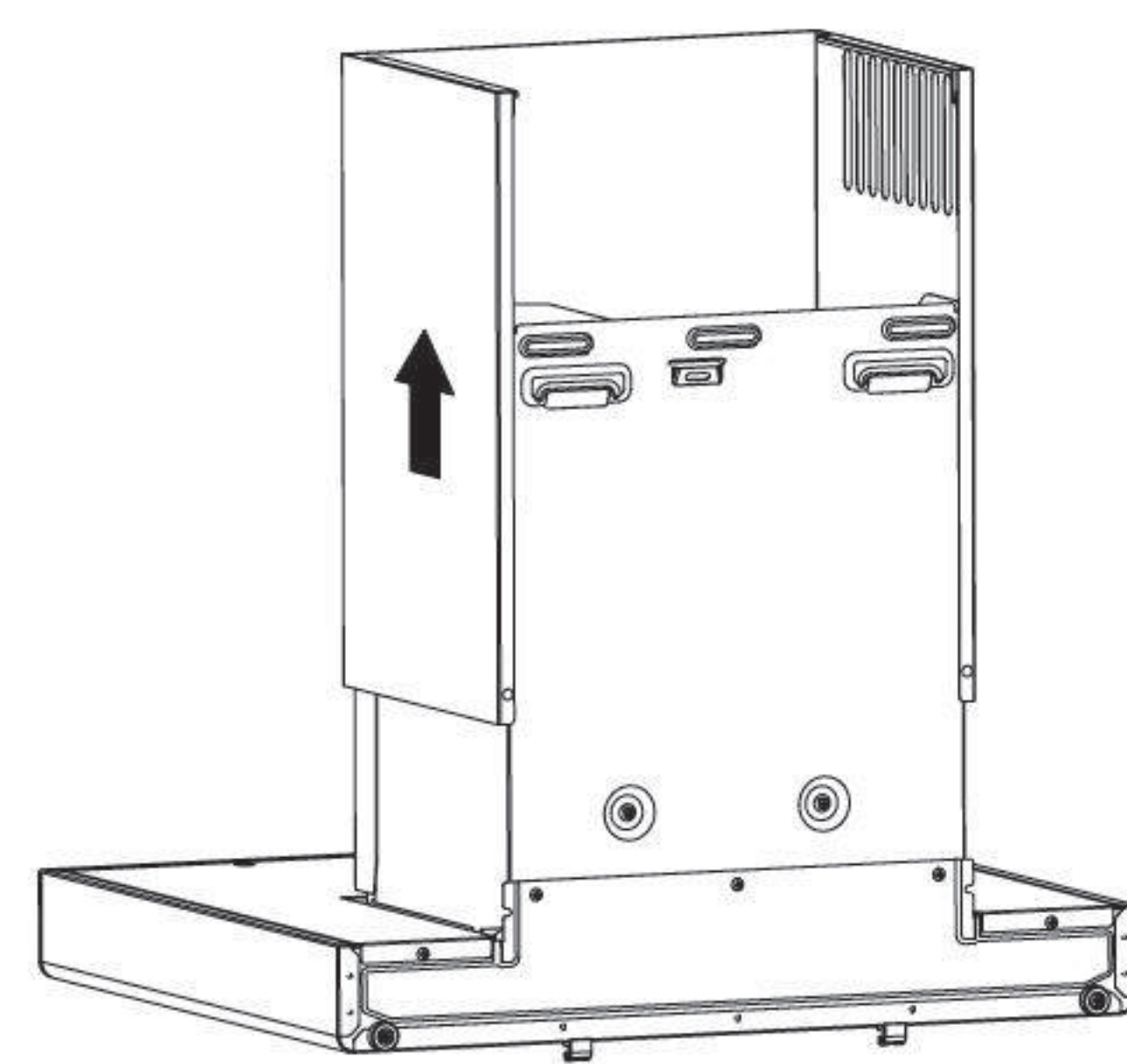
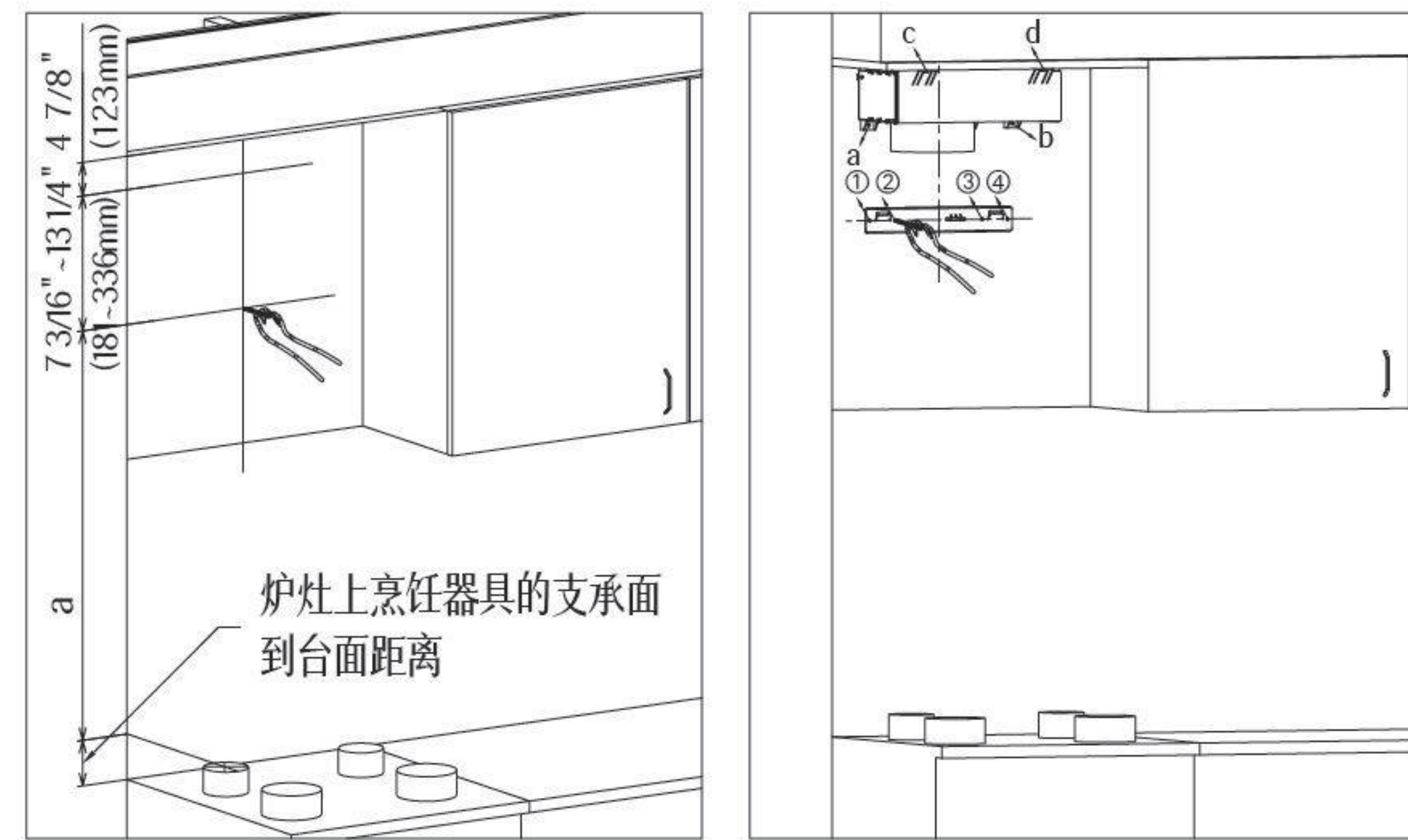


Fig.9

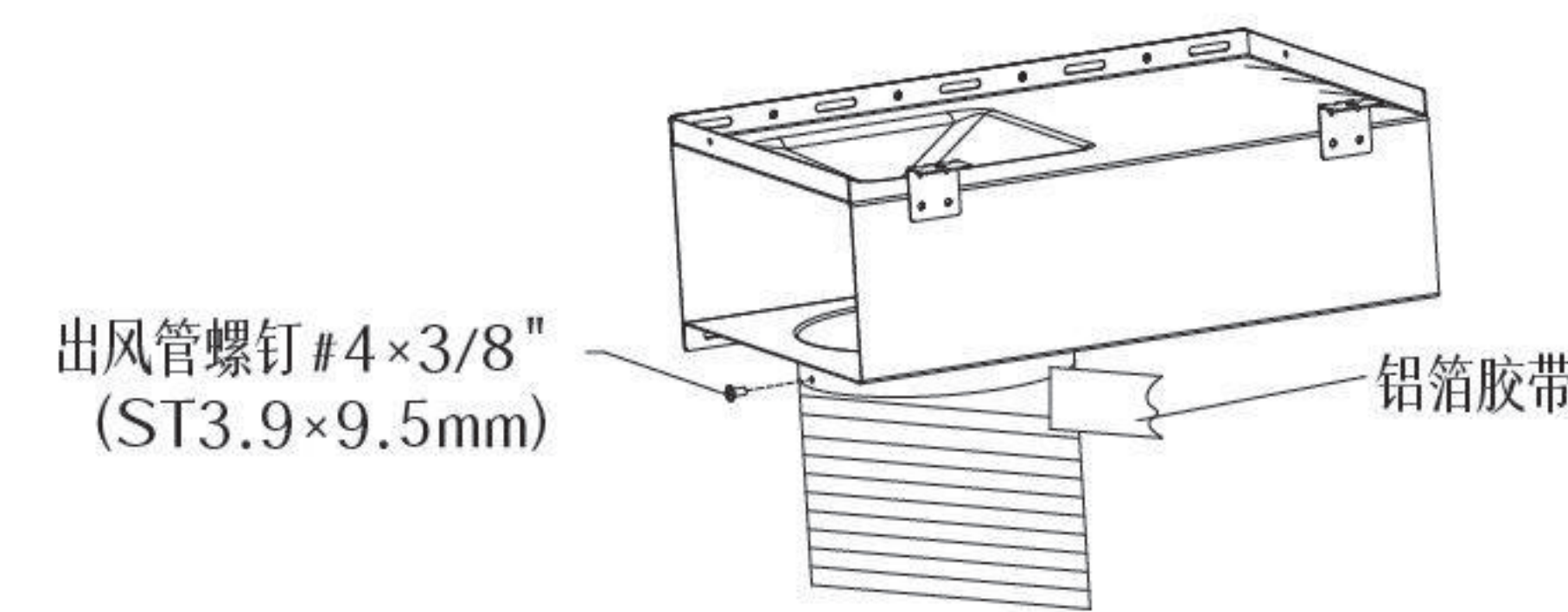
3. 确认固定主机挂钩和导风箱的位置:首先确认油烟机安装中心点,画一条垂直线的中心线,然后以炉灶上烹饪器具的支承面为基准点在坚实的墙壁上准确确定主机挂钩和导风箱安装位置,做好打孔标志。

主机挂钩尺寸为:炉灶上烹饪器具的支承面到挂钩螺钉孔43"-44 5/8"(1092mm~1132mm)(美国)/44 5/8"-46 9/16"(1132mm~1182mm)(加拿大);导风箱尺寸为:导风箱顶面须贴吊顶安装,导风箱下端螺钉孔到吊顶4 7/8"(123mm),且须保证主机挂钩螺钉孔到导风箱下端螺钉孔在7 3/16"~13 1/4"(181~336mm)范围内;



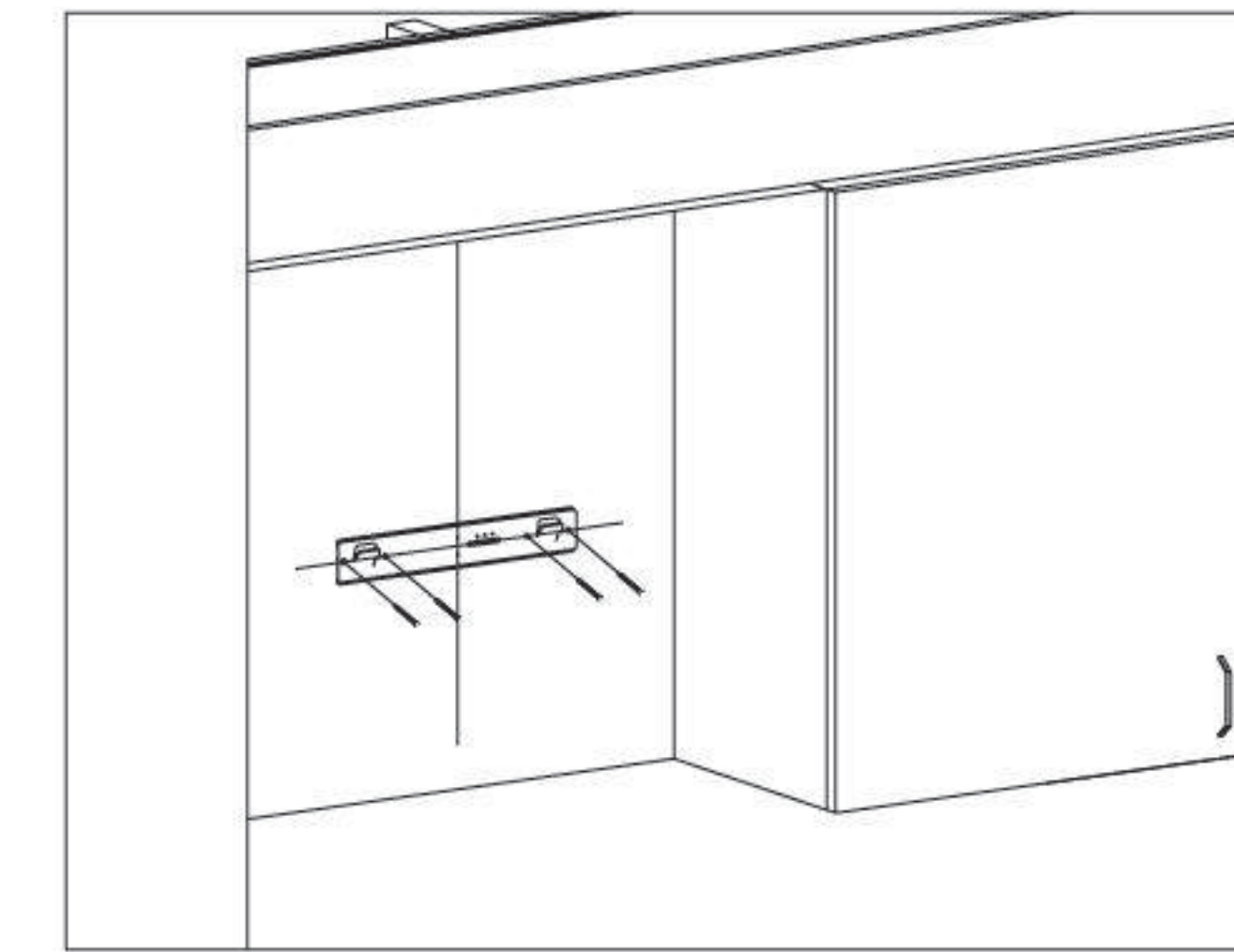
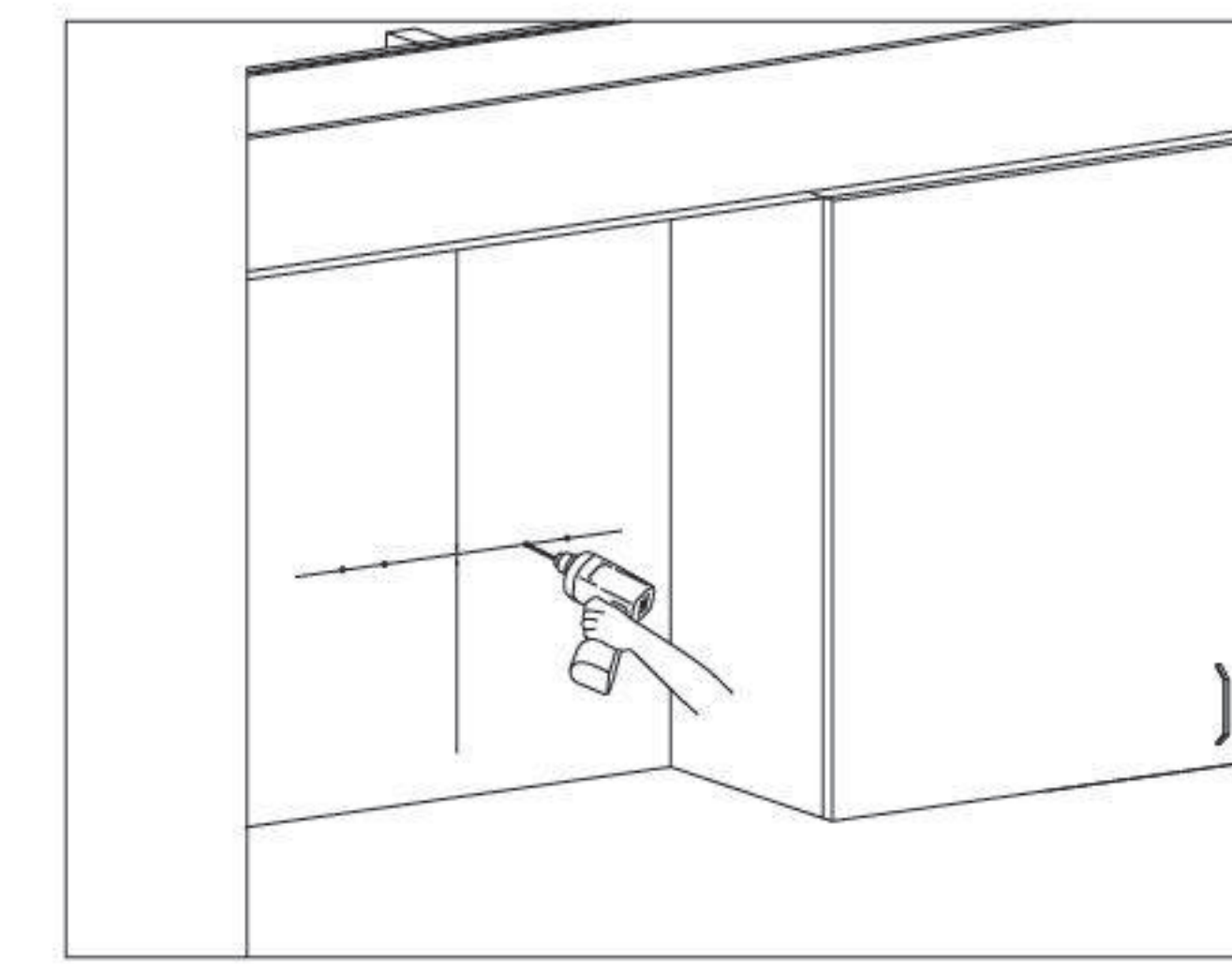
注:若发现瓷砖、大理石、玻璃等装饰板突出于挂钩安装面,则请参考P67“安装注意事项”。

4. 先用2颗出风管螺钉#4×3/8"(ST3.9×9.5mm)将出风管固定在导风箱上,然后用铝箔胶带密封固定;



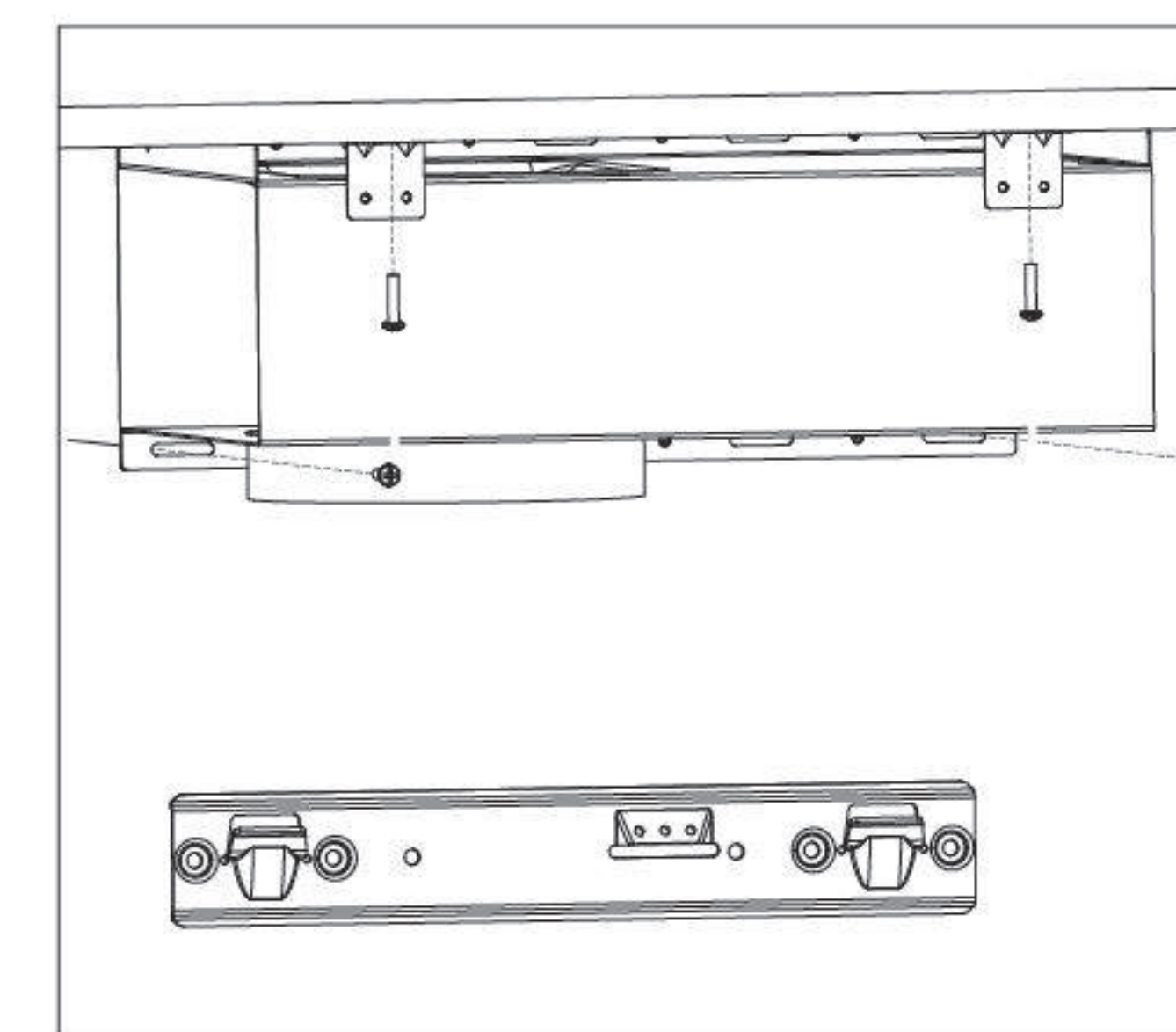
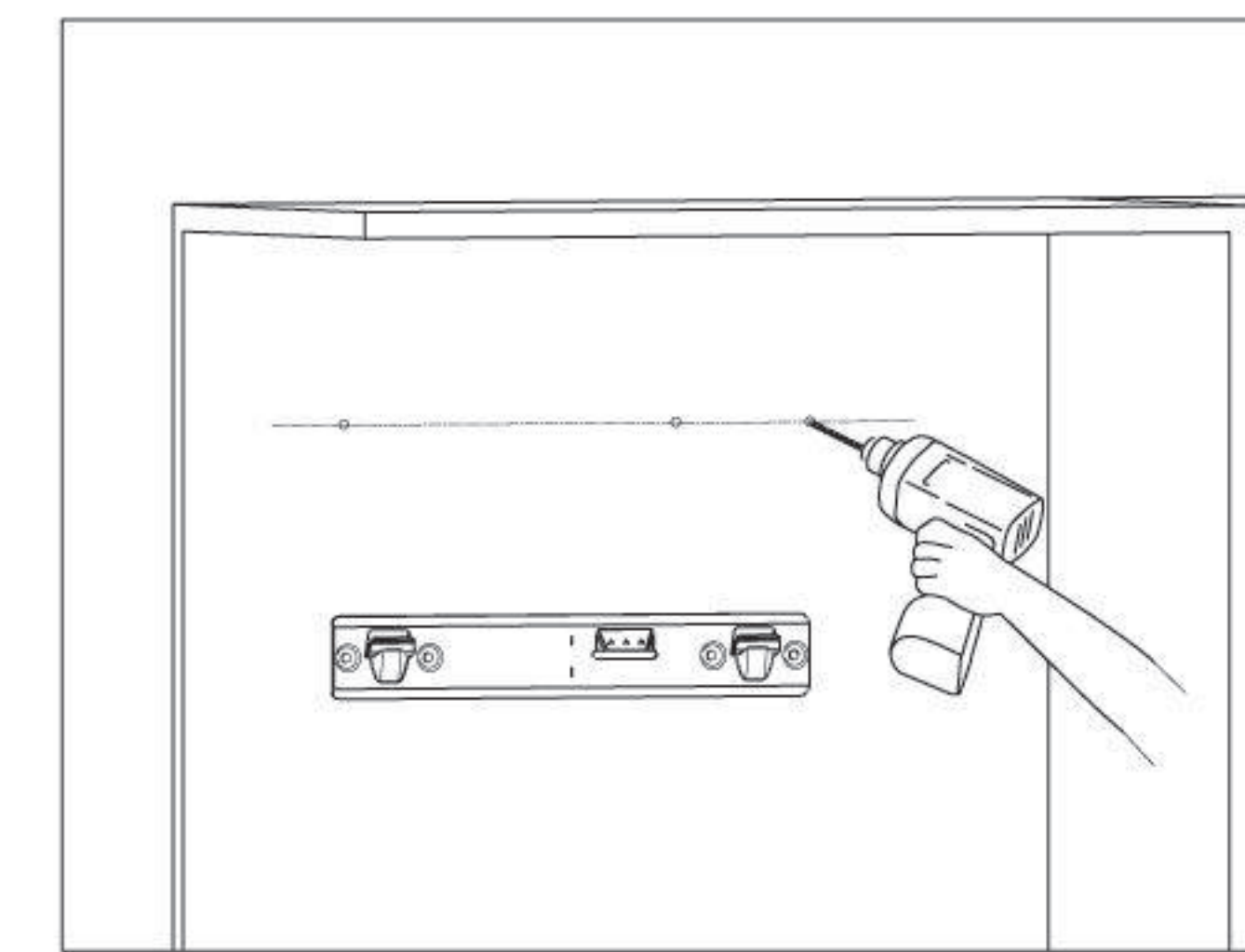
5. 固定主机挂钩;

- 1) 打孔标识处是瓷砖(大理石):在打孔标识处用电钻打Φ3/8"(Φ8mm)孔,并埋设瓷砖膨胀管Φ3/16"×1 5/8"(Φ5.3×32mm),用挂挂钩螺钉#8×1 7/16"(ST4.2×36mm)固定挂钩,并用水平尺确保挂钩水平;
- 2) 打孔标识处是石膏板:在打孔标识处直接用螺丝刀将石膏板膨胀管Φ3/16"×1 5/8"(Φ4×40mm)拧进墙面,然后用挂钩螺钉#8×1 7/16"(ST4.2×36mm)固定挂钩,并用水平尺确保挂钩水平。

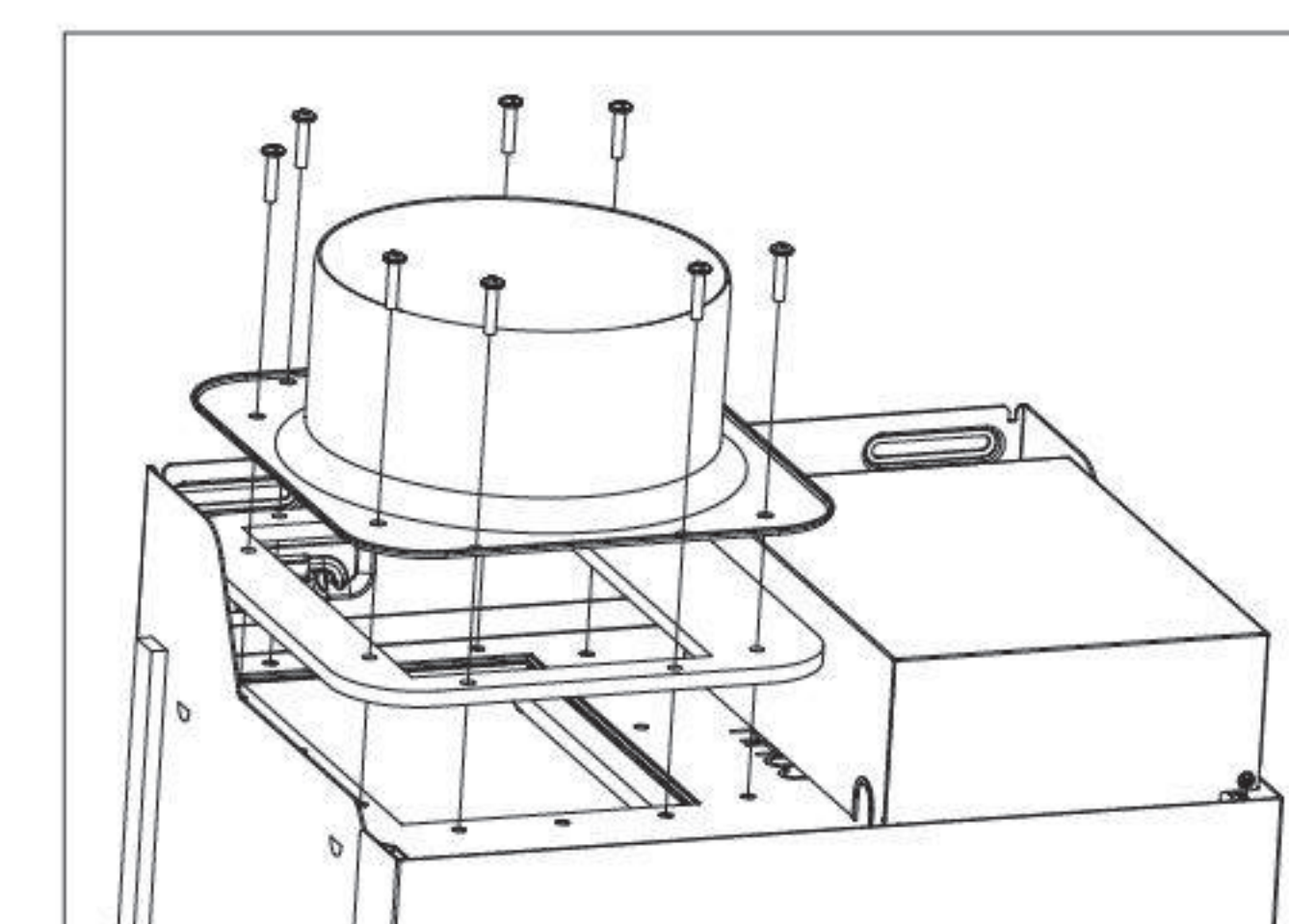


注:固定油烟机挂钩的螺钉必须有2颗固定在墙壁后的木柱上。

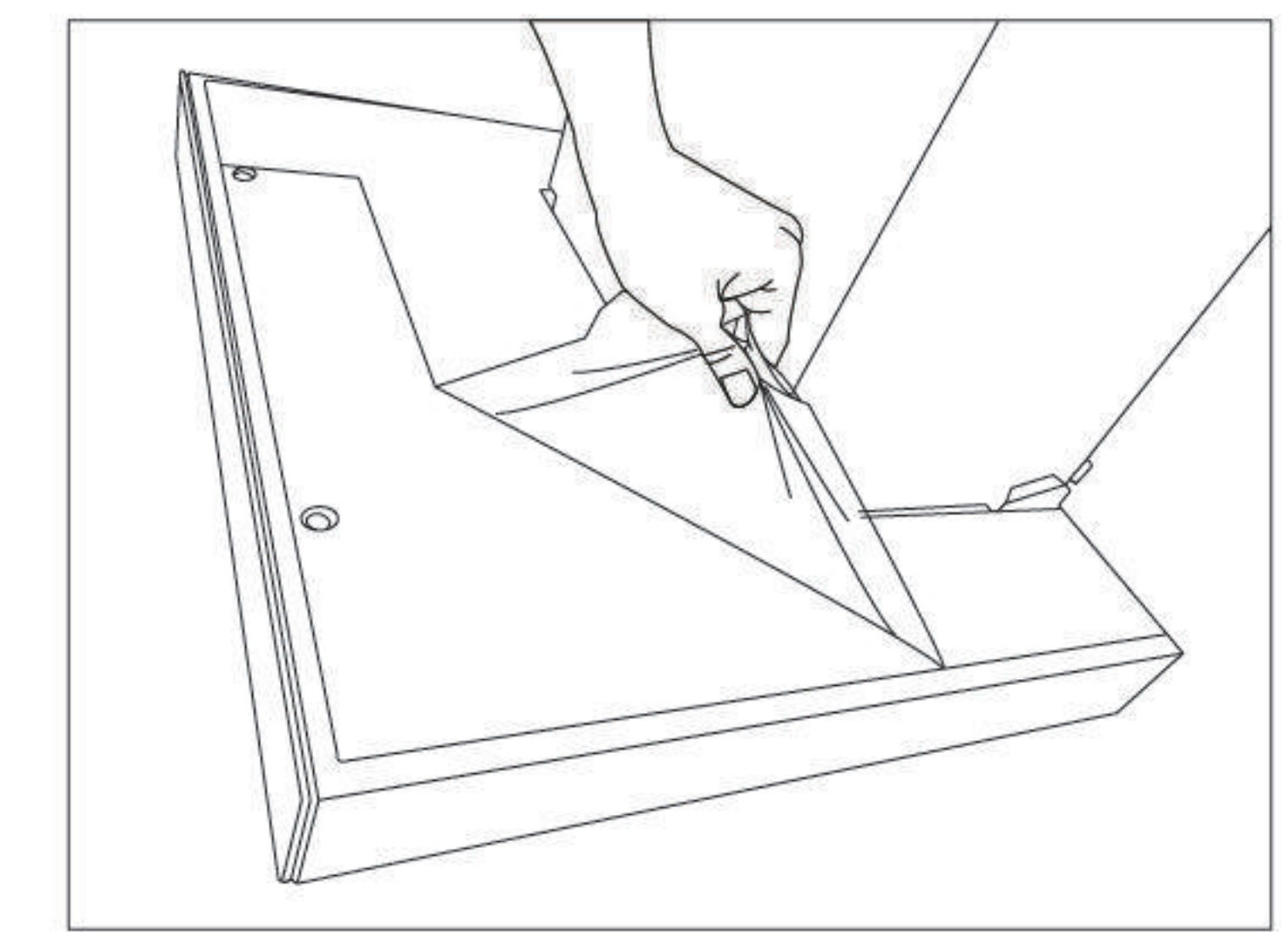
6. 固定导风箱:在打孔标识处(背墙2处,吊顶上2处)直接用螺丝刀将石膏板膨胀管Φ3/16"×1 5/8"(Φ4×40mm)拧进墙面,然后用挂钩螺钉#8×1 7/16"(ST4.2×36mm)固定导风箱;



7. 安装出风罩:用8颗出风罩螺钉#8×3/4"(M4×18mm)将出风罩及密封圈固定在主机出风口处;



8. 把顶板表面保护膜撕掉;

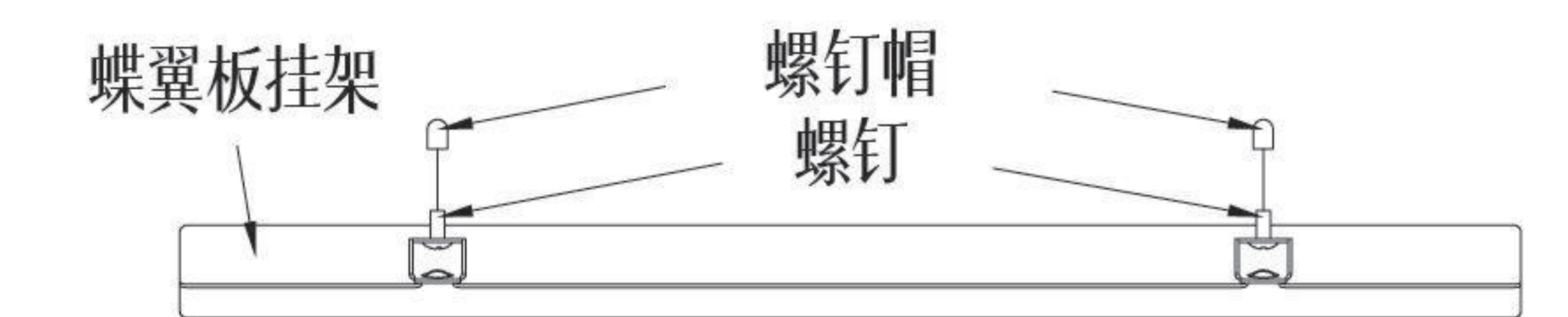


9. 安装蝶翼板挂架;

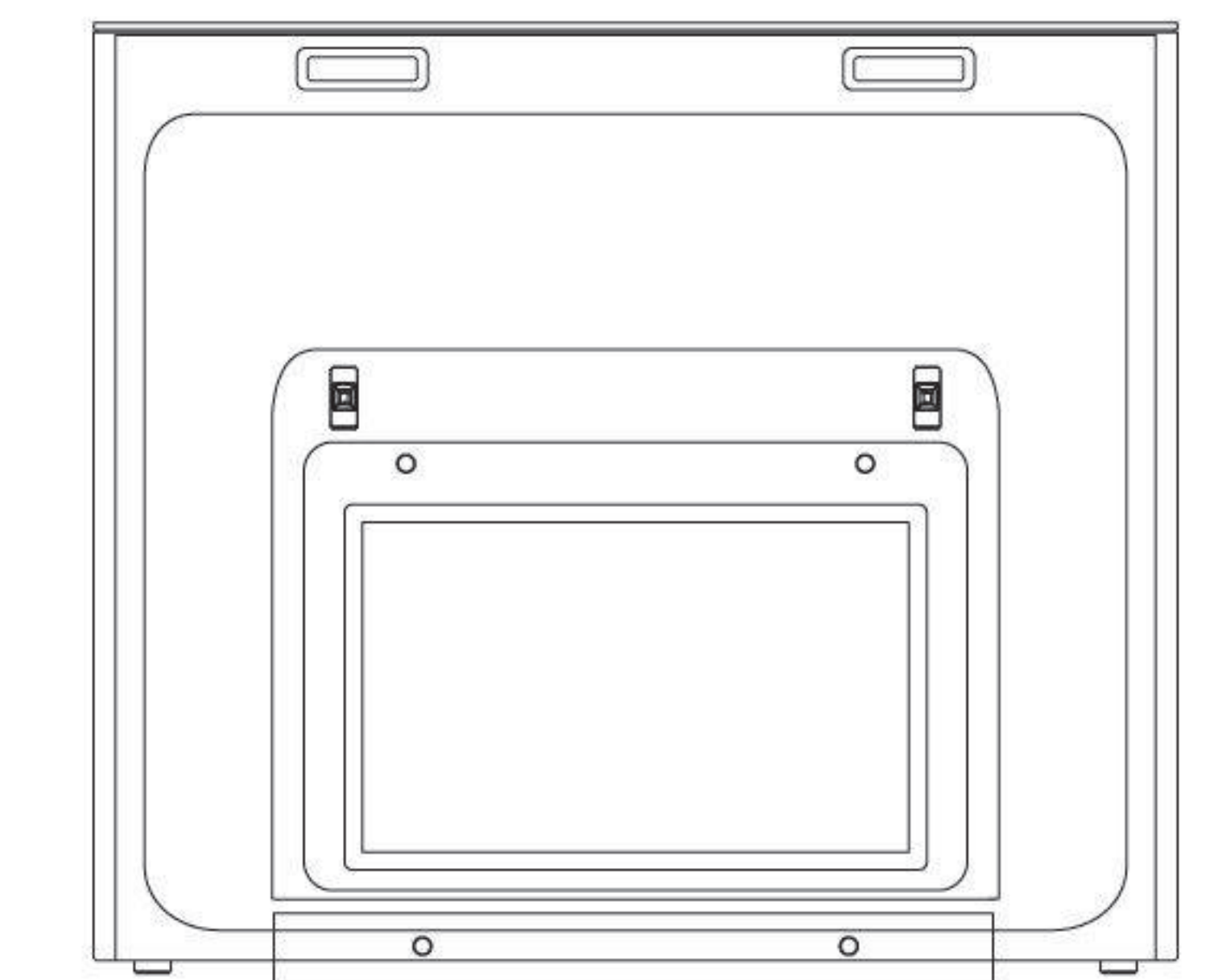
1) 取出蝶翼板挂架组件;



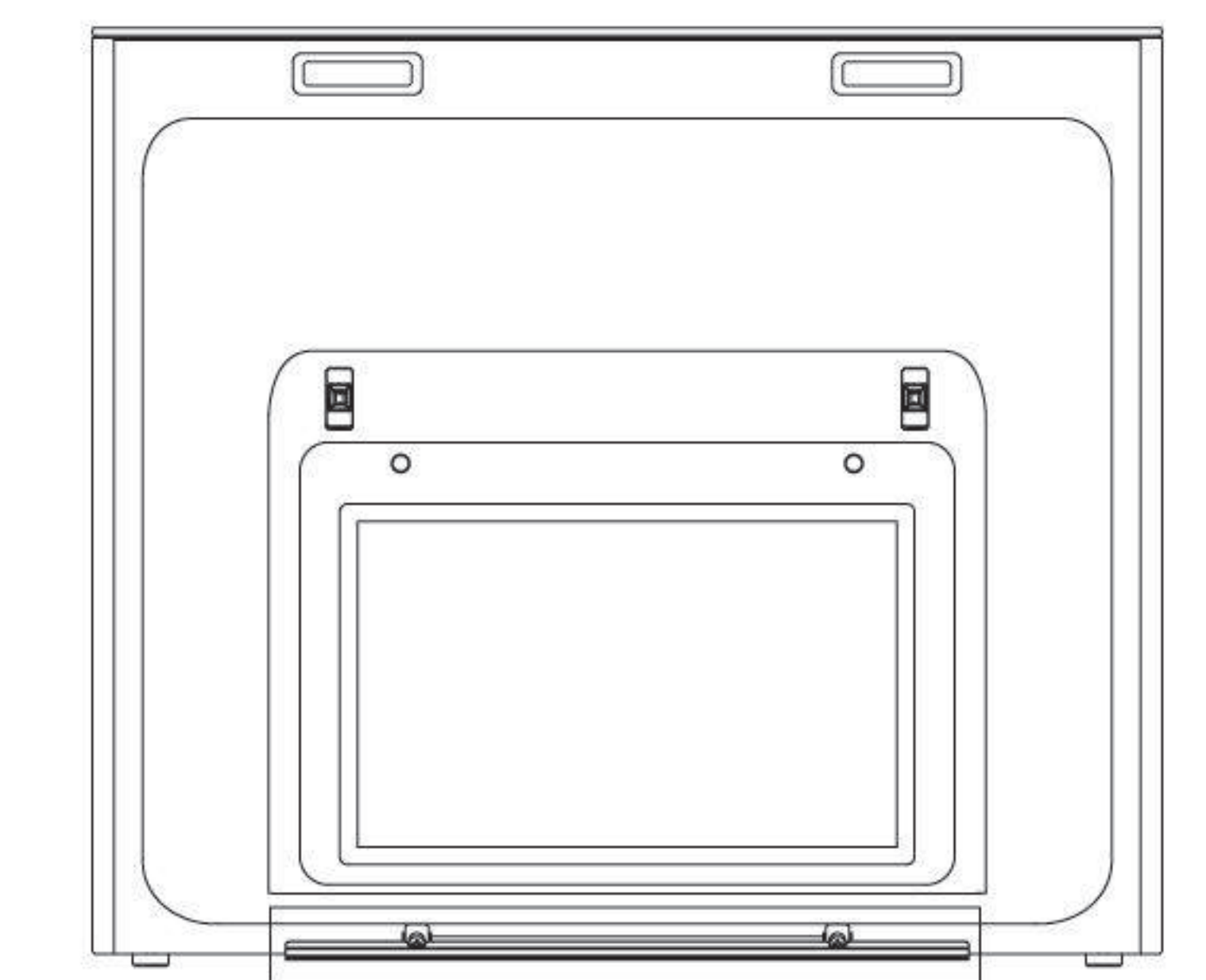
2) 去掉螺丝帽;



3) 用十字螺丝刀将蝶翼板挂架固定在油烟机底部。

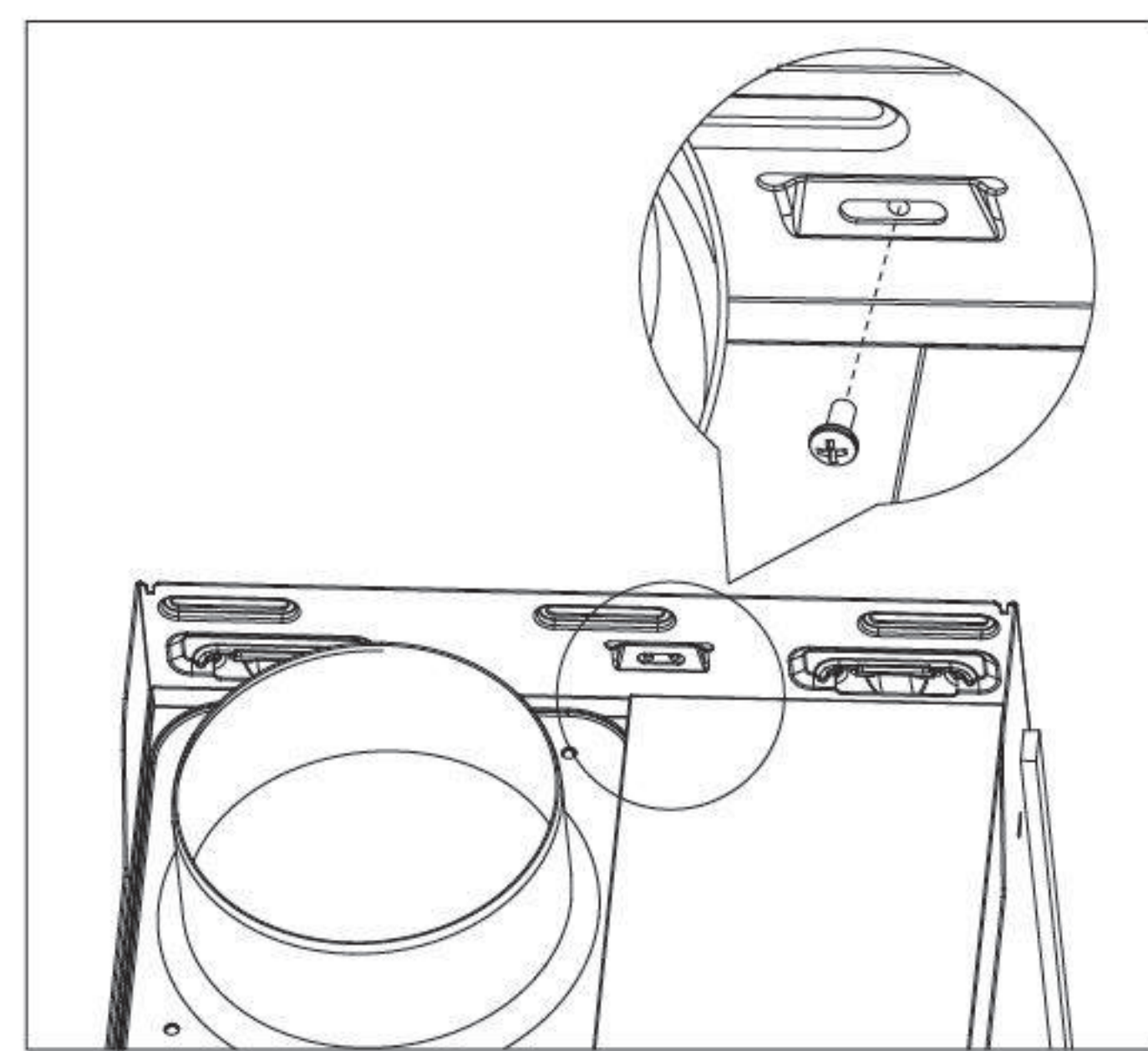
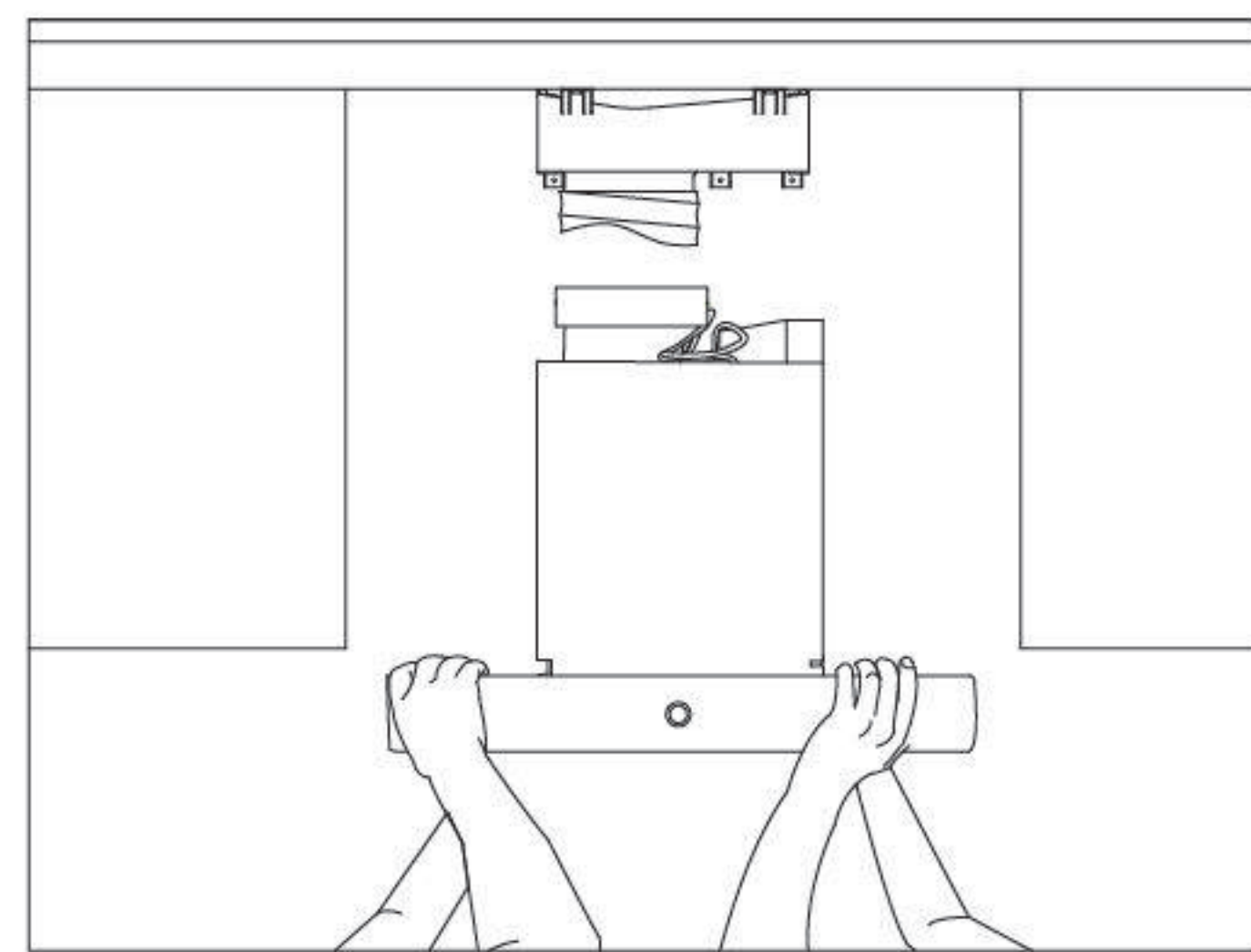
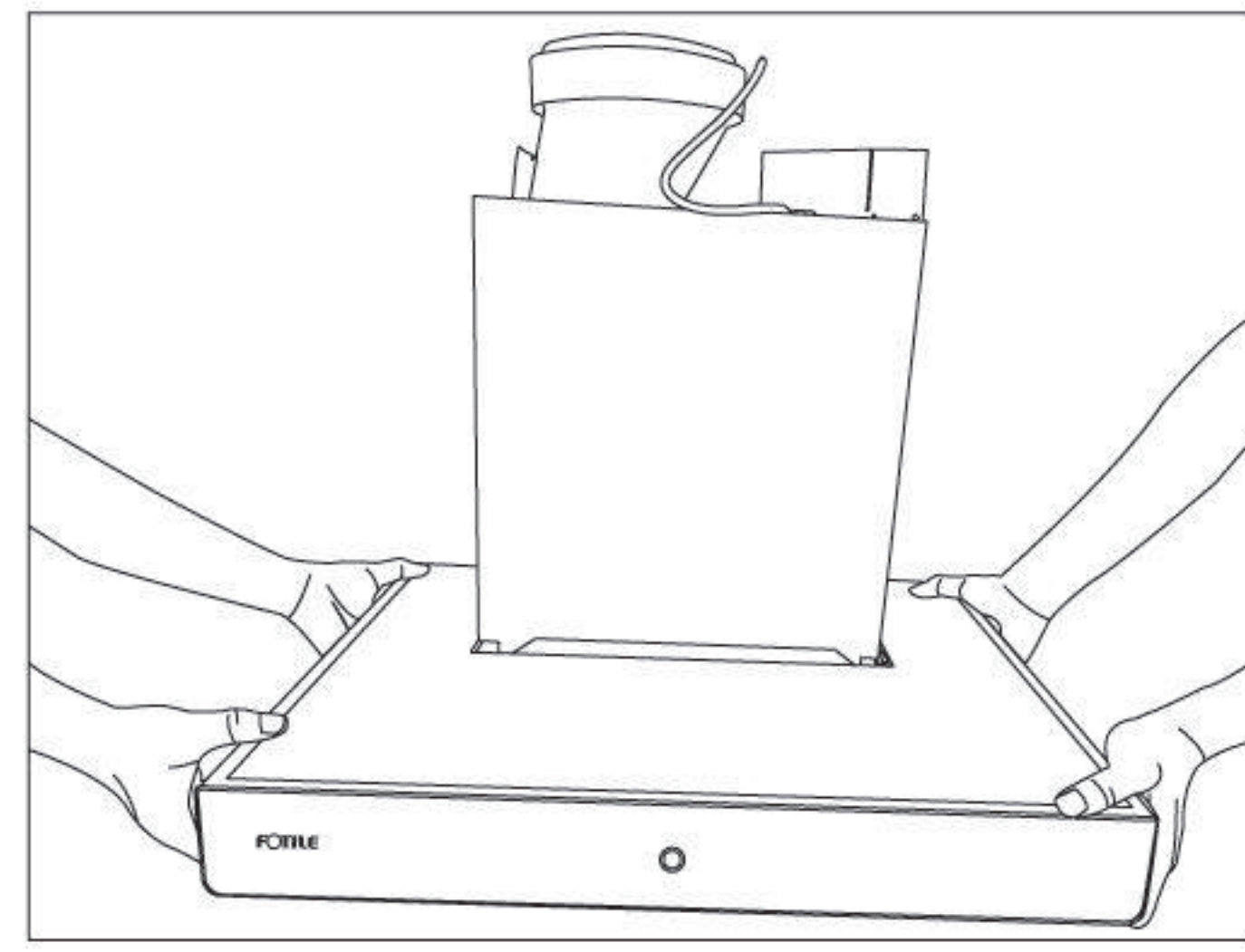


安装前

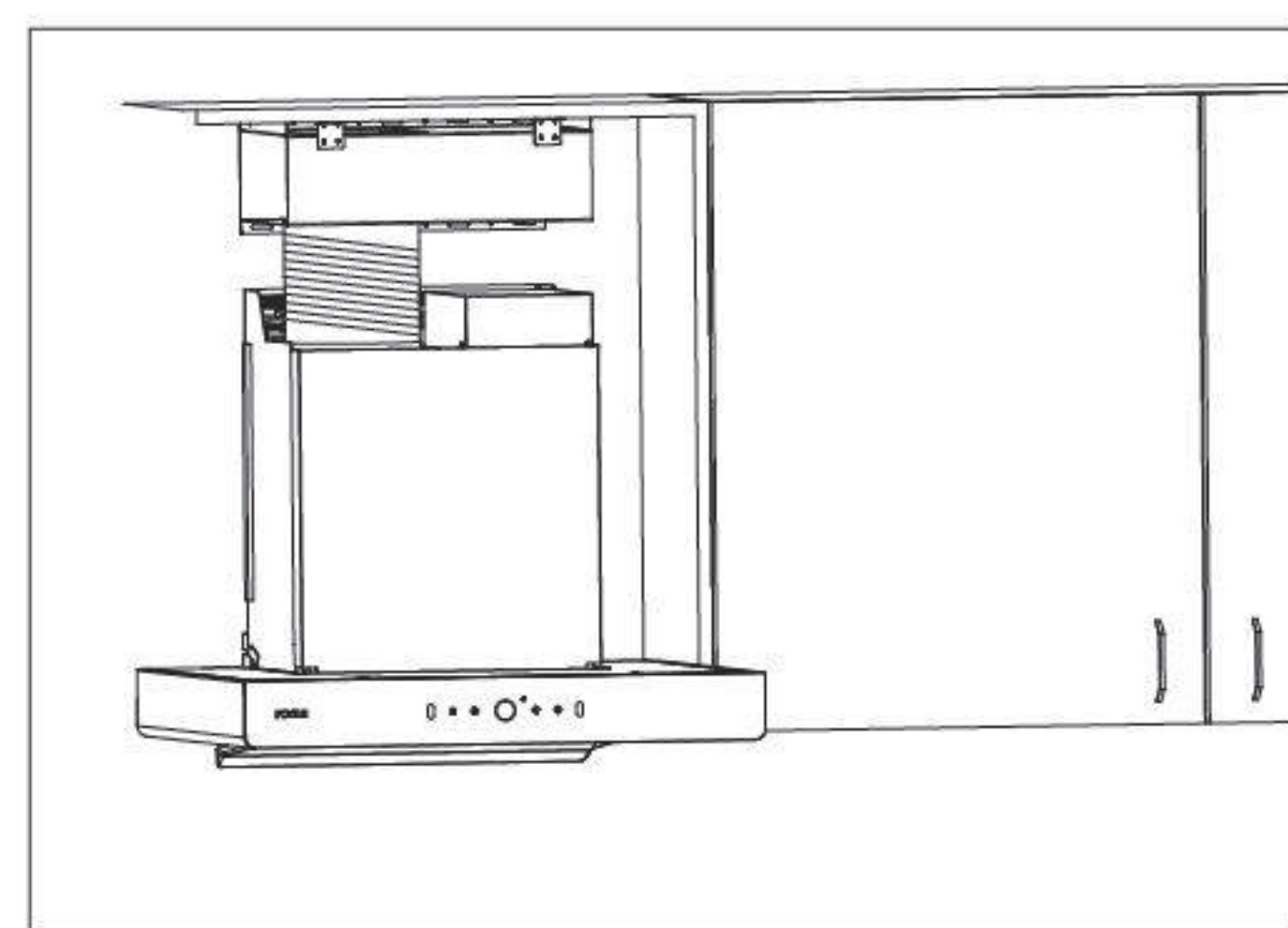


安装后

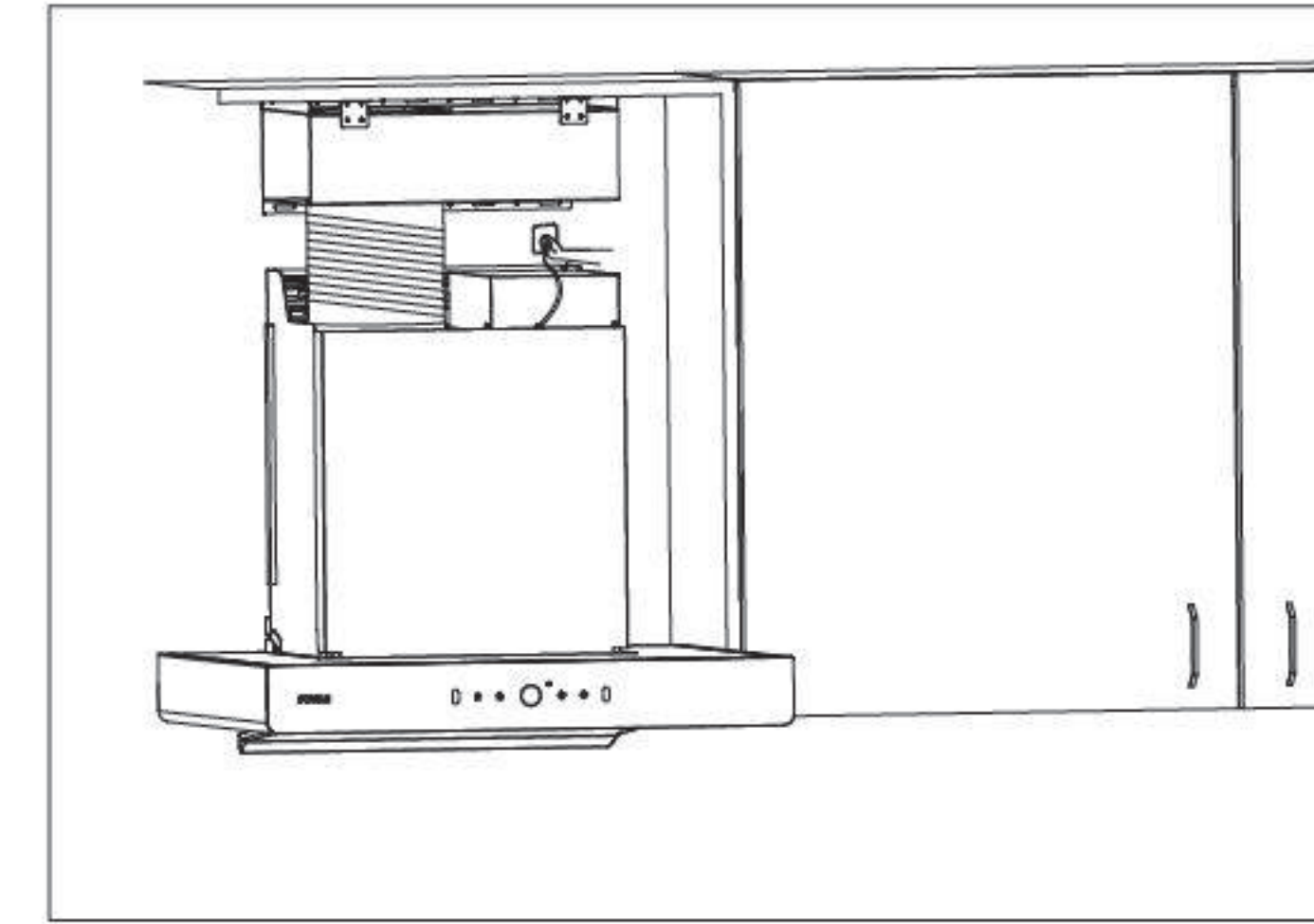
10. 抬起主机，将背部挂钩孔挂入挂钩，用水平尺确认主机水平，并用风机架螺钉 #4×1/4" (M4×6mm) 将风机架与挂钩固定；



11. 连接、固定出风管：用铝箔胶带缠绕密封；

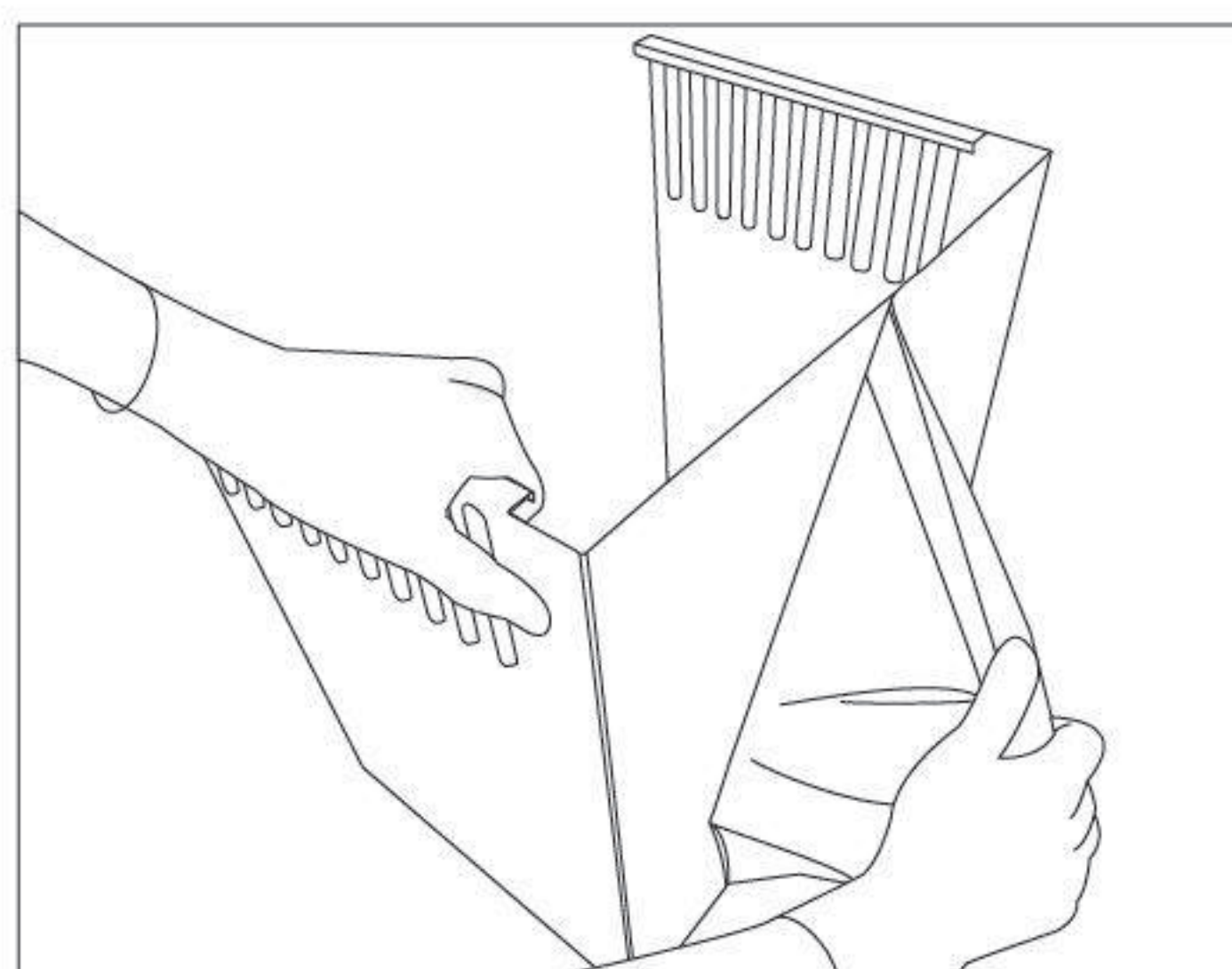
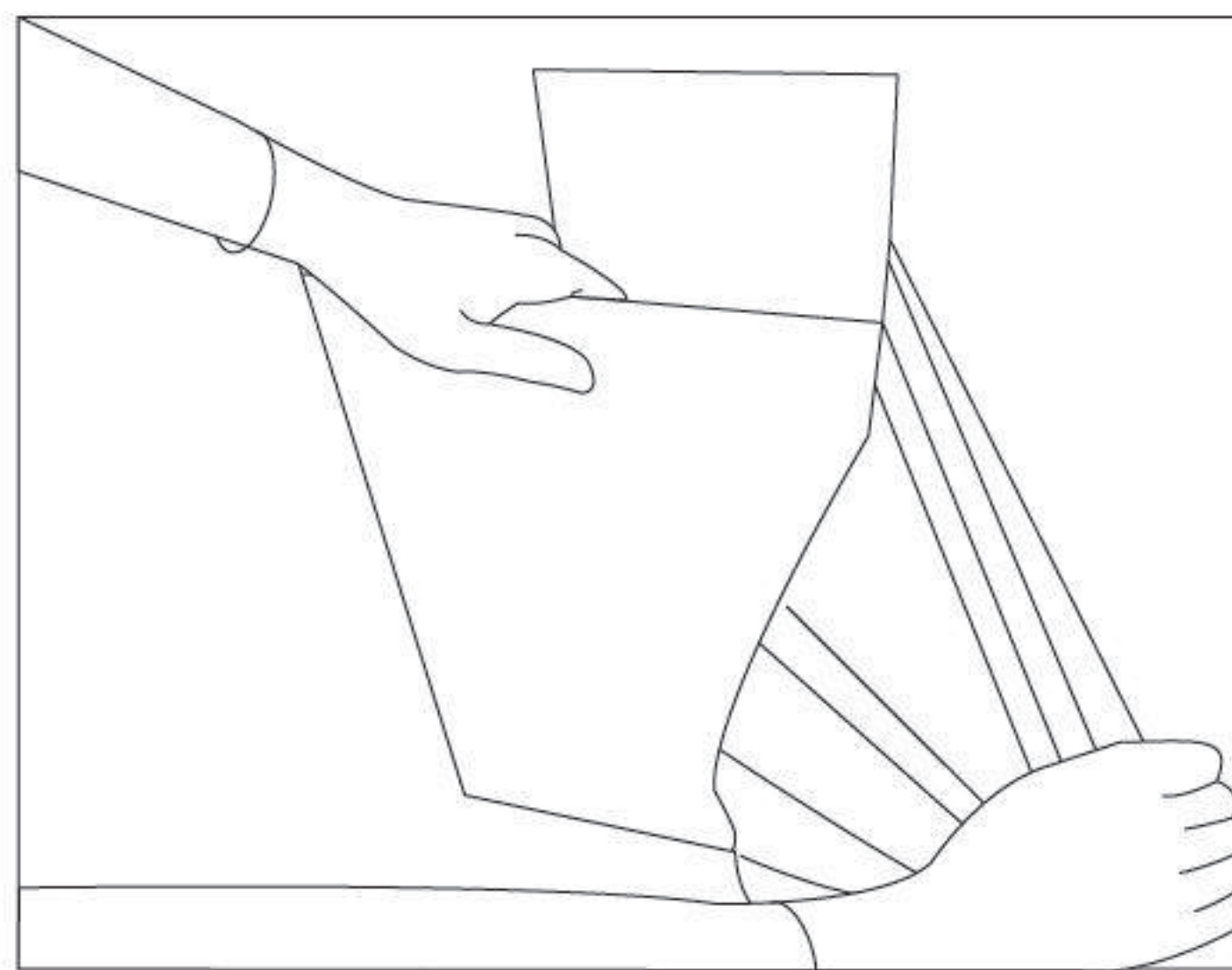


12. 将主机电源插头插入电源插座，启动油烟机，检查出风管与出风罩连接处是否密封完好；

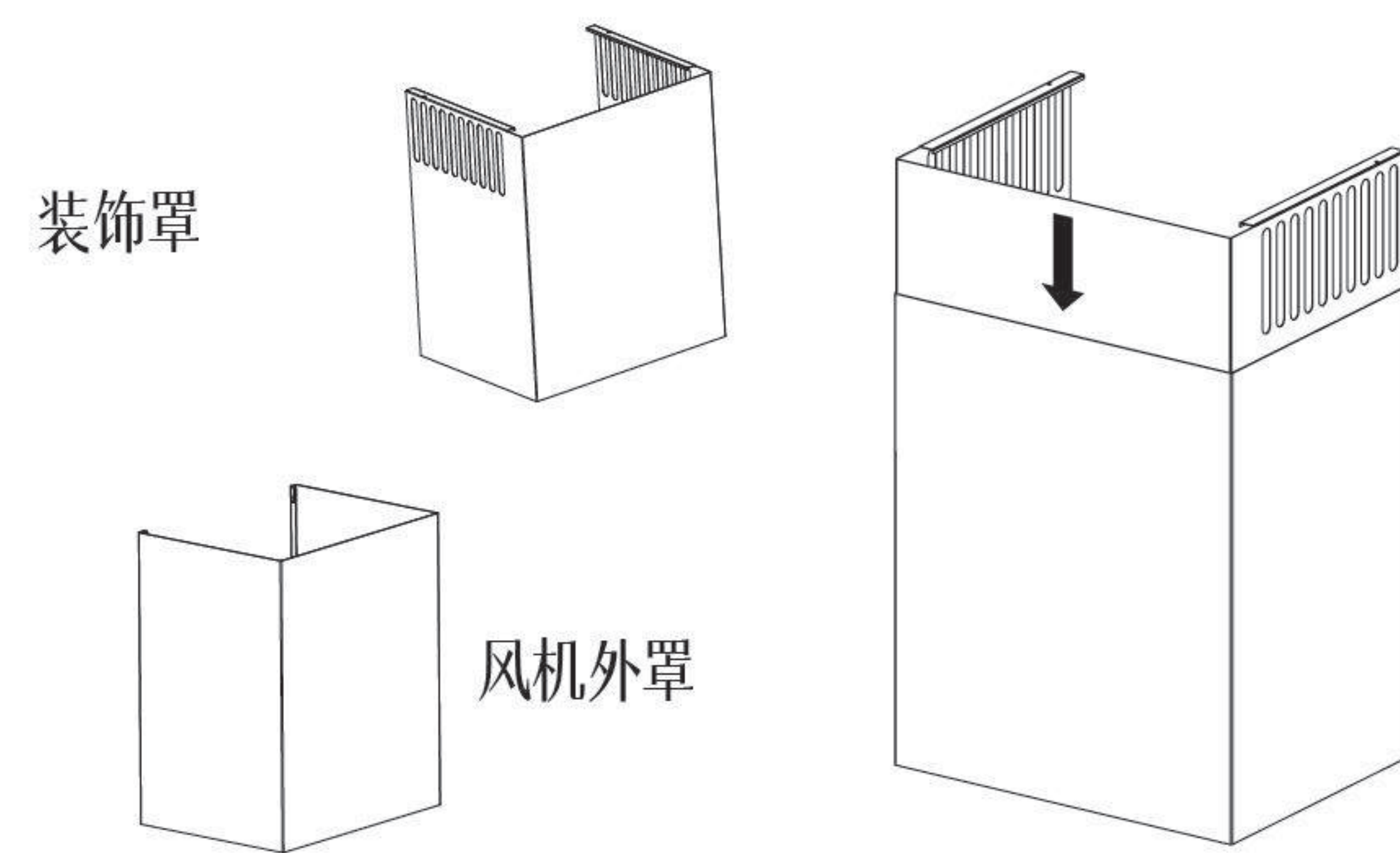


13. 安装风机外罩、装饰罩：

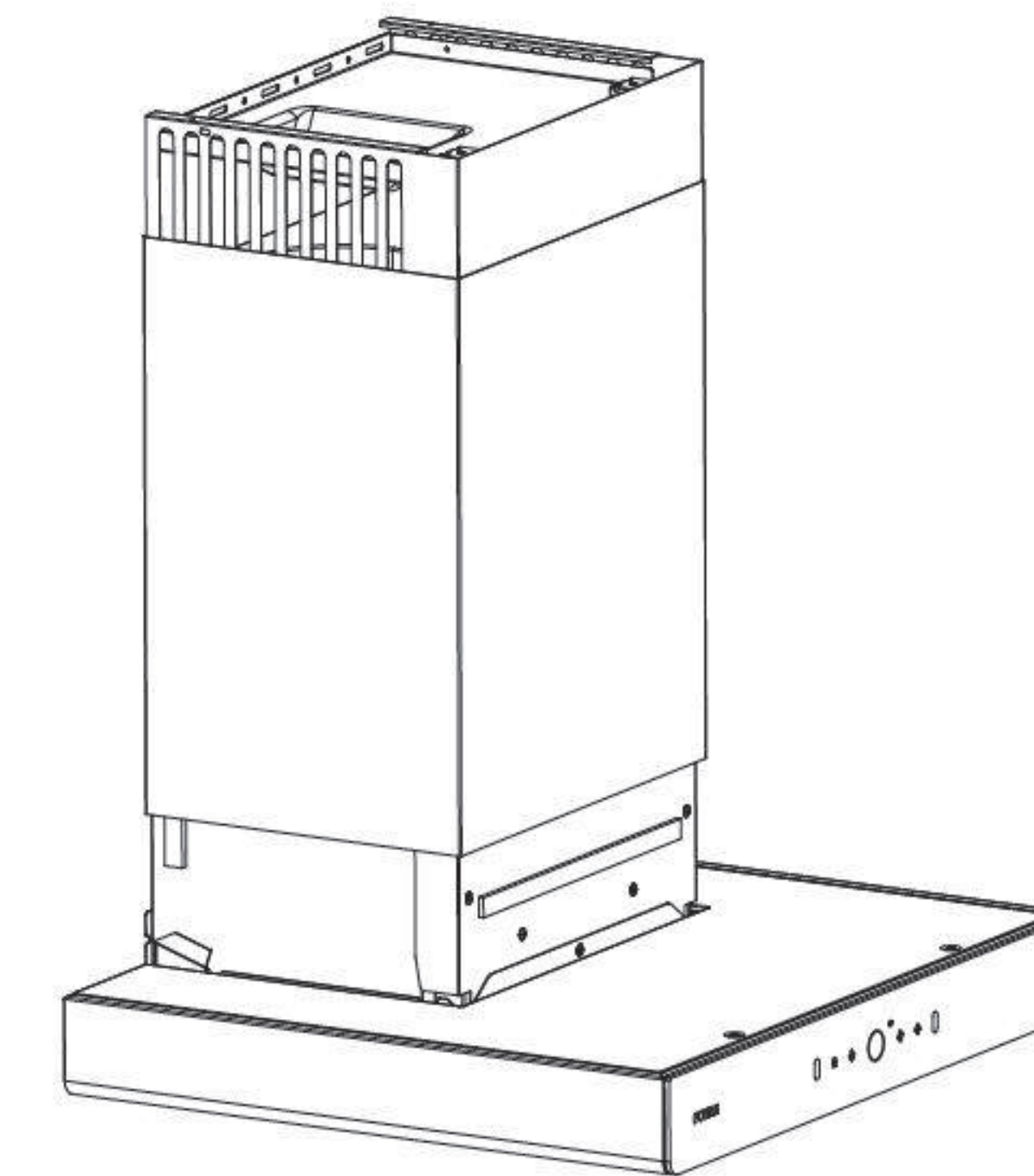
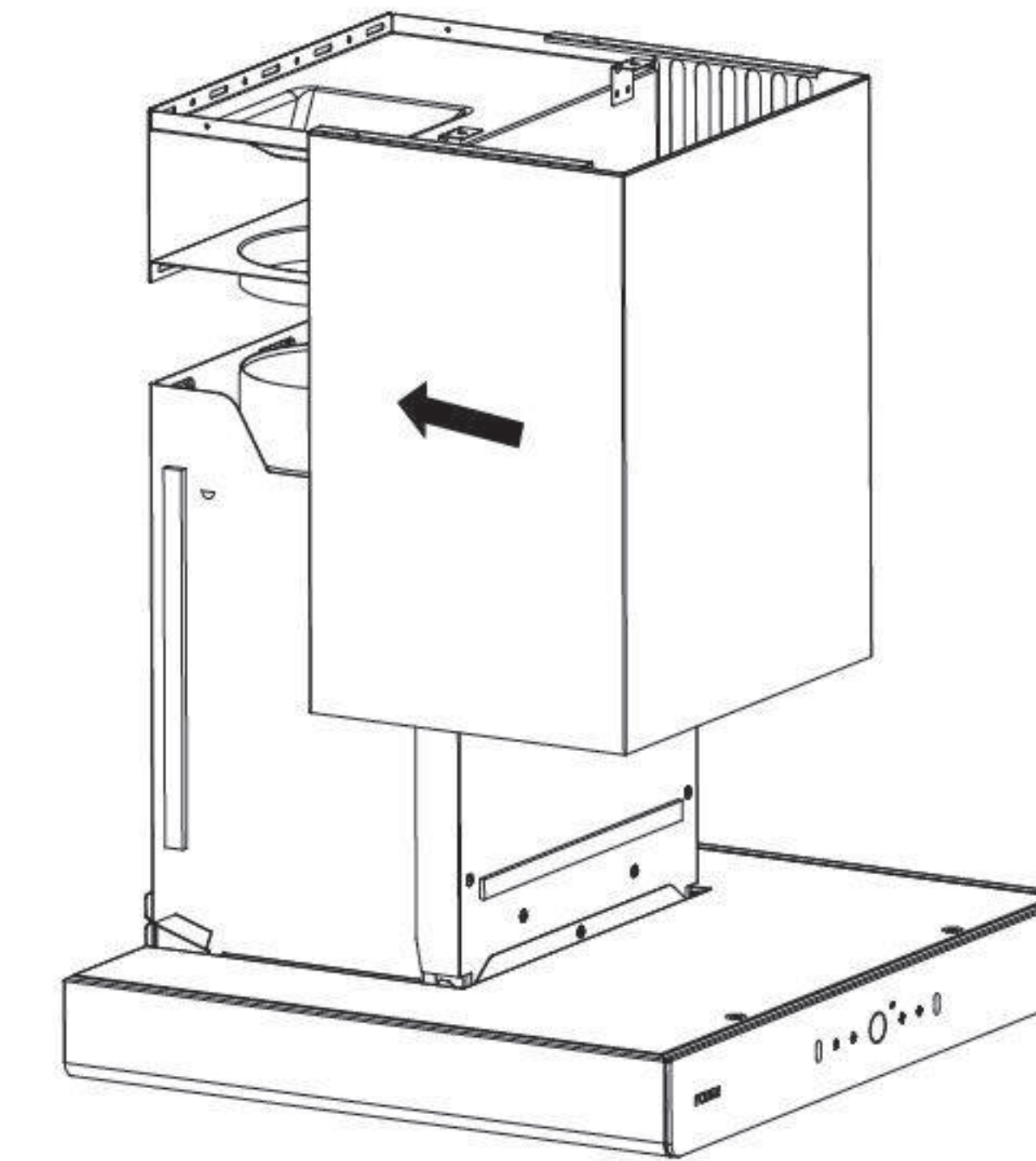
1) 把风机外罩、装饰罩表面保护膜撕掉；



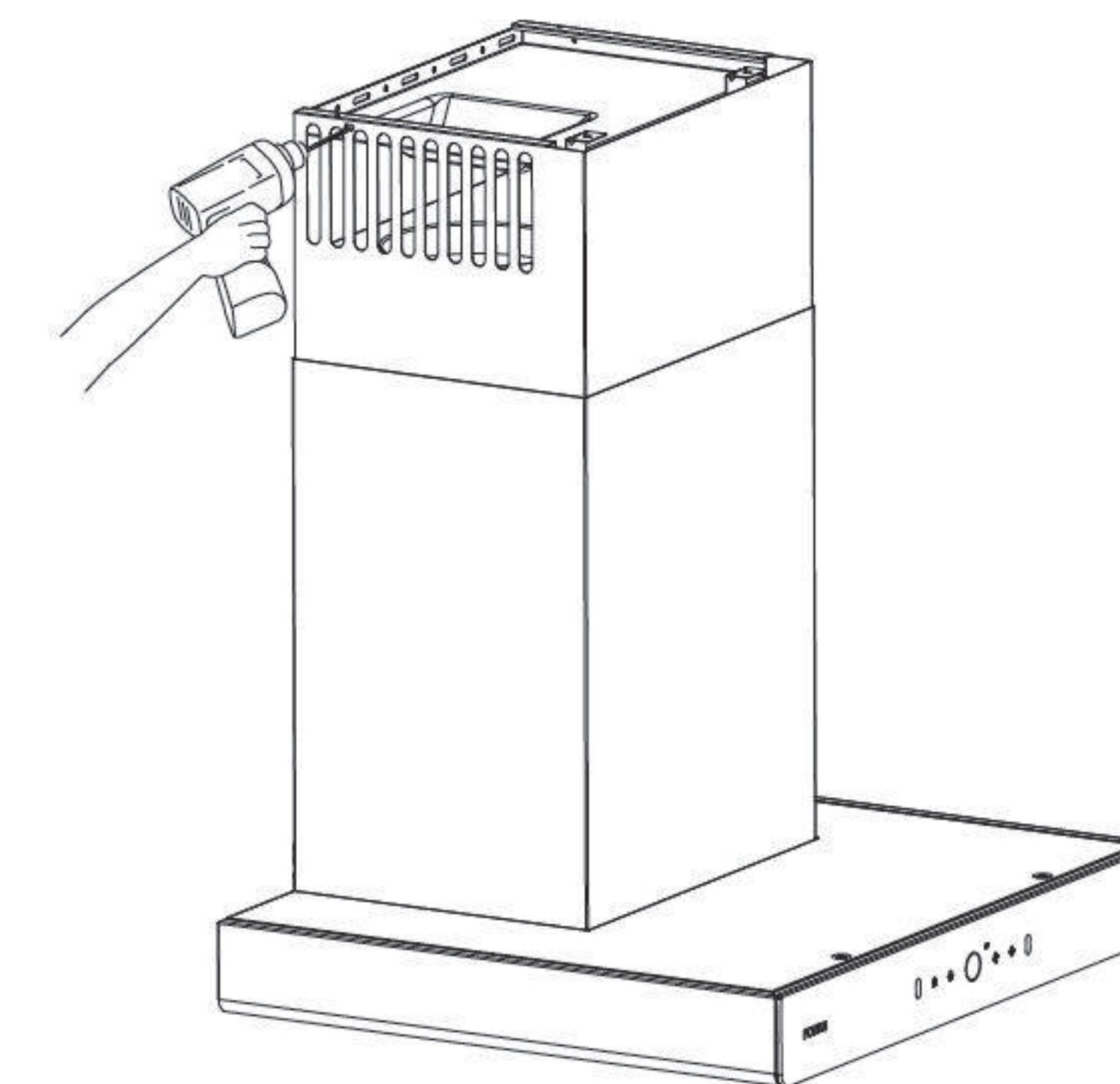
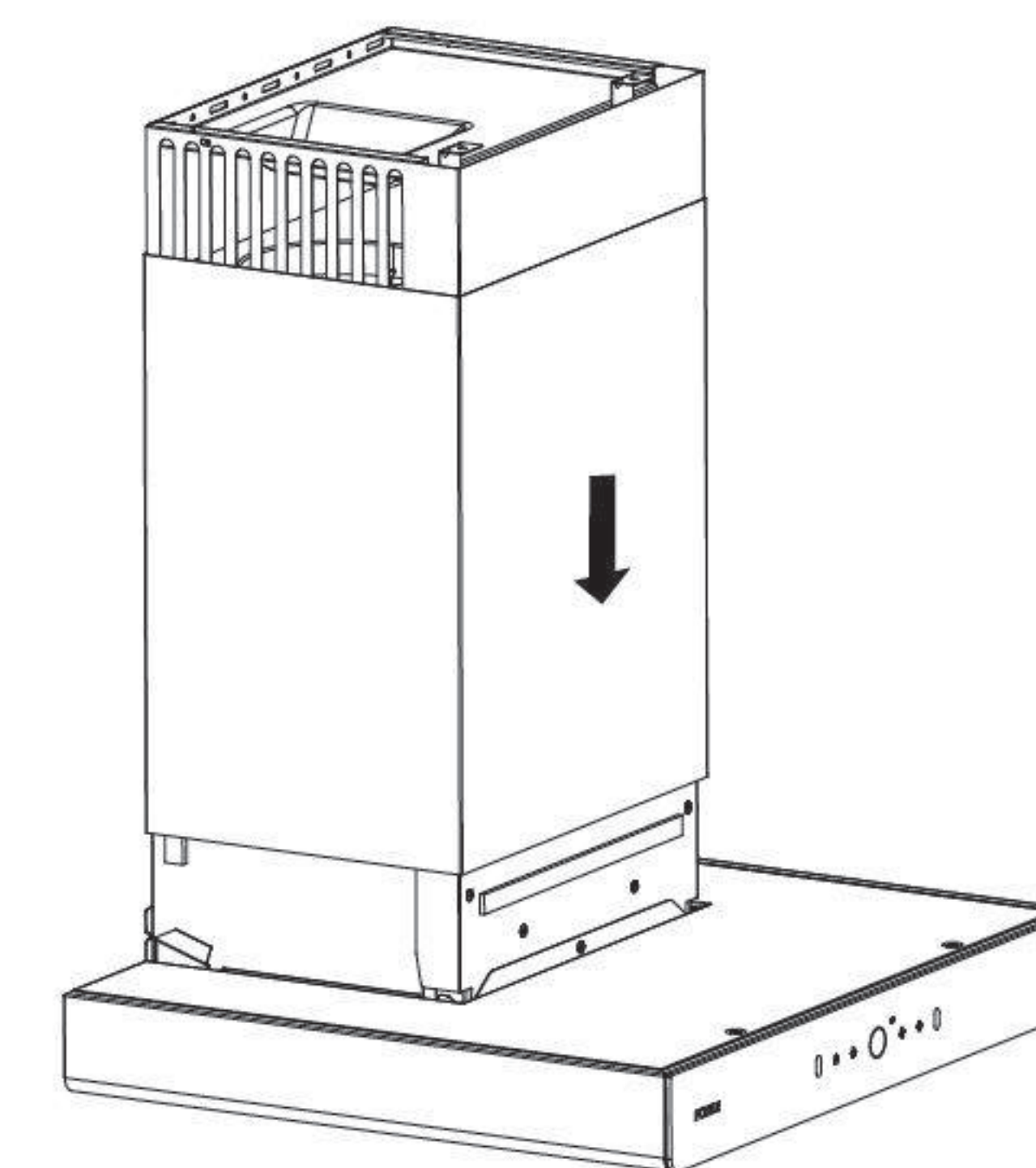
2) 将装饰罩放入风机外罩内；



3) 把风机外罩、装饰罩同时拿起，先把装饰罩挂在导风管上，然后同时将装饰罩、风机外罩沿导风管推到底；

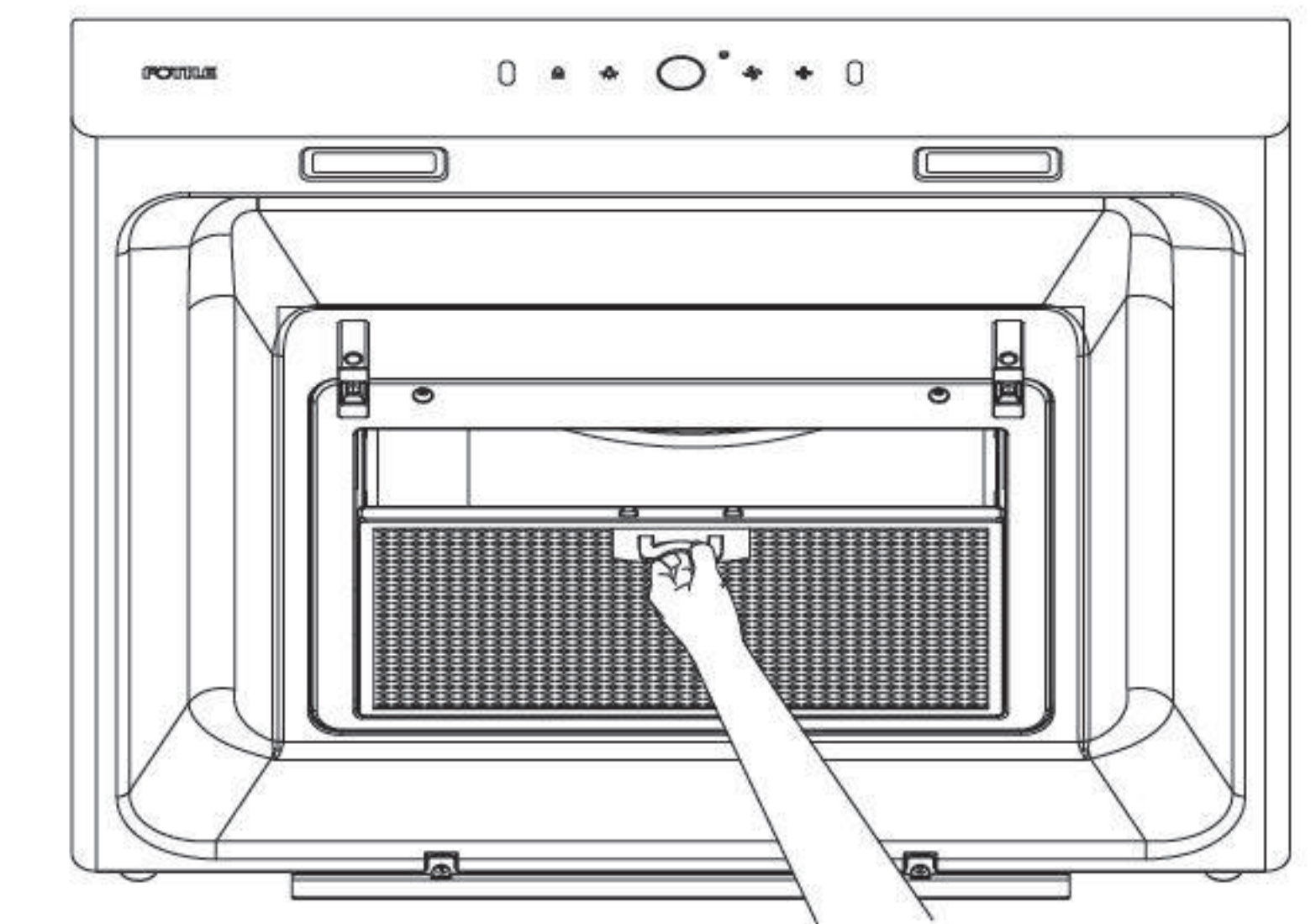
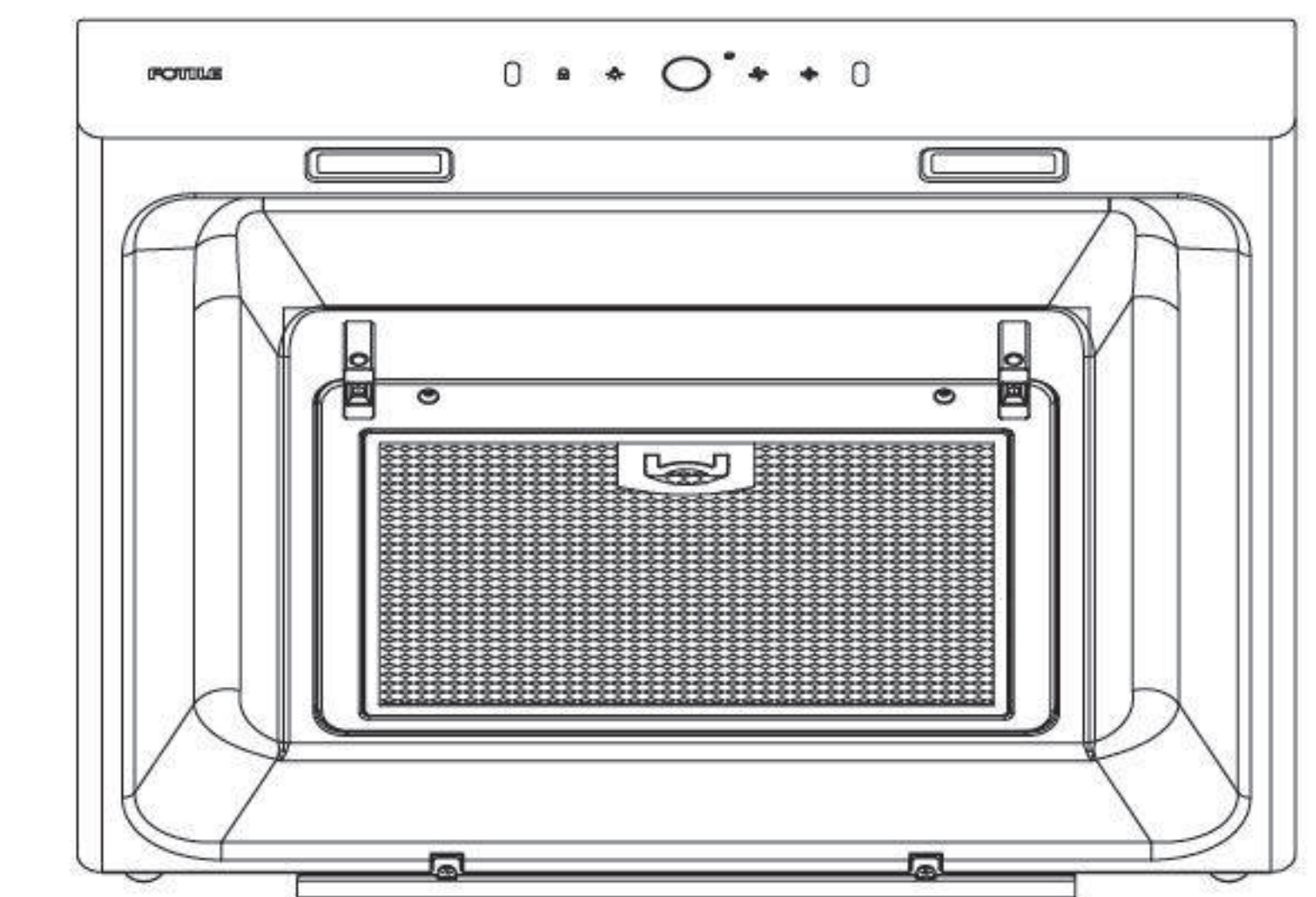


4) 风机外罩缓缓滑下来，将风机外罩卡扣卡入风机架，然后将风机外罩插入顶板与风机架的间隙内，最后用2颗出风管螺钉 #4×3/8" (ST3.9×9.5mm) 固定装饰罩和导风管。

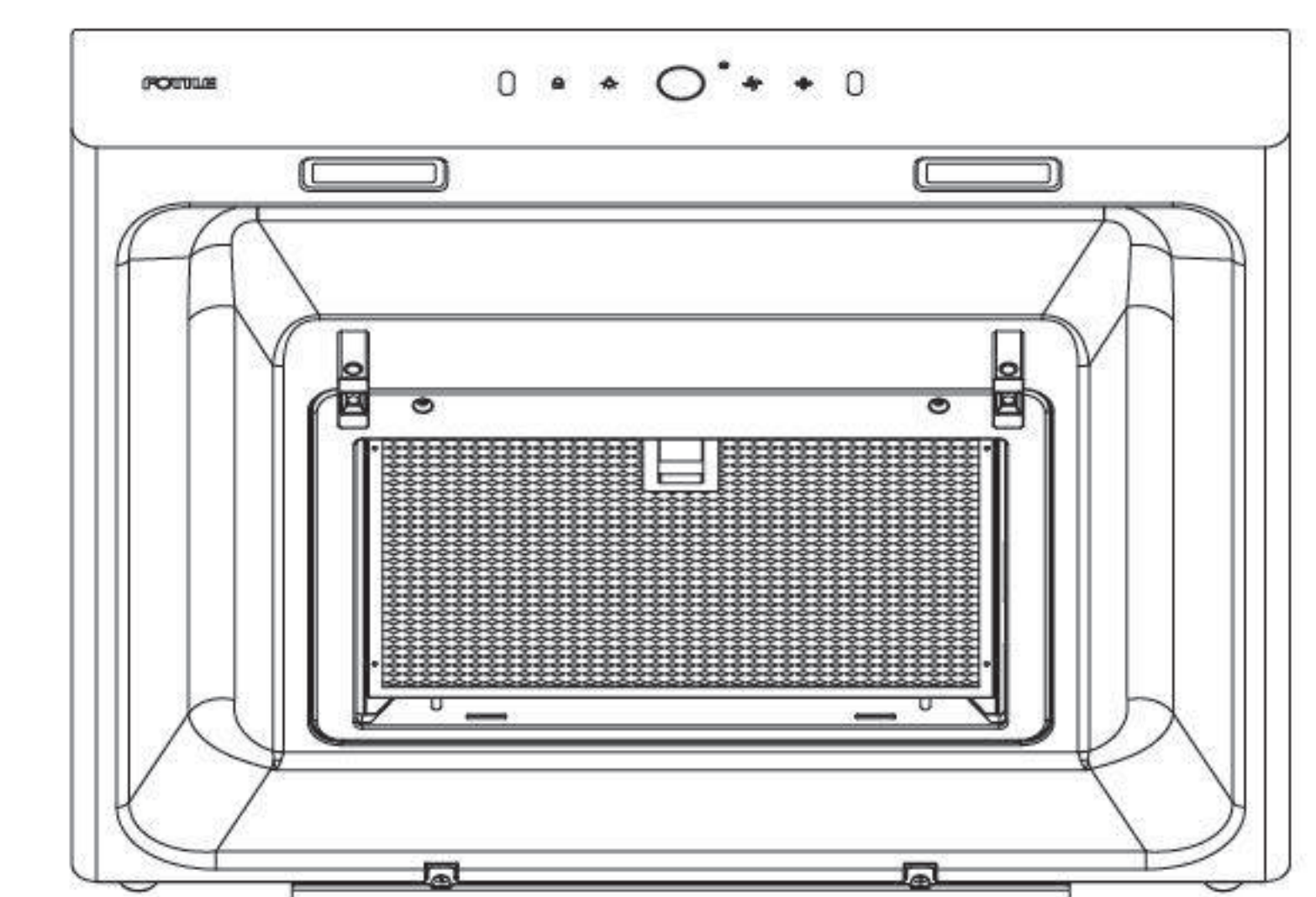
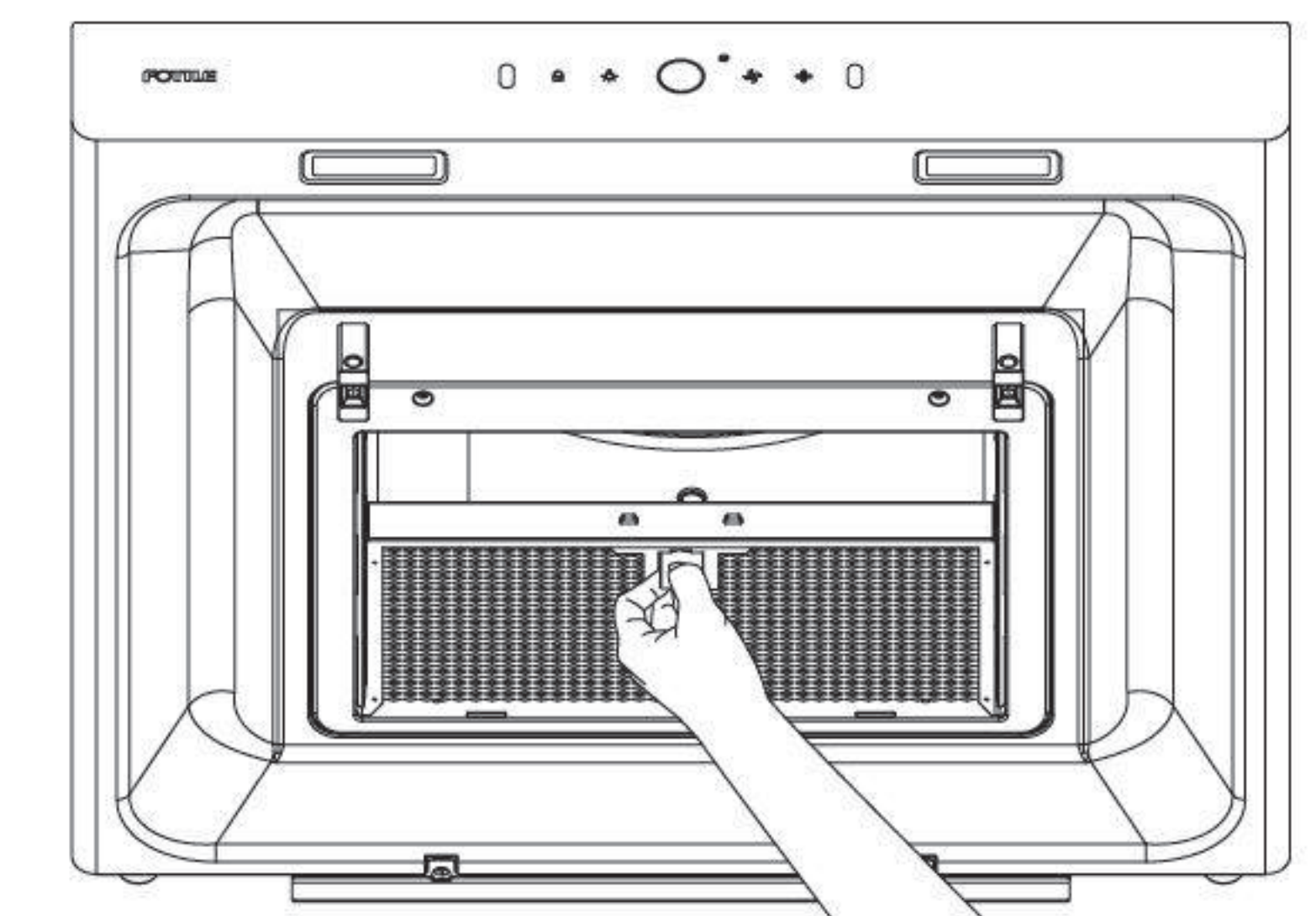


14. 安装碳过滤网；

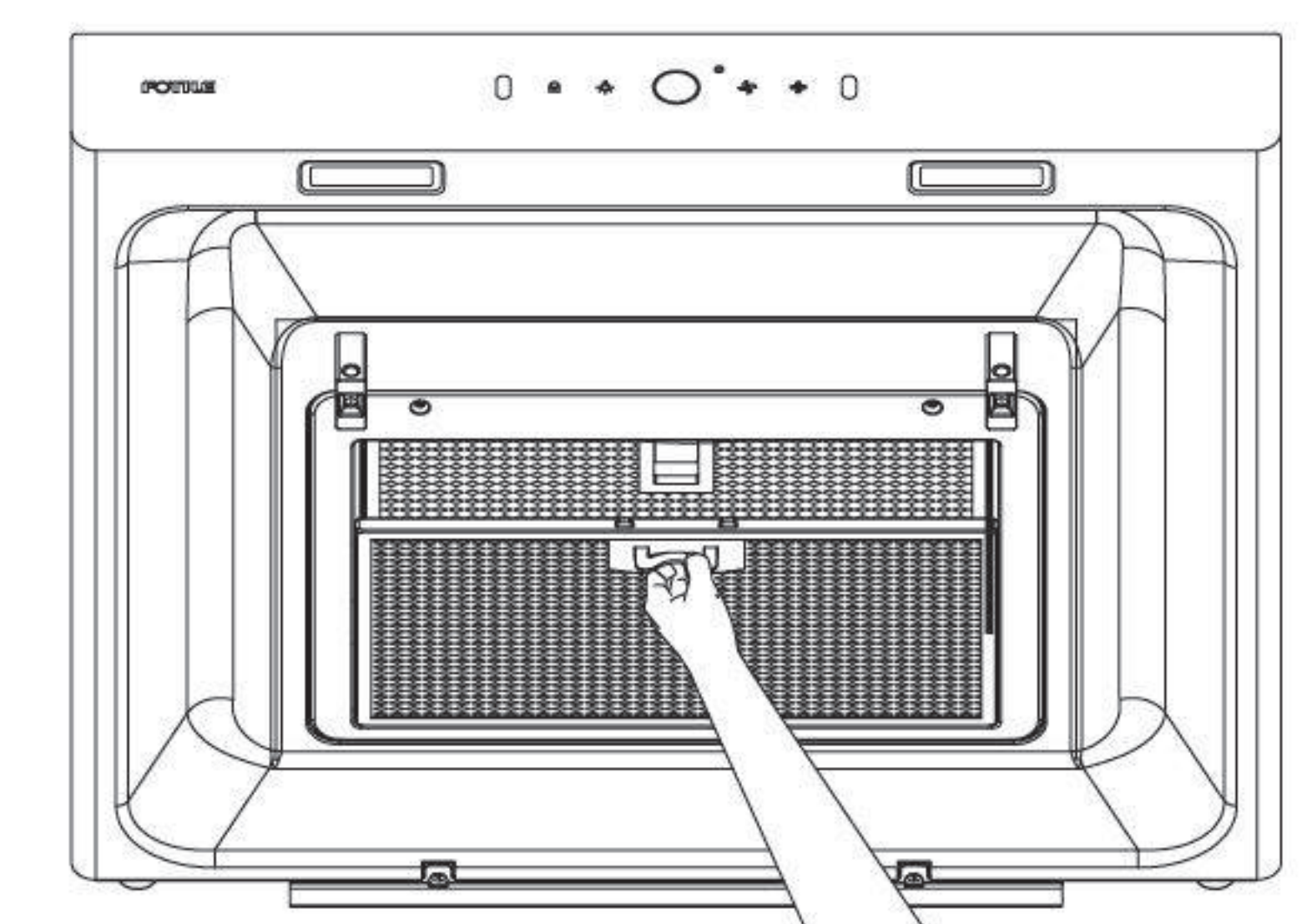
1) 首先直接扳开前滤网卡扣，取下前滤网；

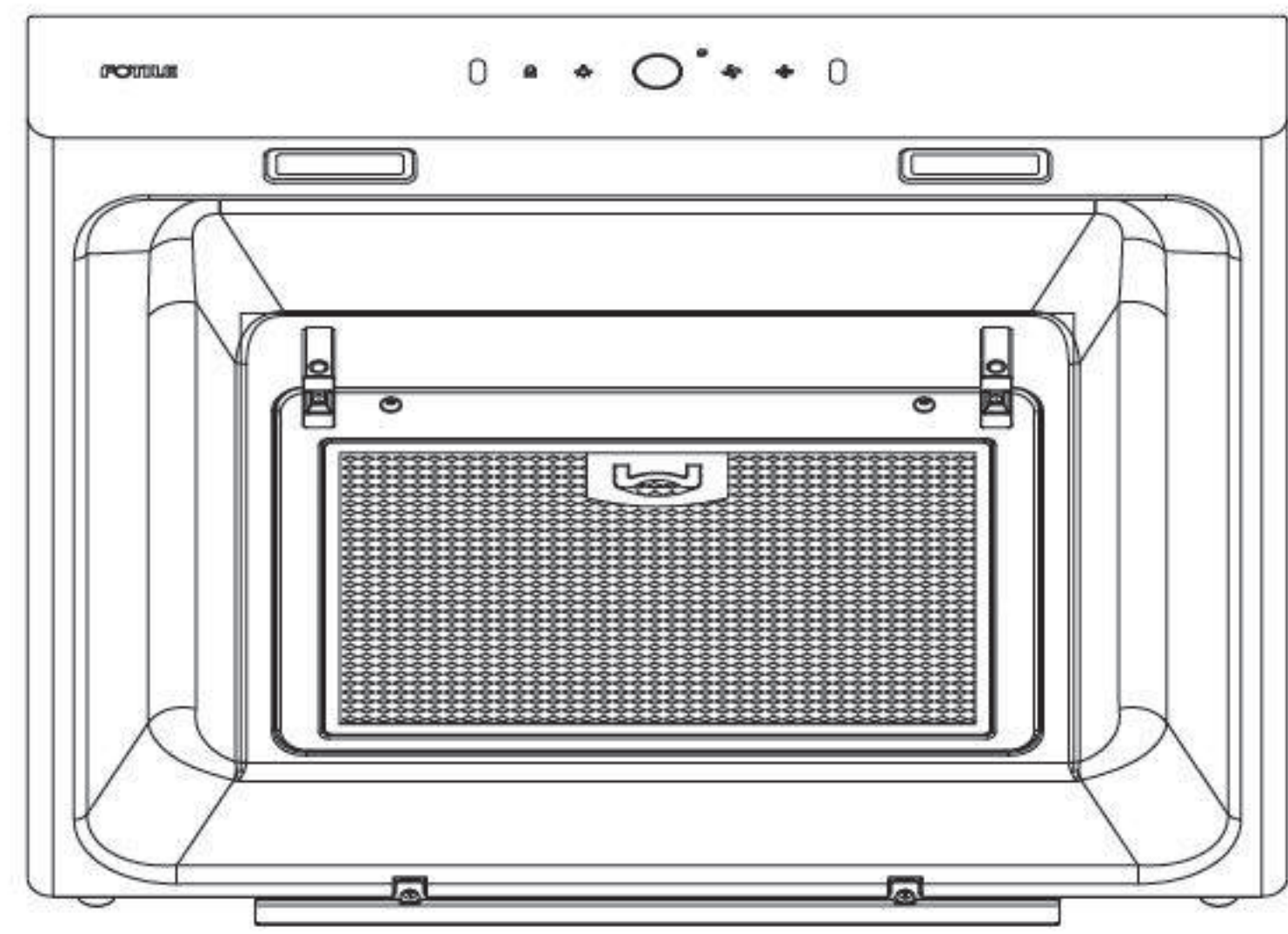


2) 安装碳过滤网；



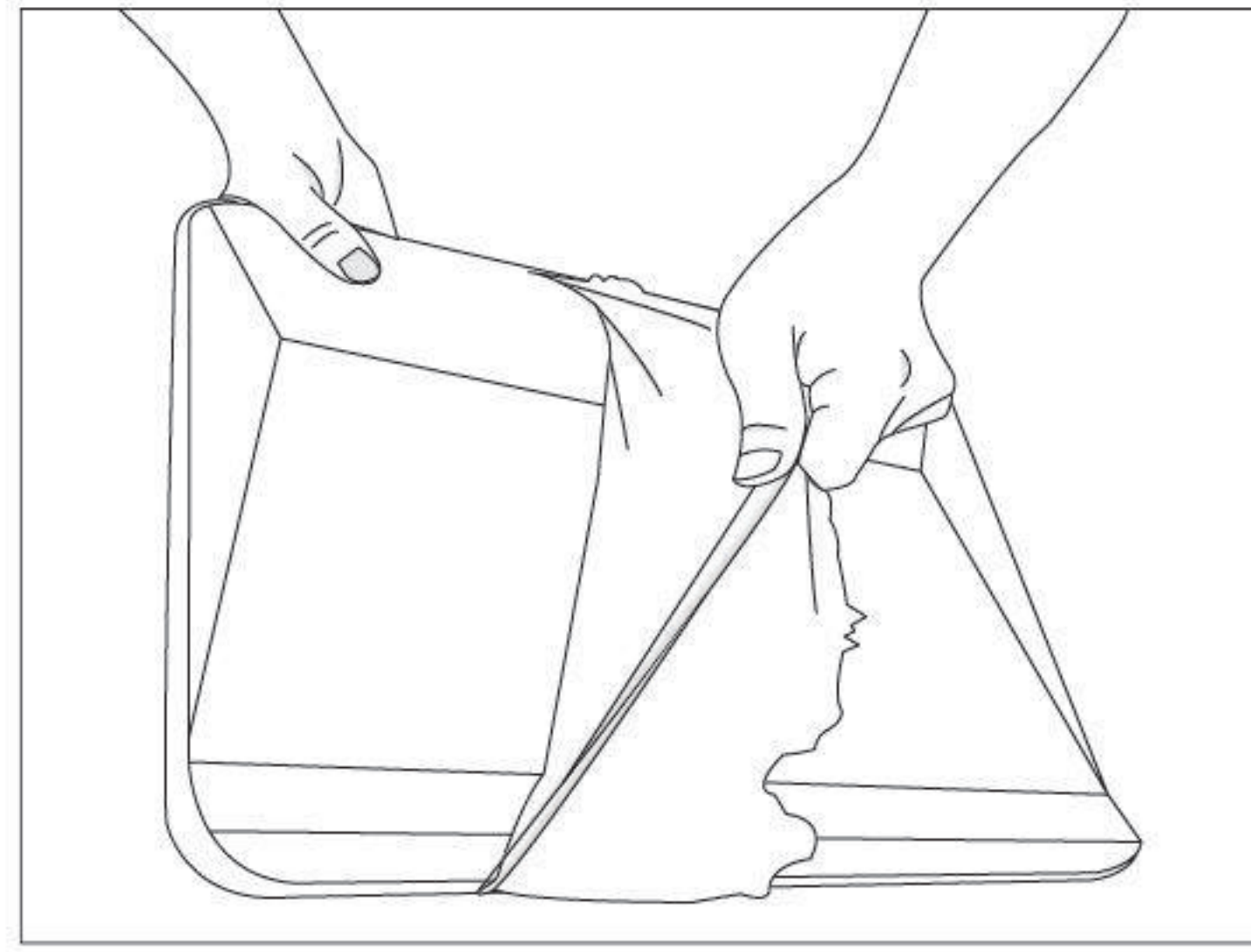
3) 最后将取下的前滤网安装在原位置。



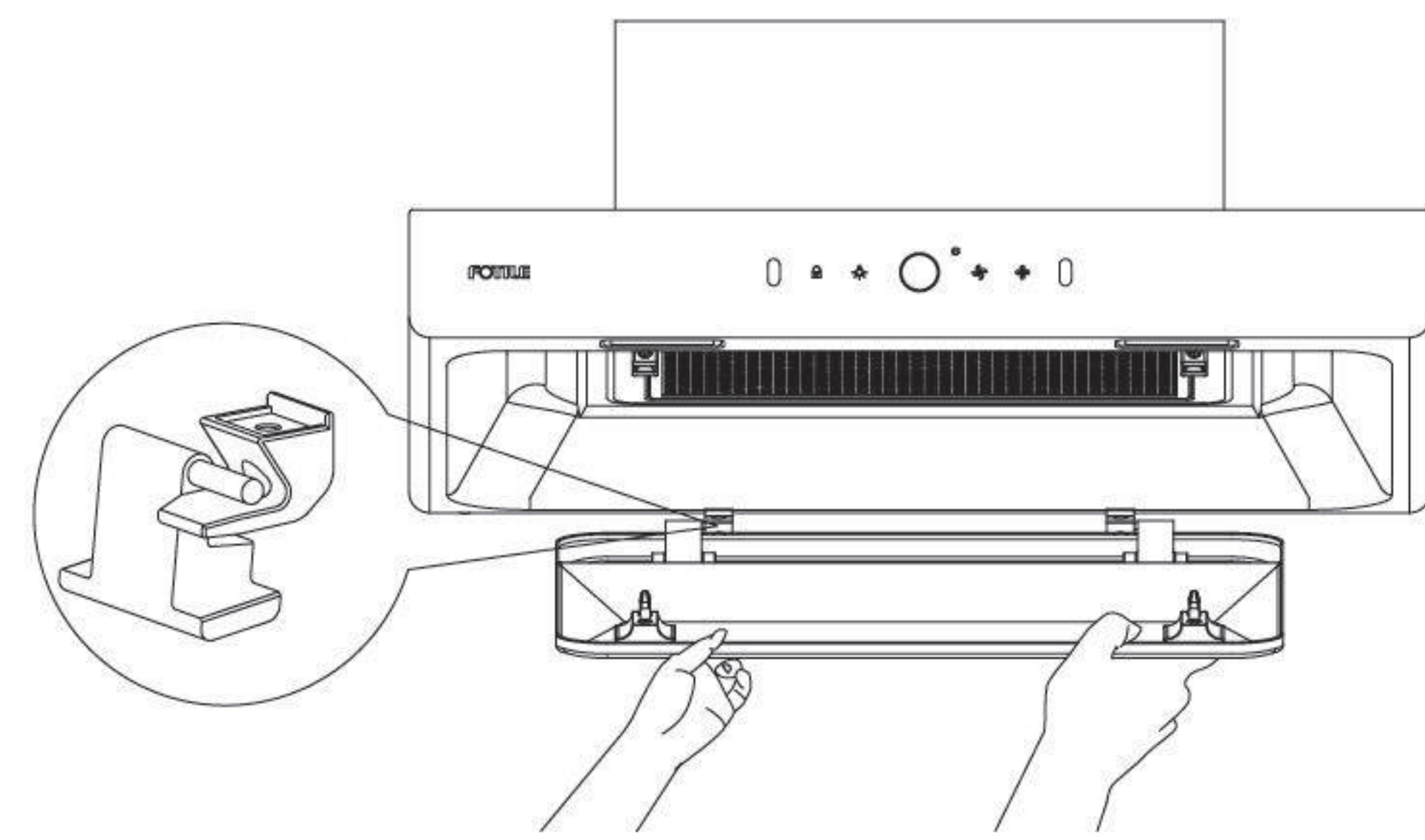


15. 安装蝶翼板;

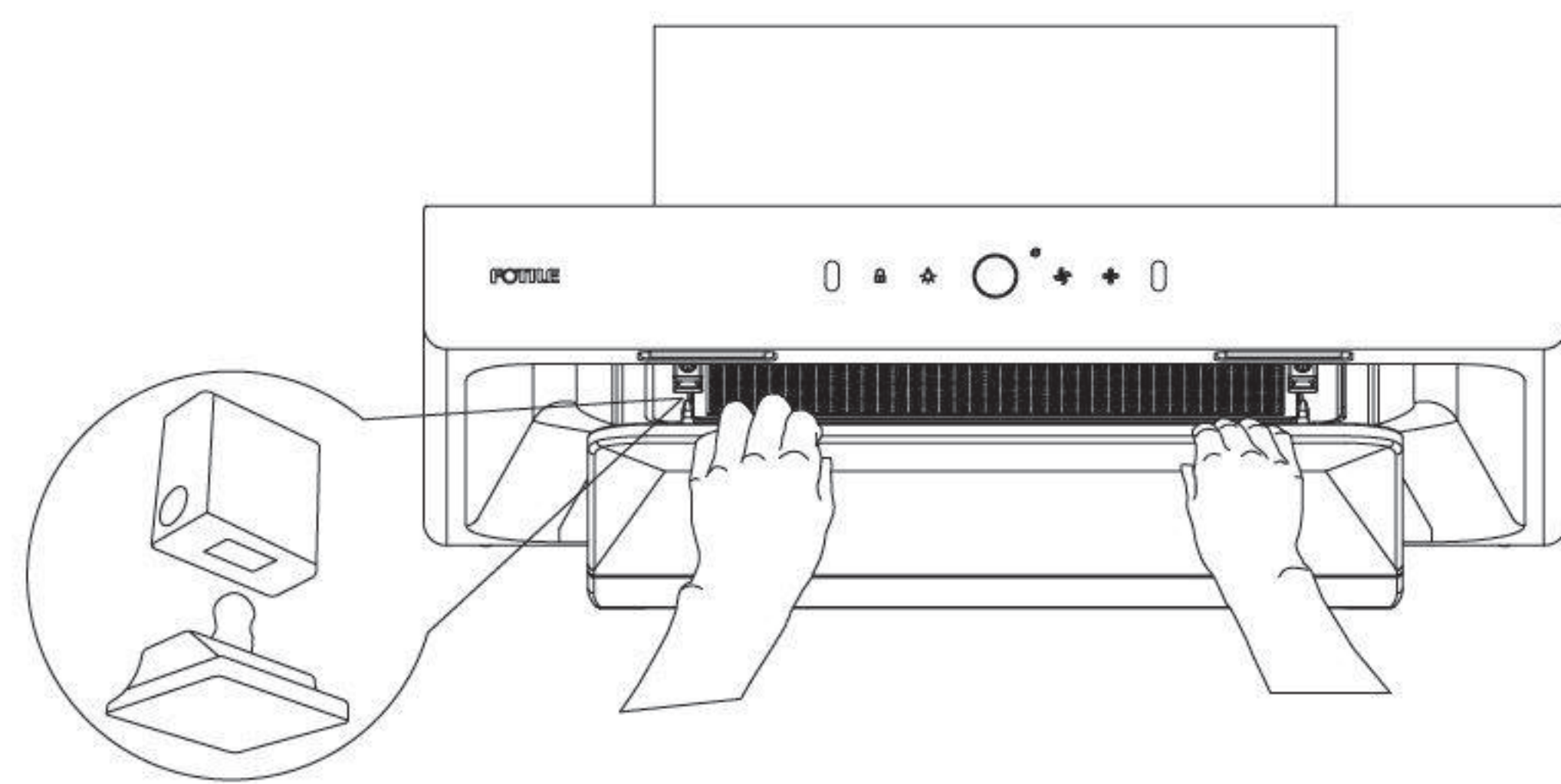
1) 把蝶翼板表面保护膜撕掉;



2) 双手紧握蝶翼板前侧，将蝶翼板后侧的左右挂钩，放入集烟罩底部的挂钩架内;



3) 双手拖住蝶翼板，使其向上旋转，然后用力将蝶翼板卡扣卡入集烟罩上的碰扣内。



- 注: 1. 所有附件 (如蝶翼板等) 请按要求完成安装, 否则可能引起火灾。
2. 若需用非常大的力气将蝶翼板卡扣卡入集烟罩上的碰扣内, 请参考P67“安装注意事项”中第8点检查油烟机安装面状态, 并按其提示进行操作。

安装后的调试

- 轻触电源/延时键, 然后再轻触高档/瞬吸档键, 检测电机转动是否正常, 如出现下列异常情况, 应立即切断电源, 停止运转, 并检查是否为安装缘故。
 - 机体震动剧烈
 - 叶轮不转动
 - 叶轮转动时明显的摩擦声
 - 电机出现异常声响
- 按照操作说明, 检查所有按键功能是否正常。
(若确定吸油烟机发生故障, 请致电方太授权的服务中心)

风量控制

风量控制CAT(CFM Adjustment Technology)

此功能只针对部分对油烟机最高风量小于400CFM区域。其中, CAT状态和正常状态(即出厂状态)下, 风量键对应的电机档位如下表:

风量键	不同状态下对应的电机档位	
	CAT状态	正常状态
Boost	失效	P4
高档	P2	P3
中档	失效	P2
低档	P1	P1

⚠ 注意: 该CAT设置为不可逆操作, 非必要请勿尝试。

操作说明:

产品接通电源但处于关机状态时:

- 在关机状态下, 同时长按高档/瞬吸键与低/中档键5S, 蜂鸣器长鸣, 高档/瞬吸键与低/中档键图标全亮,
- 10S内长按照明灯键3S, 蜂鸣器长鸣, 照明灯键图标全亮, 进入CAT状态, 2S后进入关机状态。此时高档/瞬吸档键对应的电机档位变为P2, 低档/中档键对应的电机档位变为P1档。

*若步骤1之后的10S内未操作, 回到出厂设置的关机状态。

CAT自查:

- 温馨提醒, 若要确认产品是否在CAT状态, 可进行如下操作。
- 在正常状态且关机时, 同时长按高档/瞬吸键与低/中档键5S, 蜂鸣器长鸣, 高档/瞬吸键与低/中档键图标全亮。
 - 若此时为CAT状态, 则照明灯键图标全亮, 反之则照明灯键图标不亮。
此时所有按键、挥手功能无效, 直至自动退出自查CAT状态。

此产品的正确处置



此标记表示, 在欧盟, 此产品的处置不应与其他家庭垃圾一同进行。为防止未经控制的废物处置可能对环境或人类健康造成危害, 须对其进行可靠回收, 以促进物质资源的可持续再利用。对使用过的设备进行退还, 请使用回收系统, 或联系销售该产品的零售商。此类人员可对此产品进行环保安全的回收利用。

爆炸图

