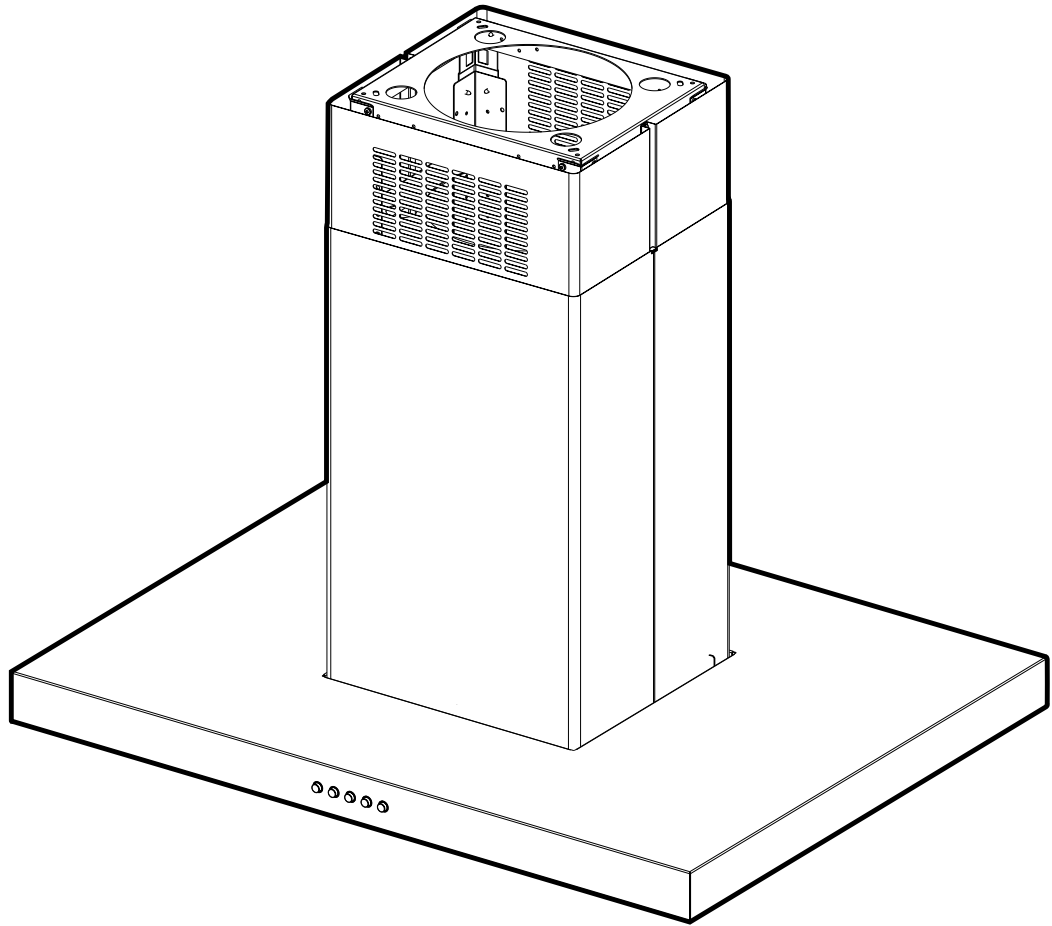


Installation Instructions Guide
Guía de Instrucciones para Instalación
Guide d'instructions d'installation



READ AND SAVE THESE INSTRUCTIONS
LEA Y GUARDE ESTAS INSTRUCCIONES
LIRE ET CONSERVER CES INSTRUCTIONS

English	page	2
Français	page	14
Español	página	27

Table of Contents

APPROVED FOR RESIDENTIAL APPLIANCES
FOR RESIDENTIAL USE ONLY

READ AND SAVE THESE INSTRUCTIONS

Tools and Parts	3
Dimensions and Clearances	4
Electrical Requirements	4
Ducting Options	5
Installation instructions	6
Install Range Hood	6
Electrical Connection	8
Complete Installation	9
Description of the Hood	10
Control	10
Range Hood Care	11
WARRANTY	13

**PLEASE READ ENTIRE INSTRUCTIONS BEFORE PROCEEDING.
INSTALLATION MUST COMPLY WITH ALL LOCAL CODES.**

IMPORTANT: Save these Instructions for the Local Electrical Inspector's use.

INSTALLER: Please leave these Instructions with this unit for the owner.

OWNER: Please retain these instructions for future reference.

Safety Warning: Turn off power circuit at service panel and lock out panel before wiring this appliance.

Requirement 120 VAC, 60 Hz. 15 or 20 A Branch Circuit

IMPORTANT SAFETY INSTRUCTIONS

WARNING: TO REDUCE THE RISK OF FIRE, ELECTRIC SHOCK, OR INJURY TO PERSONS, OBSERVE THE FOLLOWING:

- Use this unit only in the manner intended by the manufacturer. If you have questions, contact the manufacturer.
- Before servicing or cleaning the unit, switch power off at service panel and lock the service disconnecting means to prevent power from being switched on accidentally. When the service disconnecting means cannot be locked, securely fasten a prominent warning device, such as a tag to the service panel.
- Installation work and electrical wiring must be done by qualified person(s) in accordance with all applicable codes and standards, including fire-rated construction.
- Sufficient air is needed for proper combustion and exhausting of gases through the flue (chimney) of fuel burning equipment to prevent backdrafting. Follow the heating equipment manufacturer's guideline and safety standards such as those published by the National Fire Protection Association (NFPA), the American Society for Heating, Refrigeration and Air Conditioning Engineers (ASHRAE), and the local code authorities.
- When cutting or drilling into wall or ceiling; do not damage electrical wiring and other hidden utilities.
- Ducted fans must always be vented outdoors.

CAUTION: For general ventilating use only. Do not use to exhaust hazardous or explosive materials and vapors.

CAUTION: To reduce risk of fire and to properly exhaust air, be sure to duct air outside - do not vent exhaust air into spaces within walls or ceilings, attics or into crawl spaces, or garages.

WARNING: TO REDUCE THE RISK OF FIRE, USE ONLY METAL DUCTWORK

WARNING: TO REDUCE THE RISK OF A RANGE TOP GREASE FIRE:

- Never leave surface units unattended at high settings. Boilovers cause smoking and greasy spillovers that may ignite. Heat oils slowly on low or medium settings.
- Always turn hood ON when cooking at high heat or when flambeing food (i.e. Crepes Suzette, Cherries Jubilee, Peppercorn Beef Flambé).
- Clean ventilating fans frequently. Grease should not be allowed to accumulate on fan or filter.
- Use proper pan size. Always use cookware appropriate for the size of the surface element.

WARNING: TO REDUCE THE RISK OF INJURY TO PERSONS IN THE EVENT OF A RANGE TOP GREASE FIRE, OBSERVE THE FOLLOWING:^a

- **SMOTHER FLAMES** with a close fitting lid, cookie sheet, or metal tray, then turn off the burner. **BE CAREFUL TO PREVENT BURNS.** If the flames do not go out immediately, **EVACUATE AND CALL THE FIRE DEPARTMENT.**
- **NEVER PICK UP A FLAMING PAN** - you may get burned.
- **DO NOT USE WATER**, including wet dishcloths or towels - a violent steam explosion will result.
- Use an extinguisher **ONLY** if:
 - You know you have a class ABC extinguisher, and you already know how to operate it.
 - The fire is small and contained in the area where it started.
 - The fire department is being called.
 - You can fight the fire with your back to an exit.

^aBased on "Kitchen Fire Safety Tips" published by NFPA.

WARNING: To reduce the risk of fire or electrical shock, do not use this fan with any solid-state speed control device.

WARNING: Do not operate any fan with a damaged cord or plug. Discard fan or return to an authorized service facility for examination and/or repair.

READ AND SAVE THESE INSTRUCTIONS

Tools and Parts

Parts supplied

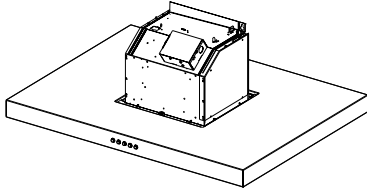






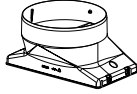
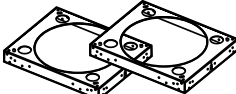
Removing the packaging

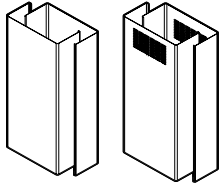
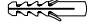

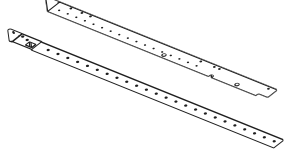

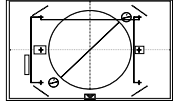
⚠ CAUTION!

Remove carton carefully, wear gloves to protect against sharp edges.

⚠ WARNING!

Remove the protective film covering the product before putting into operation.

Supplied Part	Pieces
 <p>Hood assembly with blower and LED lamps already installed</p>	1
 <p>5x45 mm</p>	4
 <p>4.2x8 mm</p>	60
 <p>3.5x9.5 mm</p>	2
 <p>3.5x6.5 mm</p>	4
 <p>2.9x3 mm</p>	2
 <p>Leveling screws</p>	2
 <p>6" round air transition</p>	1
 <p>Horizontal supports</p>	2

Supplied Part	Pieces
 <p>Lower and upper duct covers</p>	Upper: 2 Lower: 2
 <p>8x40 mm</p>	4
 <p>Duct cover brackets</p>	4
 <p>Vertical supports</p>	Upper: 4 Lower: 4
 <p>Torx adapter</p>	#10: 1 #20: 1
 <p>Mounting template</p>	1

Parts not supplied

Tools/Materials required

- Wire nuts
- Tape to mount template
- 6" (15.2 cm) rounded metal duct length to suit installation
- Measuring tape
- Pliers
- Gloves
- Knife
- Safety glasses
- Electric drill with $\frac{5}{16}$ " and $\frac{3}{8}$ " bits
- Strain relief
- Spirit level
- Duct tape

- Phillips screwdriver
- Wire cutter/stripper
- Masking tape
- Hammer
- Saw, jig saw or reciprocating saw

Parts needed

- Home power supply cable
- $\frac{1}{2}$ " (12.7 mm) UL listed or CSA approved strain relief
- 3 UL listed wire connectors

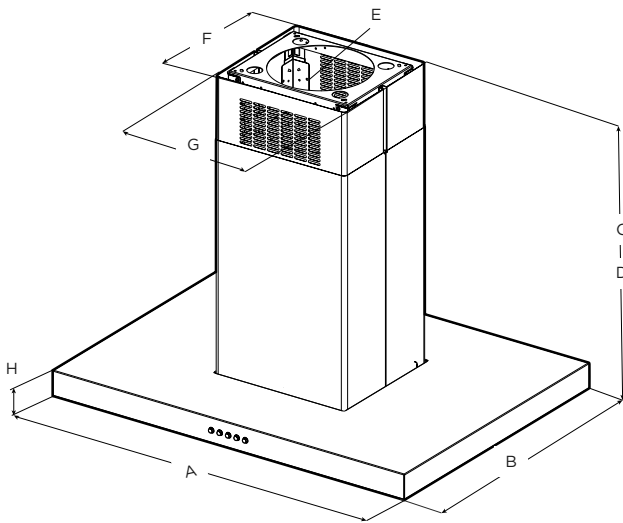
For vented installations, you will also need:

- 1 wall or roof cap
- Metal vent system

Optional Accessories

KIT	# Part
Recirculating Kit	KIT01938
Long Chimney Extension Kit	KIT0100317
6" Backdraft Damper Kit	KIT0102873
CFM Reduction Kit	KIT02748

Dimensions and Clearances



	Models
	AMT636SSA
A	36" (91.4 cm)
B	27 ¹ / ₈ " (68.9 cm)
C*	Min: 29 ³ / ₁₆ " (75.7 cm) Max: 50 ¹ / ₈ " (126 cm)
D**	Min: 29 ³ / ₁₆ " (75.7 cm) Max: 44 ⁷ / ₈ " (114 cm)
E	6" (15.9 cm)
F	12" (30.4 cm)
G	13" (33.24 cm)
H	2 ³ / ₈ " (6 cm)

* Ductless (Recirculating) version

** Ducted version

Electrical Requirements

IMPORTANT

Observe all governing codes and ordinances.

It is the customer's responsibility:

- To contact a qualified electrical installer.
- To assure that the electrical installation is adequate and in conformance with National Electrical Code, ANSI/NFPA 70— latest edition*, or CSA Standards C22.1-94, Canadian Electrical Code, Part 1 and C22.2 No.0-M91 - latest edition** and all local codes and ordinances.
- If codes permit and a separate ground wire is used, it is recommended that a qualified electrician determine that the ground path is adequate.
- Do not ground to a gas pipe.
- Check with a qualified electrician if you are not sure range hood is properly grounded.
- Do not have a fuse in the neutral or ground circuit.

A copy of the above code standards can be obtained from:

National Fire Protection Association
1 Batterymarch Park

Quincy, MA 02169-7471

CSA International

8501 East Pleasant Valley Road

Cleveland, OH 44131-5575

IMPORTANT

- Save Installation Instructions for electrical inspector's use.
- The range hood must be connected with copper wire only.
- The range hood should be connected directly to the fused disconnect (Or circuit breaker) box through metal electrical conduit.
- Wire sizes must conform to the requirements of the National Electrical Code ANSI/NFPA 70 — latest edition*, or CSA Standards C22.1-94, Canadian Electrical Code Part 1 and C22.2 No. 0-M91 - latest edition** and all local codes and ordinances.
- A U.L.- or C.S.A.-listed conduit connector must be provided at each end of the power supply conduit (at the range hood and at the junction box).

BEFORE INSTALLING THE HOOD

1. For the most efficient air flow exhaust, use a straight run or as few elbows as possible.
 ⚠ **CAUTION:** Vent unit to outside of building, only.
2. At least two people are necessary for installation.
3. Fittings material is provided to secure the hood to most types of walls/ceilings, consult a Qualified Installer, check if they perfectly fit with your cabinet/wall.
4. Do not use flex ducting.
5. COLD WEATHER installations should have an additional back draft damper installed to minimize backward cold air flow and a nonmetallic thermal break to minimize conduction of outside temperatures as part of the ductwork. The damper should be on the cold air side of the thermal break. The break should be as close as possible to where the ducting enters the heated portion of the house.
6. Make up air: Local building codes may require the use of Make-Up Air Systems when using Ducted Ventilation Systems greater than specified CFM of air movement. The specified CFM varies from locale to locale. Consult your HVAC professional for specific requirements in your area.

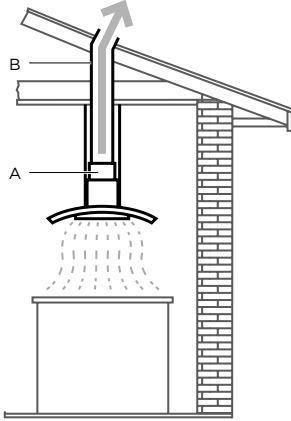
Ducting Options

Closely follow the instructions set out in this manual.

All responsibility, for any eventual inconveniences, damages or fires caused by not complying with the instructions in this manual, is declined.

Ducting version

The hood is equipped with a 6" (15.2 cm) round transition for discharge of fumes to the outside.



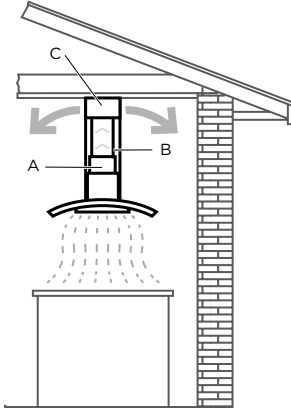
A. 6" round Transition
B. 6" round duct

Ductless (Recirculating)

In cases where it should not be possible to discharge cooking fumes and vapour to the outside.

Attach a charcoal filter and the deflector on the duct cover support bracket. Fumes and vapours are recycled through the top grille by means of a duct connected to the transition and the transition mounted on the deflector.

See accessories section.



A. 6" round Transition
B. 6" round duct
C. Air deflector

Preparation

Do not cut a joist or stud unless absolutely necessary. If a joist or stud must be cut, then a supporting frame must be constructed. Fittings material is provided to secure the hood to most types of walls/ceilings. However, a qualified technician must verify suitability of the materials in accordance with the type of wall/ceiling.

Before making cutouts, make sure there is proper clearance within the ceiling or wall for exhaust vent.

Recommended installation height:

Hood installation height above cooktop is the users preference.

The lower the hood is above the cooktop, the more efficient the capturing of cooking odors, grease and smoke.

⚠ CAUTION

For gas cooktop & range installations: Mount the hood so the bottom is at least 30" (76.2 cm) above the cooking surface.

For electric/induction cooktop & range installations: Mount the hood so the bottom is at least 24" (61 cm) above the cooking surface.

There is no maximum mounting height, however, we recommend mounting the hood no greater than 36" (91.4 cm) above the cooking surface. For every inch (2.54 cm) above 36" (91.4 cm), fume and moisture capture efficiency diminishes at an increasing rate and may not deliver an acceptable level of ventilating performance.

This hood is intended for household use.

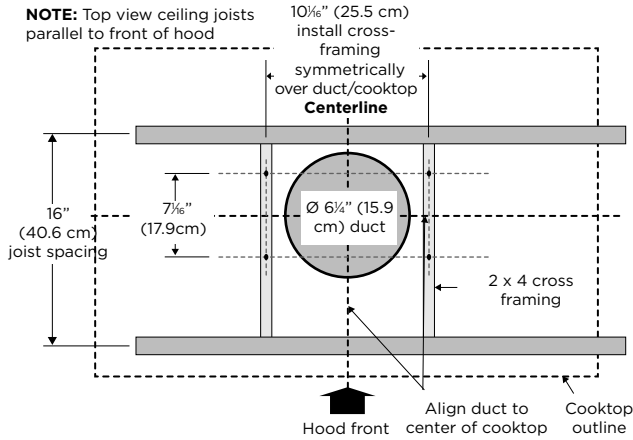
PLEASE READ THE INSTALLATION MANUAL FOR SPECIFIC APPLICATION. Check your ceiling height and hood height before selecting your hood.

Installation instructions

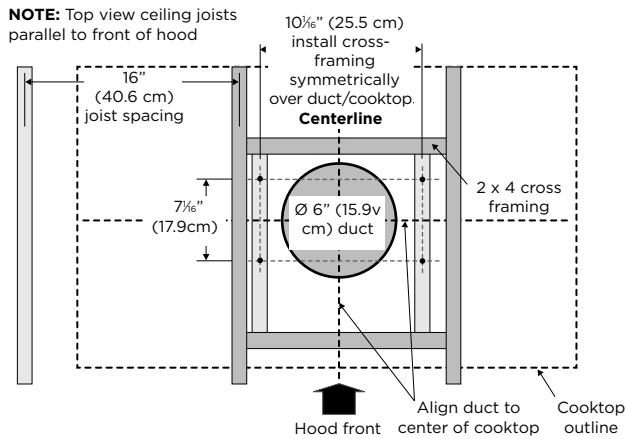
Ceiling support structures

- This vent hood is heavy. Adequate structure and support must be provided in all types of installations.
- At the hood location, install 2"x 4" cross framing between ceiling joists as shown. (2"x 4" are required to support the weight of the hood.)
- Arrange cross framing in the ceiling to suit the existing structure.
- Your ceiling joists will be like one of the following:

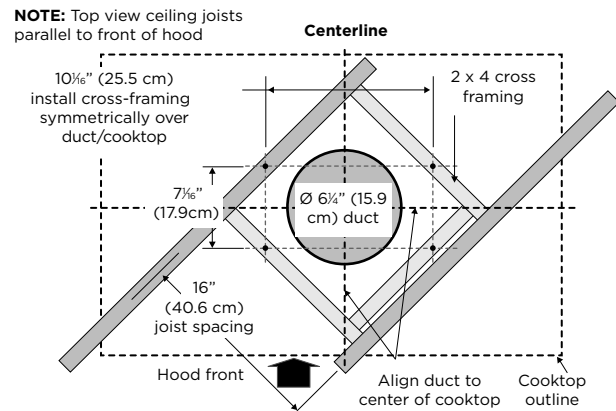
Example A



Example B



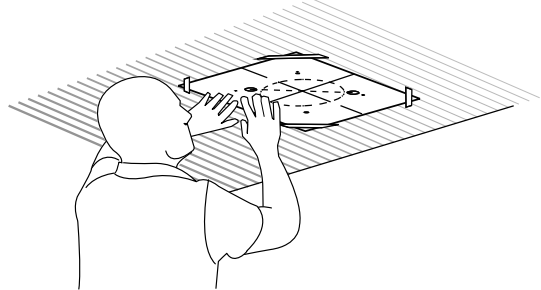
Example C



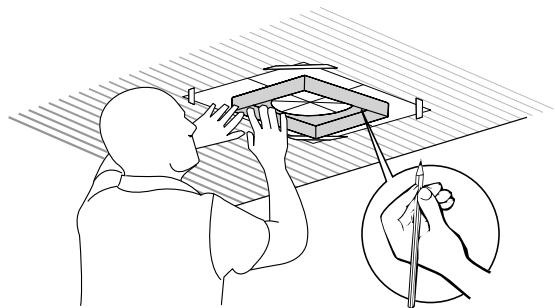
Install Range Hood

1. Place the template in the ceiling considering the instructions for ceiling support structures.

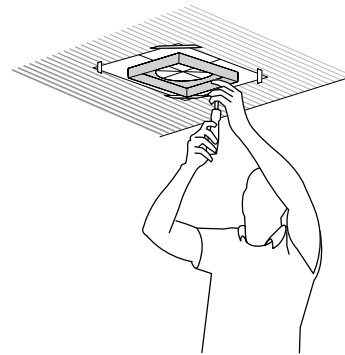
NOTE: Always consider the front of hood legend when placing the template on the ceiling. It will define the control's location.



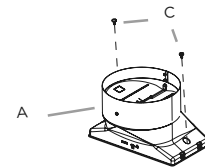
2. Mark with a pencil the hole locations for screws and duct in the ceiling.



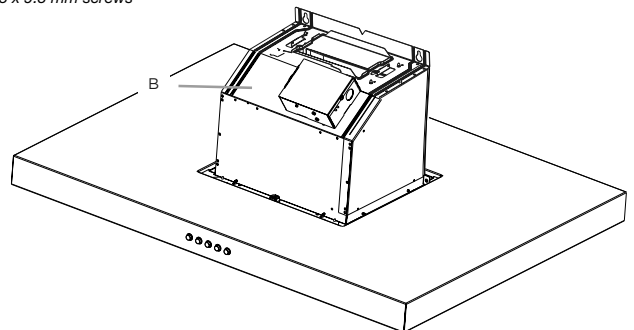
3. Fix the upper horizontal support with 4 - 5x45 mm screws.



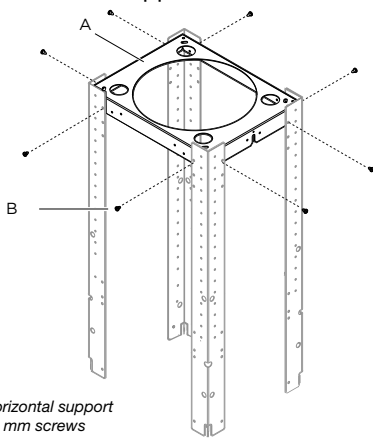
4. Remove mounting template
5. Install the 6" (15.2 cm) round transition with 2 - 3.5x9.5 mm screws.



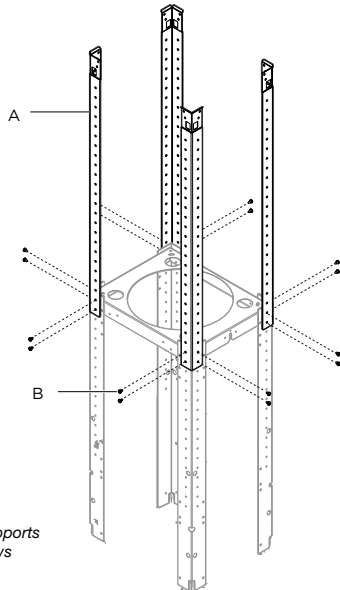
- A. 6" round transition
- B. Hood assembly
- C. 2 - 3.5 x 9.5 mm screws



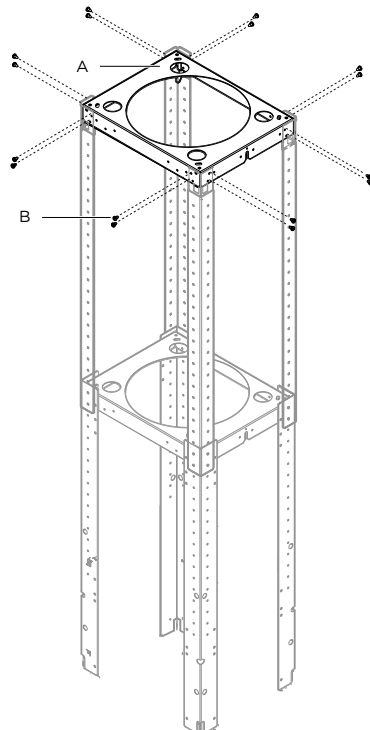
6. Install the lower horizontal support with 8 - 4.2x8 mm screws.



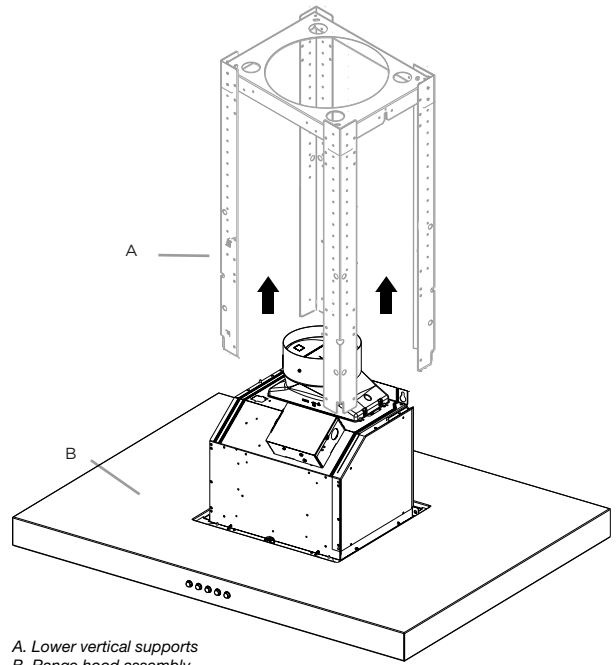
7. Install the 4 vertical supports with 16 - 4.2x8 mm screws.



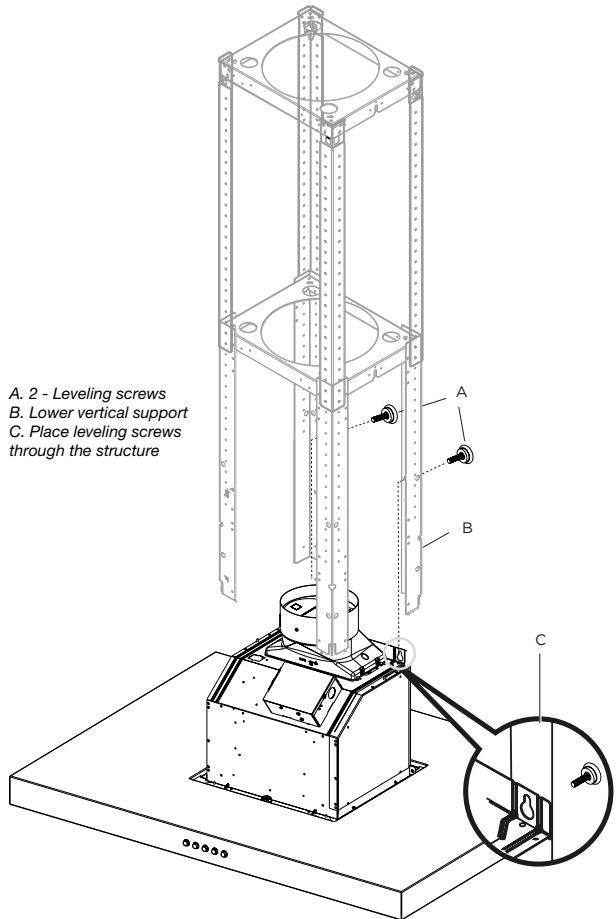
8. Install the structure to the horizontal support with 16 - 4.2x8 mm screws.



9. Using 2 or more people, lift the range hood assembly under the structure.

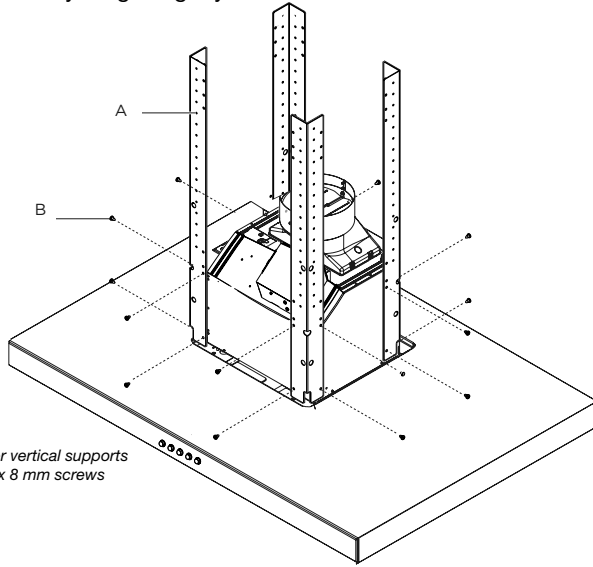


10. Attach the range hood assembly to the lower vertical supports with 2 leveling screws.



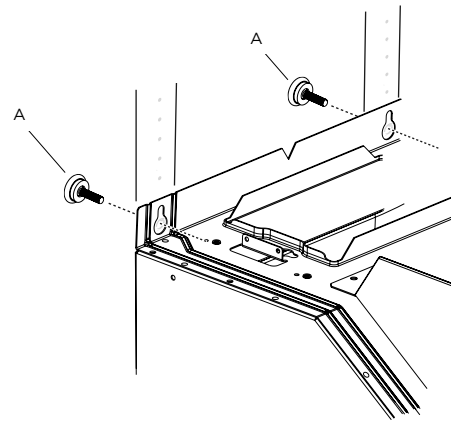
11. Install the 4 vertical supports with 16 - 4.2x8 mm screws.

Check everything is tightly screwed.



A. 4 - Lower vertical supports
B. 16 - 4.2 x 8 mm screws

12. Remove the 2 leveling screws from the structure.



A. 2 - Leveling screws

Electrical Connection

⚠ WARNING

ELECTRICAL SHOCK HAZARD.

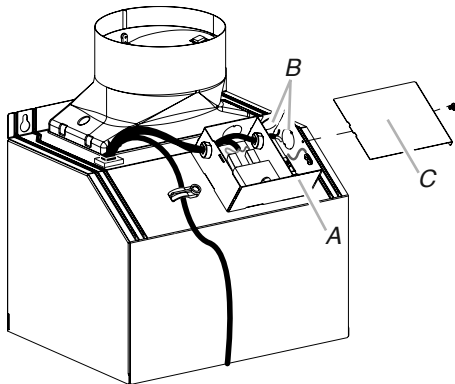
⚠ WARNING

DISCONNECT POWER BEFORE SERVICING.

REPLACE ALL PARTS AND PANELS BEFORE OPERATING.

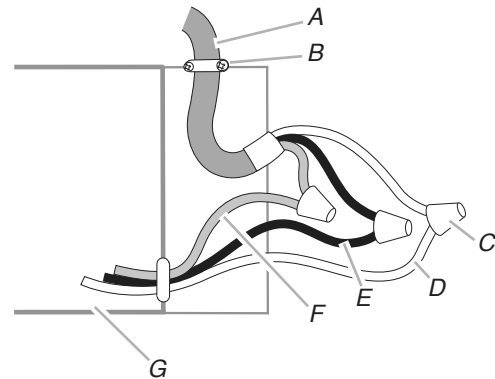
FAILURE TO DO SO CAN RESULT IN DEATH OR ELECTRICAL SHOCK.

1. Disconnect power.
2. Remove terminal box cover.
3. Remove the knockout in the terminal box cover and install a UL listed or CSA approved 1/2" strain relief.



A. Terminal box
B. Knockout
C. Terminal box cover

4. Run home power supply cable through strain relief, into terminal box.



A. Home power supply cable
B. UL listed or CSA approved strain relief
C. UL listed wire connectors
D. White wires
E. Black wires
F. Green (or bare) and yellow-green ground wires
G. Terminal box

5. Use UL listed wire connectors and connect black wires (C) together.
6. Use UL listed wire connectors and connect white wires (E) together.

⚠ WARNING

ELECTRICAL SHOCK HAZARD.

⚠ WARNING

ELECTRICALLY GROUND BLOWER.

CONNECT GROUND WIRE TO GREEN AND YELLOW GROUND WIRE IN TERMINAL BOX. FAILURE TO DO SO CAN RESULT IN DEATH OR ELECTRICAL SHOCK.

7. Connect green (or bare) ground wire from home power supply to yellow-green ground wire (F) in terminal box using UL listed wire connectors.
8. Tighten strain relief screw.
9. Install terminal box cover.
10. Reconnect power.

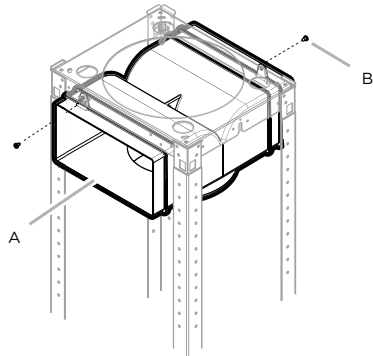
Complete Installation

ONLY FOR RECIRCULATING VERSION

(Using Recirculating Kit model KIT01938)

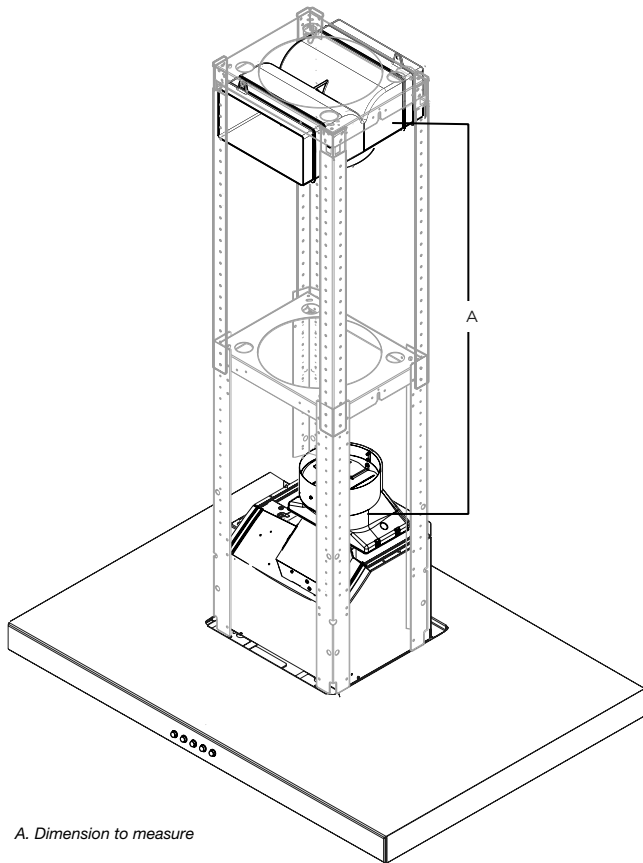
Air deflector installation

- Assemble the air deflector with the upper horizontal support with 2 assembly screws.



A. Air deflector
B. Assembly screws

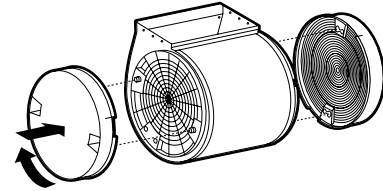
- Measure from the bottom of the air deflector to the bottom of the hood outlet, as shown.



A. Dimension to measure

- Cut the duct at the measured size.
- Slip the duct onto the bottom of the deflector.
- Place the duct over the exhaust outlet from the hood.
- Use duct tape to seal the deflector and at the exhaust outlet from the hood.
- Remove protective film from the hood.

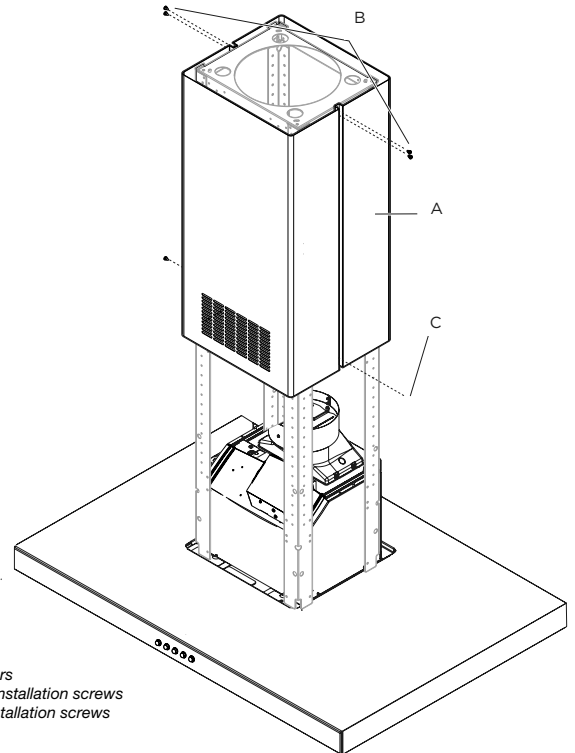
- Place charcoal filters. See "Maintenance" section.



Duct cover installation (both ducted and non ducted versions)

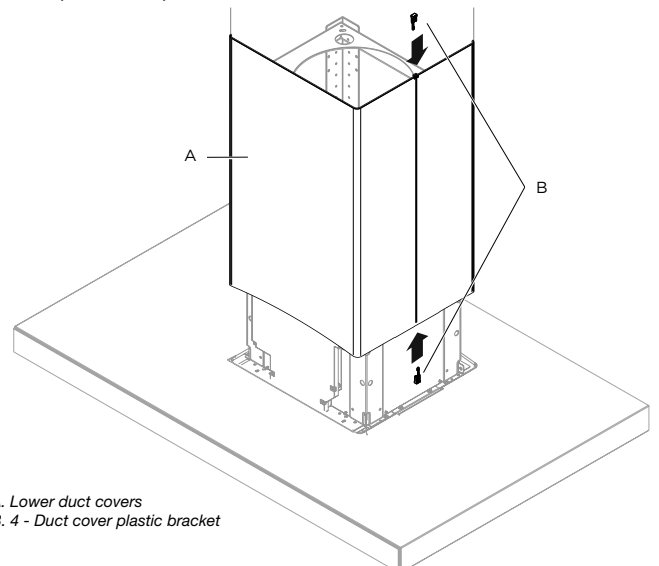
- Attach the upper duct covers using 6 screws.

NOTE: For non-ducted (recirculating) installation, the slotted holes in the upper duct covers will be visible when assembled. For ducted installations, the slotted holes will be hidden down inside the lower duct covers.



A. Upper duct covers
B. 4 - 3.5x6.5 mm installation screws
C. 2 - 2.9x3 mm installation screws

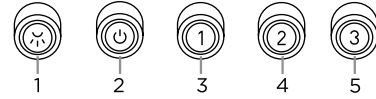
- Place lower duct covers using one plastic bracket at each side (4 needed).



A. Lower duct covers
B. 4 - Duct cover plastic bracket

- Secure the lower duct cover to the range hood canopy using 4 - 4.2 x 8 mm screws.

Control



1. Light On/Off button
2. Blower On/Off button
3. Blower speed minimum button
4. Blower speed medium button
5. Blower speed maximum button

NOTE: Control buttons will light up when range hood is On.

Operating the light

The Light On/Off button (1) controls both lights. Press once for On and again for Off.

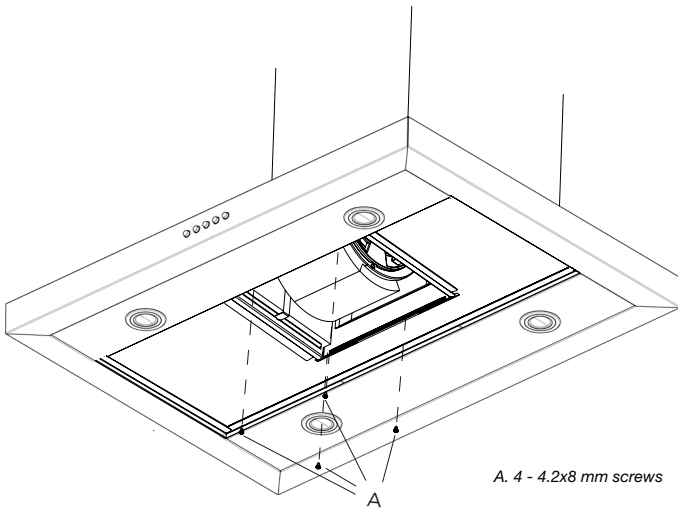
Operating the blower

The Blower On/Off button (2) turns the blower On or Off.

The Blower Speed buttons (3, 4 and 5) set the desired speed and control the sound level for quiet operation. The speed can be changed anytime during fan operation by pressing the desired blower speed button.

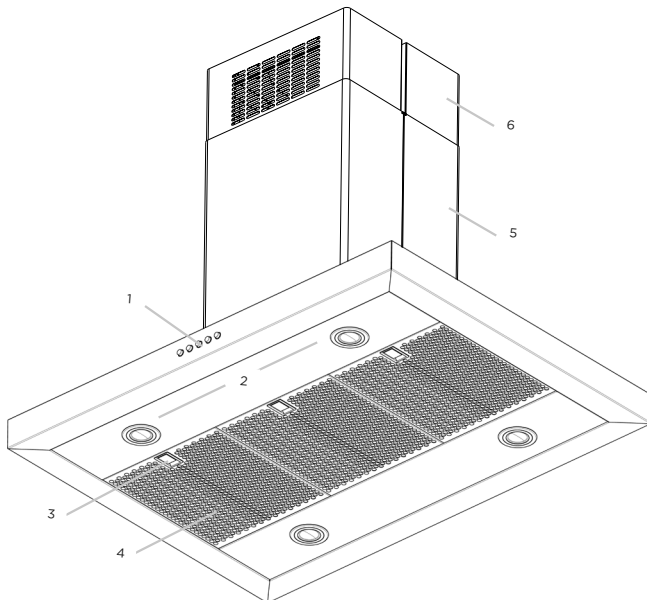
1. To turn the blower On, press the Blower On/Off button (2) and the desired speed button (3, 4 or 5).
2. To turn the blower Off, press the Blower On/Off button (2).

Any of the 3 blower speed buttons can be in the On position at the same time. The blower will operate at the highest speed button that is pushed in. For lower blower speeds, the higher speed buttons must not be pushed in.



A. 4 - 4.2x8 mm screws

Description of the Hood



1. Blower and LED lamp controls
2. LED lamps
3. Grease filter handle
4. Grease filters
5. Lower duct cover
6. Upper duct cover

Range Hood Care

⚠ ATTENTION!

Before performing any maintenance operation, isolate the hood from the electrical supply by switching off at the connector and removing the connector fuse.

Or if the appliance has been connected through a plug and socket, then the plug must be removed from the socket.

Cleaning

Do not spray cleaners directly to the control while cleaning the Hood. The cooker hood should be cleaned regularly (at least with the same frequency with which you carry out maintenance of the fat filters) internally and externally. Clean using the cloth dampened with neutral liquid detergent. Do not use abrasive products.

DO NOT USE ALCOHOL!

Exterior surfaces

To avoid damage to the exterior surface, do not use steel wool or soap-filled scouring pads. Do not use chlorine base cleaners. Rub in direction of the grain line to avoid scratching the surface.

⚠ WARNING

Failure to carry out the basic cleaning recommendations of the cooker hood and replacement of the filters may cause fire risks.

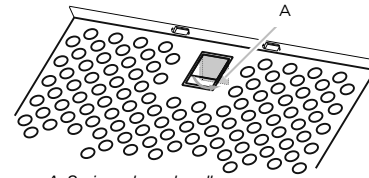
Therefore, we recommend observing these instructions.

The manufacturer declines all responsibility for any damage to the motor or any fire damage linked to inappropriate maintenance or failure to observe the above safety recommendations.

Grease filter

Traps cooking grease particles.

This must be cleaned once a month using non aggressive detergents, either by hand or in the dishwasher, which must be set to a low temperature and a short cycle. When washed in a dishwasher, the grease filter may discolour slightly, but this does not affect its filtering capacity. To remove the grease filter, pull the spring release handle.



A. Spring release handle

Replacing a LED Lamp

The LED lights are replaceable by a service technician only. See “Who to contact” section in the warranty for service contact information.

Are You Having Difficulty Assembling
This Product? Missing Parts?

PLEASE DO NOT RETURN TO THE STORE!

Call Service Power

1-888-732-8018

between 7 a.m. and 4:00 p.m. (Pacific Time), Monday - Friday

or Email: ***elica@servicepower.com***

(please include contact name, model, serial number, purchasing ticket and best time to contact)

**for all replacement parts and any questions
you may have about this product!**

SERVICE *Power*
Service Made Simple

1503 South Coast Drive #320 Costa Mesa, CA 92626

IMPORTANT: Please save the original package if return is needed.

WARRANTY

**TO OBTAIN SERVICE UNDER WARRANTY:
or any Service Related Questions, please call:
1-888-732-8018**

Staple your receipt here.
Proof of the original purchase
date is needed to obtain service
under the warranty.

**TO OBTAIN SERVICE UNDER WARRANTY: You must present proof of original purchase date.
Please keep a copy of your dated proof of purchase (sales slip) in order to obtain service under warranty.**

Parts and Service Warranty:

For the period of one year from the date of the original purchase, we will provide free of charge, non consumable parts or components that failed due to manufacturing defects. During this one year limited warranty, we will also provide, free of charge, all labor and in-home service to replace the defective part.

What is Not Covered:

- Damage to the product caused by floods, act of God, fire and accidents.
- Damage caused after delivery.
- House fuses replacement or resetting of circuit breakers.
- Service trips to your home to teach you how to use or install the product.
- Light bulbs, metal, carbon filters and the other consumable parts.
- The natural wear of finish, and wear due to improper maintenance, use of corrosive and abrasive cleaning products, pads, and oven cleaner products.

This warranty will be voided when:

- Product damaged due to improper installation and failure to follow installation instructions, delivery or maintenance.
- Incidental or consequential damage caused by possible defects with this appliance.
- Alteration or modification of the Product which may cause in damage to the Product, or failure to operate it in accordance with specifications.
- Damage because of improper connection with equipment of other manufacturers.
- Failure of the product if it is negligence, abused, misused, or used for other than the intended purpose or used commercially.
- Improper repair, modification or servicing of the Product performed by third parties other than Authorized Agents.

Who is Covered:

This warranty is extended to the original purchaser for products purchased for ordinary home use in the 48 mainland states, Hawaii, Washington D.C. Alaska, Guam, Puerto Rico and the Virgin Islands.

This warranty is non-transferable and applies only to the original purchaser and does not extend to subsequent owners of this product. This warranty is made expressly in lieu of all other warranties, expressed or implied, including, but not limited, any implied warranty of merchantability or fitness for a particular purpose, and all other obligations on the part of Elicamex, provided, however, that if the disclaimer of implied warranties is ineffective under applicable law, the duration of any implied warranties arising by operation of law shall be limited to 1 (one) year from the date of original purchase at retail or such longer period as may be required by applicable law.

This warranty does not cover any special, incidental and/or consequential damages, nor loss of profits, suffered by the original purchaser, its customers and/or the users of the Product.

Have your product proof of purchase with date ready for warranty issues.
Or write to:

Who to contact

To obtain service under warranty or for any service related question, please visit the support section on the website below:

www.elica.com

Have your product proof of purchase with date ready for warranty issues.

Sommaire

**APPROUVÉ COMME APPAREIL DOMESTIQUE
POUR UNE UTILISATION RÉSIDENIELLE SEULEMENT
LISEZ CES INSTRUCTIONS ET CONSERVEZ-LES**

Outils et pièces	16
Dimensions et dégagements	17
Exigences électriques	17
Méthodes d'évacuation	18
Instructions d'installation	19
Installer la hotte	19
Connexion électrique	21
Achever l'installation	22
Description de la hotte	23
Commandes	23
GARANTIE	26

**VEUILLEZ LIRE CES INSTRUCTIONS AU COMPLET AVANT
DE COMMENCER.
L'INSTALLATION DE L'APPAREIL DOIT RESPECTER TOUS
LES CODES EN VIGUEUR.**

IMPORTANT: Conservez ces instructions afin de pouvoir les remettre à l'inspecteur-électricien de votre région.

INSTALLATEUR: Veuillez laisser ces instructions avec l'appareil pour le propriétaire.

PROPRIÉTAIRE: Veuillez conserver ces instructions pour pouvoir vous y référer plus tard.

Avertissement de sécurité: Coupez l'alimentation du circuit dans le panneau électrique et verrouillez le panneau avant de raccorder les fils de cet appareil

Requirement 120 VAC, 60 Hz. 15 or 20 A Branch Circuit

IMPORTANTES INSTRUCTIONS DE SÉCURITÉ

AVERTISSEMENT: POUR RÉDUIRE LE RISQUE D'INCENDIE, CHOC ÉLECTRIQUE OU DOMMAGES CORPORELS, RESPECTER LES INSTRUCTIONS SUIVANTES:

- Utiliser cet appareil uniquement dans les applications envisagées par le fabricant. Pour toute question, contacter le fabricant.
- Avant d'entreprendre un travail d'entretien ou de nettoyage, interrompre l'alimentation de la hotte au niveau du tableau de disjoncteurs, et verrouiller le tableau de disjoncteurs pour empêcher tout rétablissement accidentel de l'alimentation du circuit. Lorsqu'il n'est pas possible de verrouiller le tableau de disjoncteurs, placer sur le tableau de disjoncteurs une étiquette d'avertissement proéminente interdisant le rétablissement de l'alimentation.
- Tout travail d'installation ou câblage électrique doit être réalisé par une personne qualifiée, dans le respect des prescriptions de tous les codes et normes applicables, y compris les codes du bâtiment et de protection contre les incendies.
- Une source d'air de débit suffisant est nécessaire pour le fonctionnement correct de tout appareil à gaz (combustion et évacuation des gaz à combustion par la cheminée), pour qu'il n'y ait pas de reflux des gaz de combustion. Respecter les directives du fabricant de l'équipement de chauffage et les prescriptions des normes de sécurité - comme celles publiées par la National Fire Protection Association (NFPA) et l'American Society for Heating, Refrigeration and Air Conditioning Engineers (ASHRAE), et les prescriptions des autorités réglementaires locales.
- Lors d'opérations de découpage et de perçage dans un mur ou un plafond, veiller à ne pas endommager les câblages électriques ou canalisations qui peuvent s'y trouver.
- Les ventilateurs d'évacuation doivent toujours décharger l'air à l'extérieur.

MISE EN GARDE: Cet appareil est conçu uniquement pour la ventilation générale. Ne pas l'utiliser pour l'extraction de matières ou vapeurs dangereuses ou explosives.

MISE EN GARDE: Pour minimiser le risque d'incendie et évacuer adéquatement les gaz, veiller à acheminer l'air aspiré par un conduit jusqu'à l'extérieur - ne pas décharger l'air aspiré dans un espace vide du bâtiment comme une cavité murale, un plafond, un grenier, un vide sanitaire ou un garage.

AVERTISSEMENT: POUR RÉDUIRE LE RISQUE D'INCENDIE, UTILISER UNIQUEMENT DES CONDUITS MÉTALLIQUES.

AVERTISSEMENT: Ne pas utiliser un ventilateur avec un cordon ou une fiche endommagé. Jeter ventilateur ou retourner à un cen-

tre de service autorisé pour examen et / ou réparation.

AVERTISSEMENT: POUR MINIMISER LE RISQUE D'UN FEU DE GRAISSE SUR LA CUISINIÈRE:

- Ne jamais laisser un élément de surface fonctionner à puissance de chauffage maximale sans surveillance. Un renversement/débordement de matière grasseuse pourrait provoquer une inflammation et la génération de fumée. Utiliser une puissance de chauffage moyenne ou basse pour le chauffage d'huile.
- Veiller à toujours faire fonctionner le ventilateur de la hotte lors de la cuisson avec une puissance de chauffage élevée ou lors de la cuisson d'un mets à flamber (à savoir crêpes Suzette, cerise jubilee, steak au poivre flambé).
- Nettoyer fréquemment les ventilateurs d'extraction. Veiller à ne pas laisser la graisse s'accumuler sur les surfaces du ventilateur ou des filtres.
- Utiliser toujours un ustensile de taille appropriée. Utiliser toujours un ustensile adapté à la taille de l'élément chauffant.

AVERTISSEMENT: POUR RÉDUIRE LE RISQUE DE DOMMAGES CORPORELS APRÈS LE DÉCLENCHEMENT D'UN FEU DE GRAISSE SUR LA CUISINIÈRE, APPLIQUER LES RECOMMANDATIONS SUIVANTES:^a

- Placer sur le récipient un couvercle bien ajusté, une tôle à biscuits ou un plateau métallique POUR ÉTOUFFER LES FLAMMES, puis éteindre le brûleur. VEILLER À ÉVITER LES BRÛLURES. Si les flammes ne s'éteignent pas immédiatement, ÉVACUER LA PIÈCE ET APPELER LES POMPIERS.
- NE JAMAIS PRENDRE EN MAIN UN RÉCIPENT ENFLAMMÉ - vous risquez de vous brûler.
- NE PAS UTILISER D'EAU, ni un torchon humide - ceci pourrait provoquer une explosion de vapeur brûlante.
- Utiliser un extincteur SEULEMENT si:
 - Il s'agit d'un extincteur de classe ABC, dont on connaît le fonctionnement.
 - Il s'agit d'un petit feu encore limité à l'endroit où il s'est déclaré.
 - Les pompiers ont été contactés.
 - YII est possible de garder le dos orienté vers une sortie pendant l'opération de lutte contre le feu.

^aRecommandations tirées des conseils de sécurité en cas d'incendie de cuisine publiés par la NFPA.

AVERTISSEMENT: Pour réduire le risque d'incendie ou de choc électrique, ne pas utiliser ce ventilateur avec un quelconque dispositif de réglage de la vitesse à semiconducteurs.

LIRE ET CONSERVER CES INSTRUCTIONS

Outils et pièces

Parts supplied

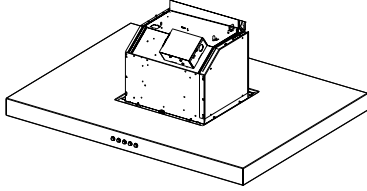
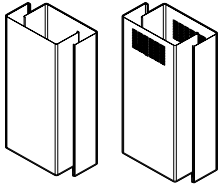

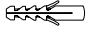

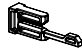

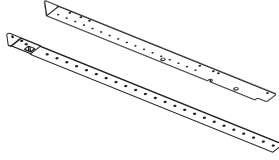


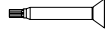

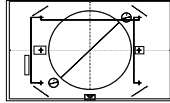
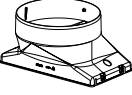
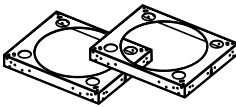
Retirer les pièces de leur emballage.

⚠ ATTENTION

Enlever délicatement le carton, porter des gants pour se protéger des bords coupants.

⚠ AVERTISSEMENT

Enlever le film de protection recouvrant le produit avant de commencer l'opération.

Pièces Fournies	Qté.	Pièces Fournies	Qté.
 Assemblage hotte avec soufflerie et lampes DEL	1	 Couvertures inférieures et supérieures des cheminées.	Supérieures: 2 Inférieures: 2
 5x45 mm	4	 8x40 mm	4
 4.2x8 mm	60	 Bride de support du cache-conduit	4
 3.5x9.5 mm	2	 Supports verticaux	Supérieures: 4 Inférieures: 4
 3.5x6.5 mm	4		
 2.9x3 mm	2	 Adaptateur Torx	#10: 1 #20: 1
 Vis de nivellement	2	 Gabarit de montage	1
 Transition ronde de 6"	1		
 Supports horizontaux	2		

Pièces non fournies

Outils nécessaires

- Ecrous métalliques
- Ruban pour le gabarit de montage
- Conduit métallique circulaire de 6" pour parfaire l'installation
- Mètre ruban
- Tenailles
- Gants
- Couteau
- Lunettes de sécurité
- Foreuse électrique 5/16" et 3/8"
- Réducteur de tension
- Niveau
- Toile isolante

- Tournevis Phillips #2
- Dénudeur
- Ruban de masquage
- Marteau
- Scie, scie circulaire

Pièces nécessaires

- Câble d'alimentation domestique
- Dispositif anti-traction de 1/2" (12,7 mm) répertorié UL ou approuvé CSA
- 3 connecteurs de fils homologués UL

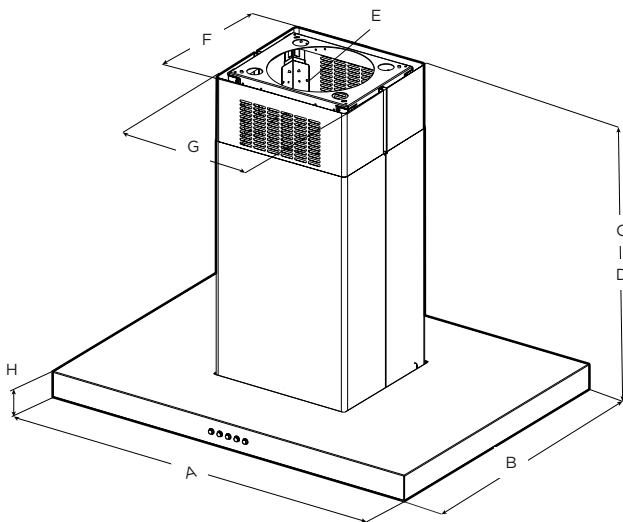
Pour les installations ventilées, vous aurez également besoin de :

- 1 capuchon de mur ou de toit
- Un système d'évent métallique

Accessoires optionnel

KIT	# Pièce
Kit de recirculation	KIT01938
Kit d'extension de cheminée longue	KIT0100317
Kit de déflecteur d'air de 6 pouces	KIT0102873
Kit de réduction CFM	KIT02748

Dimensions et dégagements



Modèles	
AMT636SSA	
A	36" (91.4 cm)
B	27 $\frac{1}{8}$ " (68.9 cm)
C*	Min: 29 $\frac{3}{16}$ " (75.7 cm) Max: 50 $\frac{1}{8}$ " (126 cm)
D**	Min: 29 $\frac{3}{16}$ " (75.7 cm) Max: 44 $\frac{7}{8}$ " (114 cm)
E	6" (15.9 cm)
F	12" (30.4 cm)
G	13" (33.24 cm)
H	2 $\frac{3}{8}$ " (6 cm)

* Version sans conduit (recirculation)

** Version avec conduit

Exigences électriques

IMPORTANT

Respectez tous les codes et les ordonnances en vigueur.

Le client a la responsabilité de :

- Contacter un électricien-installateur.
- Vérifier que l'installation électrique est adéquate et conforme avec le Code national de l'électricité, ANSI/ NFPA 70 (la plus récente édition*), ou les normes C22.1-94, Code canadien de l'électricité, Partie 1 et C22.2 No.0-M91 (La plus récente édition**) de la CSA, ainsi que tous les codes et les ordonnances de votre région.
- Si le code le permet et que vous utilisez un fil de mise à la terre distinct, il est recommandé de faire vérifier le chemin du fil par un électricien.
- Ne pas mettre l'appareil à la terre sur une conduite de gaz.
- Consultez un électricien qualifié si vous n'êtes pas certain que la hotte est mise à la terre correctement.
- N'installez pas un fusible dans le circuit neutre ou le circuit de mise à la terre.

IMPORTANT

- Conservez ces instructions afin de pouvoir les remettre à l'inspecteur-électricien.
- La hotte doit être câblée uniquement à l'aide de fils de cuivre.
- Il faut raccorder la hotte directement à une boîte à fusible ou à un disjoncteur par l'entremise d'une canalisation électrique en métal.
- Le calibre de fil doit être conforme aux exigences du Code national de l'électricité, ANSI/NFPA 70 (La plus récente édition*), ou les normes C22.1-94, Code canadien de l'électricité, Partie 1 et C22.2 0-M91 (La plus récente édition**) de la CSA, ainsi que tous les codes et les ordonnances de votre région.
- Il faut prévoir un connecteur de canalisation approuvé par l'UL ou la CSA à chaque extrémité de la canalisation d'alimentation (À la hotte et à la boîte de jonction).

Vous pouvez obtenir un exemplaire des normes indiquées en vous adressant à:
* La National Fire Protection Association, Batterymarch Park Quincy, Massachusetts, 02269

** La CSA International, 8501 East Pleasant Valley Road, Cleveland, Ohio, 44131-5575

AVANT D'INSTALLER LA HOTTE

1. Pour assurer la ventilation la plus efficace possible, installez la conduite en ligne droite ou avec le moins de coudes possibles.

ATTENTION : La sortie de la conduite de ventilation doit donner sur l'extérieur.

2. Deux personnes sont nécessaires pour effectuer l'installation.
3. La quincaillerie fournie permet de fixer la hotte à la plupart des murs et des plafonds; consultez un installateur qualifié pour vous assurer que la quincaillerie fournie est adaptée à votre type de mur ou d'armoire.
4. N'utilisez pas de conduit flexible.
5. Dans le cas des endroits sujets aux TEMPÉRATURES FROIDES, il faut installer un clapet de contre-tirage supplémentaire afin de minimiser le retour d'air froid et un isolant thermique non métallique afin de minimiser la conduction de la température extérieur dans le conduit. Il faut placer le clapet du côté de l'air froid de l'isolant thermique. L'isolant doit être placé le plus près possible de l'endroit où le conduit entre dans la partie chauffée de la maison.

6. Air d'appoint : Le code du bâtiment de votre région peut exiger l'utilisation d'un système d'air d'appoint si vous utilisez un système de ventilation à conduit dont le mouvement d'air

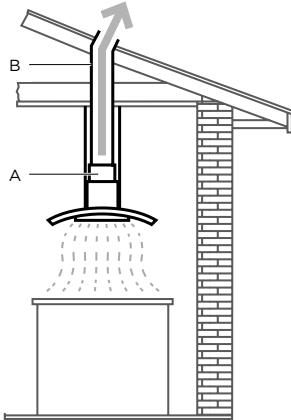
dépasse un certain nombre de CFM. Le nombre de pi3/min varie d'une région à l'autre. Consultez un professionnel de CVC pour connaître les exigences précises de votre région.

Méthodes d'évacuation

Suivez à la lettre les directives présentées dans ce manuel. Le fabricant refuse toute responsabilité en ce qui a trait à tout préjudice, dommage ou incendie causé par la non observation des directives contenues dans le présent manuel.

Versión à conduit

La hotte est dotée d'une transition 6" (15,2 cm) afin d'évacuer les vapeurs à l'extérieur.

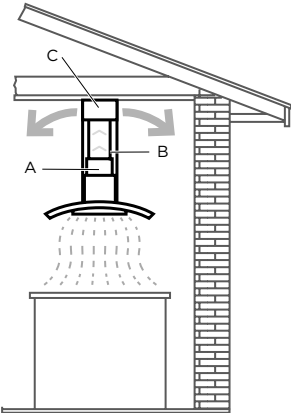


A. Transition de 6" (15,2 cm)
B. Conduit rond de 6" (15,2 cm)

Versión sans conduit (Recyclage)

S'il s'avère impossible d'évacuer la fumée et les vapeurs de cuisson à l'extérieur, il est possible de transformer la hotte en version sans conduit (Recyclage). Fixer un filtre au charbon et le déflecteur sur le support de couvercle de conduit. La fumée et la vapeur sont recyclées.

Dans le cas de la version sans conduit (à recyclage) seulement: procurez-vous la trousse de conversion en hotte à recyclage.



A. Transition de 6" (15,2 cm)
B. Conduit rond de 6" (15,2 cm)
C. Déflecteur

Préparation

Ne coupez pas une solive ou un montant à moins qu'il soit absolument nécessaire de le faire. Si vous devez couper une solive ou un montant, vous devez construire un cadre de soutien.

La quincaillerie fournie permet de fixer la hotte à la plupart des murs et des plafonds.

Vous devez cependant demander à un technicien qualifié de vérifier la solidité des matériaux selon le type de mur ou de plafond.

Avant de couper, assurez-vous qu'il y a un dégagement suffisant dans le plafond ou le mur pour passer la conduite de sortie.

Hauteur d'installation recommandée:

La hauteur d'installation de la hotte au-dessus de la table de cuisson dépend de la préférence de l'utilisateur.

Plus la hotte est basse au-dessus de la table de cuisson, plus elle est efficace pour capturer les odeurs de cuisson, la graisse et la fumée.

⚠ ATTENTION

Pour l'installation des cuisinières à gaz: Installer cette hotte de sorte que le rebord inférieur est à 30" (76,2 cm) au-dessus de la surface de cuisson.

Pour l'installation des cuisinières électriques / induction: Installer cette hotte de sorte que le rebord inférieur est pas moins de 24" (61 cm) sur la surface de cuisson.

Il est recommandé d'installer cette hotte plus de 36" (91,4 cm) au-dessus de la surface de cuisson. Par pouce (2,54 cm) supérieure à 36" (91,4 cm) diminuera l'efficacité de la capture de la fumée et de l'humidité, et la performance de ventilation.

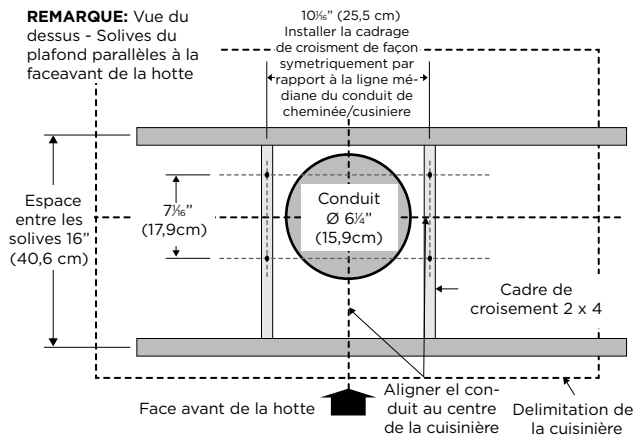
S'IL VOUS PLAÎT LIRE L'INSTALLATION POUR UNE INSTALLATION SPÉCIFIQUE. Avant de choisir la hotte, vérifiez la hauteur du plafond et la hauteur maximale de la hotte.

Instructions d'installation

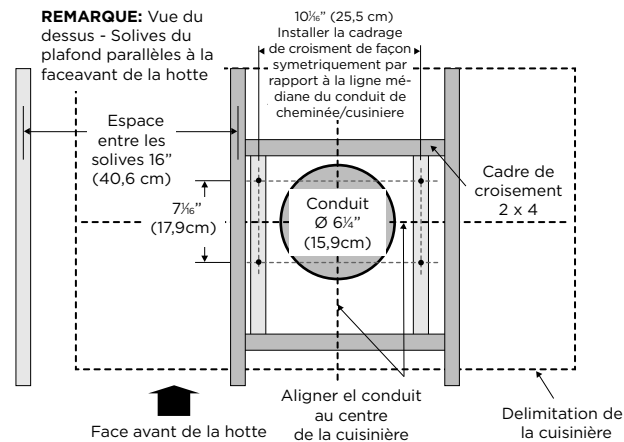
Structures de soutien au plafond

- Cette hotte de ventilation est lourde. Une ossature et des supports appropriés doivent être prévus pour les types d'installations.
- À l'emplacement de la hotte, installez une ossature transversale de 2 po x 4 po entre les solives du plafond, comme illustré (2 po x 4 po sont nécessaires pour supporter le poids de la hotte).
- Ajustez l'ossature du plafond à la structure existante.
- Vos solives de plafond devraient être comme indiqué :

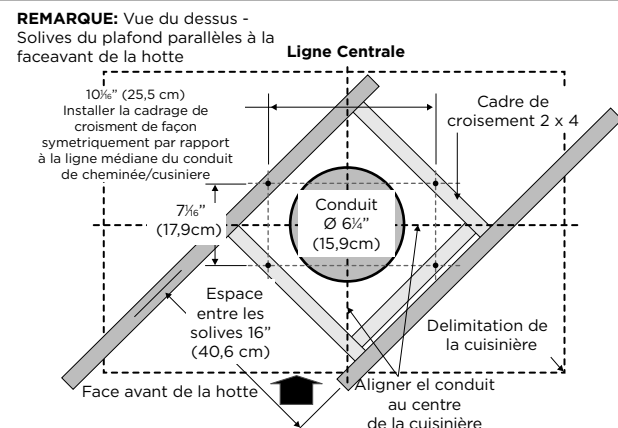
Exemple A



Exemple B



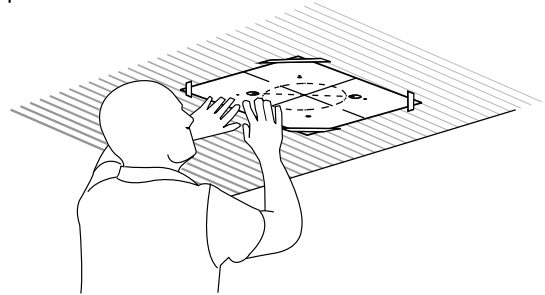
Exemple C



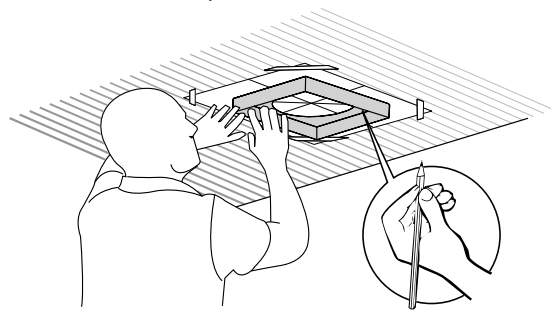
Installer la hotte

1. Placez le gabarit dans le plafond étant donné les directives pour les structures du support du plafond.

REMARQUE: Toujours considère le devant de légende du capuchon quand jouer le gabarit sur le plafond. Il définira l'emplacement du contrôle.

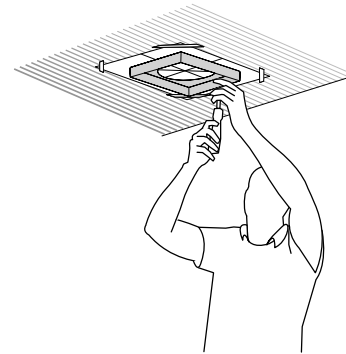


2. Marquer avec un crayon les emplacements des trous pour les vis et le conduit sur le plafond.

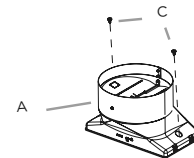


3. Retirer le gabarit de montage.

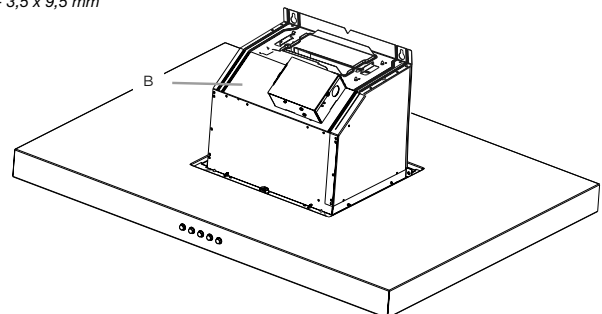
4. Fixer le support horizontal supérieur à l'aide de 4 vis de 5 x 45 mm.



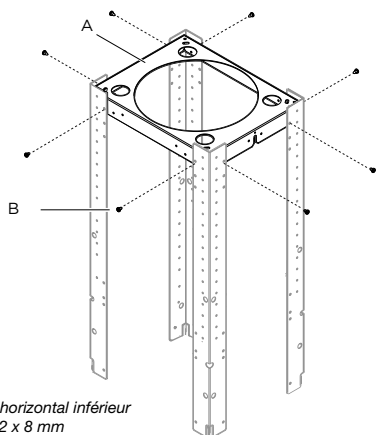
5. Installez le transition rond de 6" (15,2 cm) avec 2 vis de 3,5 x 9,5 mm



- A. Transition rond de 6"
B. La hotte
C. 2 vis - 3,5 x 9,5 mm

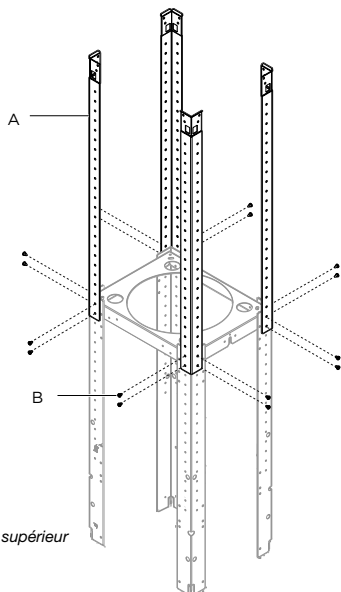


6. Installez le support horizontal inférieur avec 8 vis de 4,2 x 8 mm.



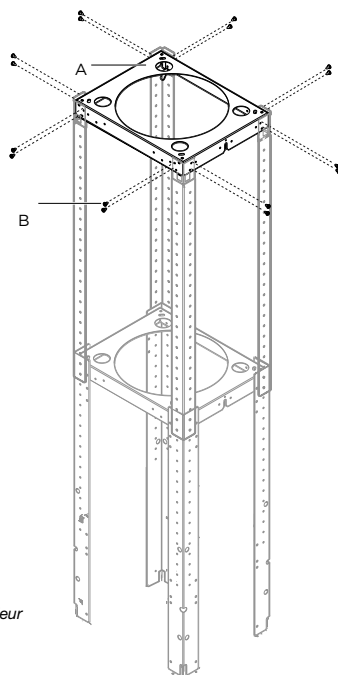
A. Support horizontal inférieur
B. 8 vis - 4,2 x 8 mm

7. Installez les 4 supports verticaux avec 16 vis de 4,2 x 8 mm.



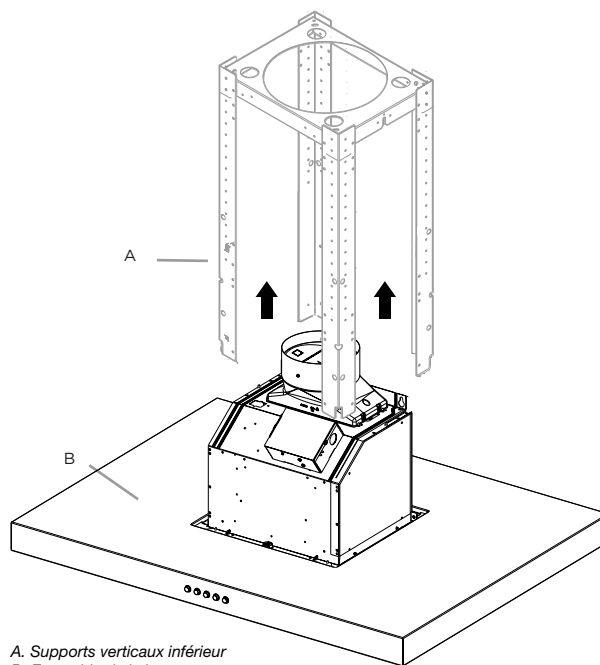
A. 4 supports verticaux supérieur
B. 16 vis - 4,2 x 8 mm

8. Installez le structure aux le support horizontal avec 16 vis de 4,2 x 8 mm.



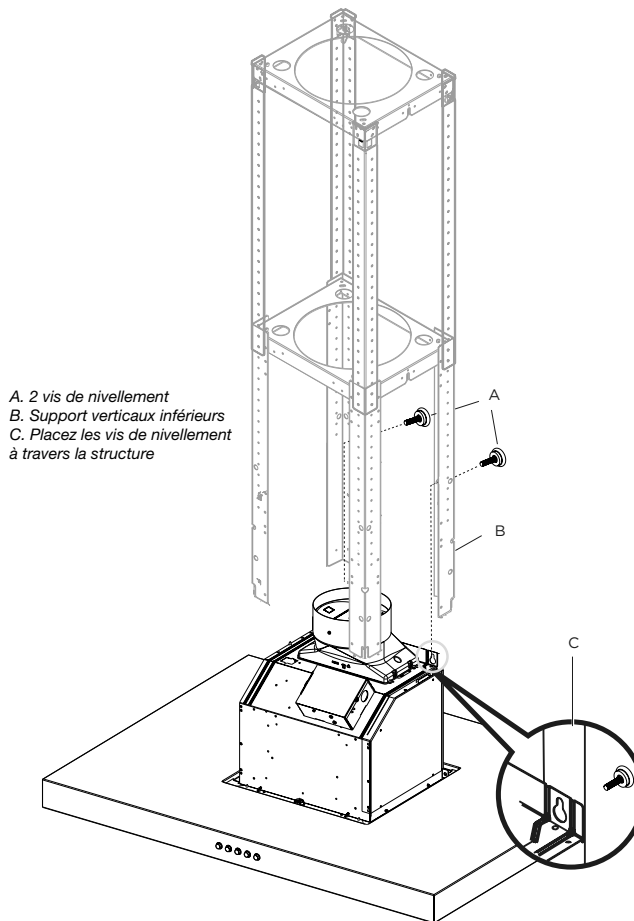
A. Support horizontal supérieur
B. 16 - vis de 4,2x8 mm

9. À l'aide d'au moins 2 personnes, soulever l'ensemble de la hotte sous la structure.



A. Supports verticaux inférieur
B. Ensemble de la hotte

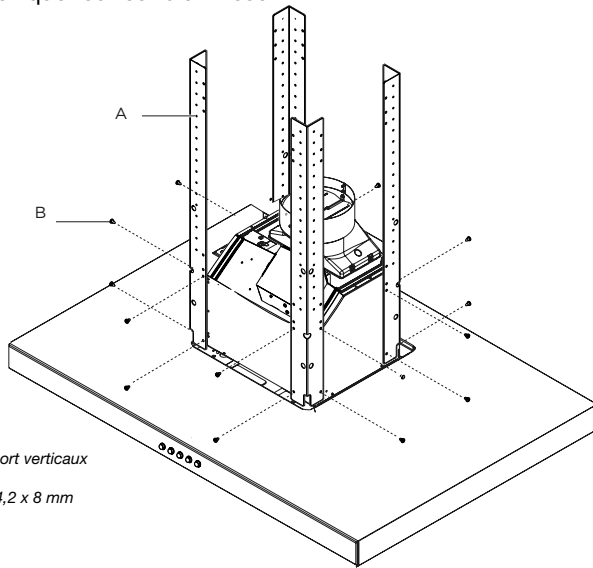
10. Attacher l'ensemble de la hotte aux les supports verticaux inférieur avec 2 vis de nivellement.



A. 2 vis de nivellement
B. Support verticaux inférieurs
C. Placez les vis de nivellement à travers la structure

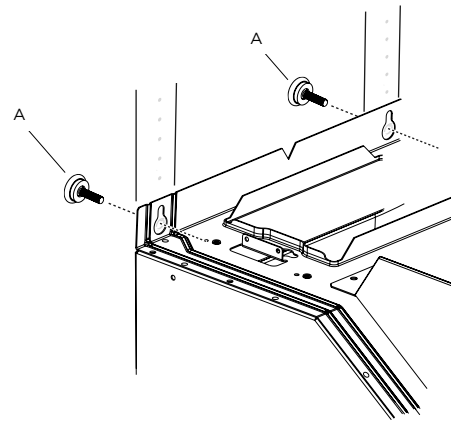
11. Installez les 4 supports verticaux avec 16 vis de 4,2 x 8 mm.

Vérifiez que tout est bien vissé.



A. 4 - Support verticaux inférieurs
B. 16 vis - 4,2 x 8 mm

12. Retirer les 2 vis de nivellement de la structure.



A. 2 vis de nivellement

Connexion électrique

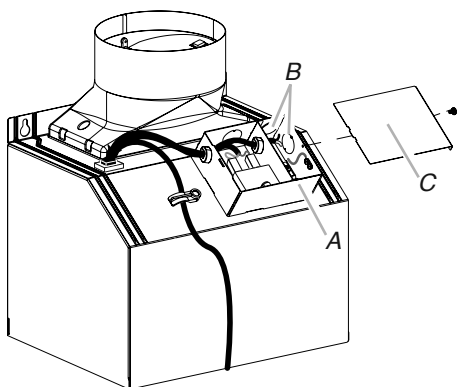
⚠ AVERTISSEMENT
RISQUE DE CHOC ÉLECTRIQUE.

⚠ AVERTISSEMENT
DÉBRANCHER L'ALIMENTATION AVANT DE PROCÉDER À L'ENTRETIEN.

REMPLACEZ TOUTES LES PIÈCES ET TOUS LES PANNEAUX AVANT D'UTILISER L'APPAREIL.

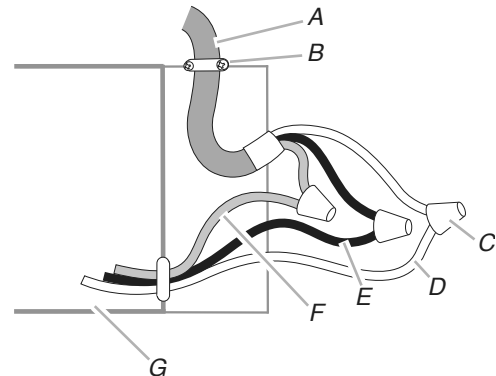
LE NON-RESPECT DE CETTE CONSIGNE PEUT ENTRAÎNER LA MORT OU UN CHOC ÉLECTRIQUE.

1. Débranchez l'alimentation.
2. Retirer le couvercle de la boîte à bornes.
3. Retirez la débouchure du couvercle de la boîte à bornes et installez une décharge de traction de $\frac{1}{2}$ " homologuée UL ou approuvée CSA.



A. Boîte à bornes
B. Débouchure
C. Couvercle de la boîte à bornes

4. Faites passer le câble d'alimentation domestique dans la boîte à bornes en le faisant passer par le dispositif anti-traction.



A. Câble d'alimentation domestique
B. Soulagement de traction répertorié UL ou approuvé CSA
C. Connecteurs de fils répertoriés UL
D. Fils blancs
E. Fils noirs
F. Fils de terre verts (ou nus) et jaune-vert
G. Boîte à bornes

5. Utilisez des connecteurs de fils homologués UL et connectez les fils noirs (C) ensemble.
6. Utilisez des connecteurs de fils répertoriés UL et connectez les fils blancs (E) ensemble.

⚠ AVERTISSEMENT
RISQUE DE CHOC ÉLECTRIQUE.

⚠ AVERTISSEMENT
METTEZ LA SOUFFLANTE À LA TERRE.

CONNECTEZ LE FIL DE TERRE AU FIL DE TERRE VERT ET JAUNE DE LA BOÎTE À BORNES. LE NON-RESPECT DE CETTE CONSIGNE PEUT ENTRAÎNER LA MORT OU UN CHOC ÉLECTRIQUE.

7. Connectez le fil de terre vert (ou nu) de l'alimentation électrique de la maison au fil de terre jaune-vert (F) de la boîte à bornes à l'aide de connecteurs de fils homologués UL.
8. Serrez la vis de décharge de traction.
9. Installez le couvercle de la boîte à bornes.
10. Rebranchez le courant.

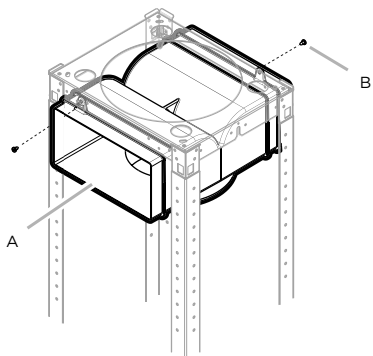
Achever l'installation

POUR NON INDÉPENDANTE (recirculation) VERSION

(Utilisation Kit Recirculating modèle KIT01938)

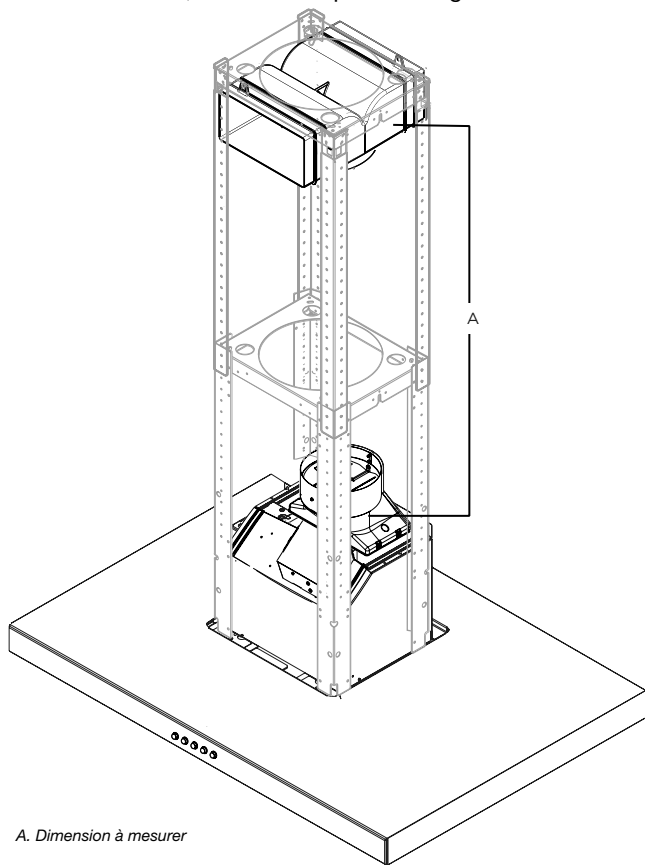
Installation du déflecteur

- Assembler le déflecteur d'air avec le support horizontal supérieur à l'aide des 2 vis fournies.



A. Déflecteur
B. Vis de montage

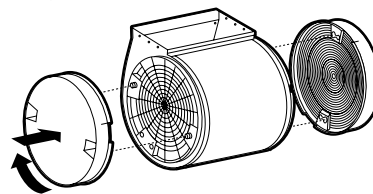
- Prendre les mesures du fond du déflecteur d'air au fond de la sortie de la hotte, comme indiqué sur la figure.



A. Dimension à mesurer

- Couper le conduit à la dimension mesurée.
- Glisser le conduit dans le fond du déflecteur.
- Placer le conduit assemblés sur la sortie d'évacuation de la hotte.
- Utiliser de la toile isolante pour sceller le déflecteur et à l'extrémité de l'évacuation extérieure de la hotte.
- Retirez le film de protection de la hotte.

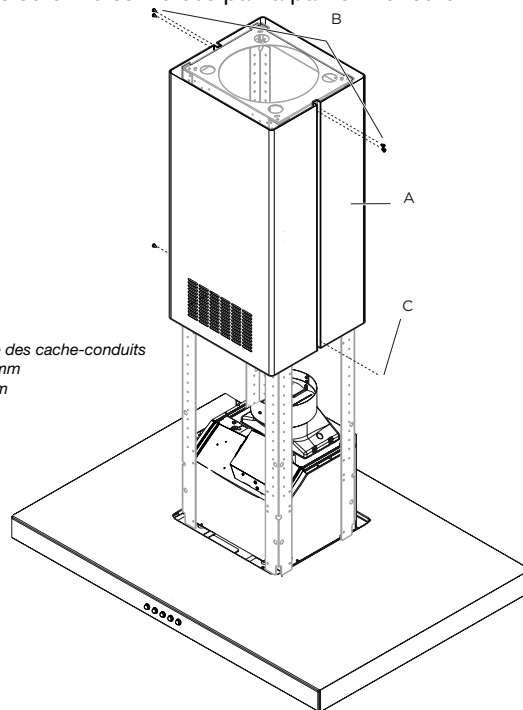
- Les filtres à charbon doivent être clipsés sur le moteur comme indiqué sur la figure.



Installation des cache-conduits

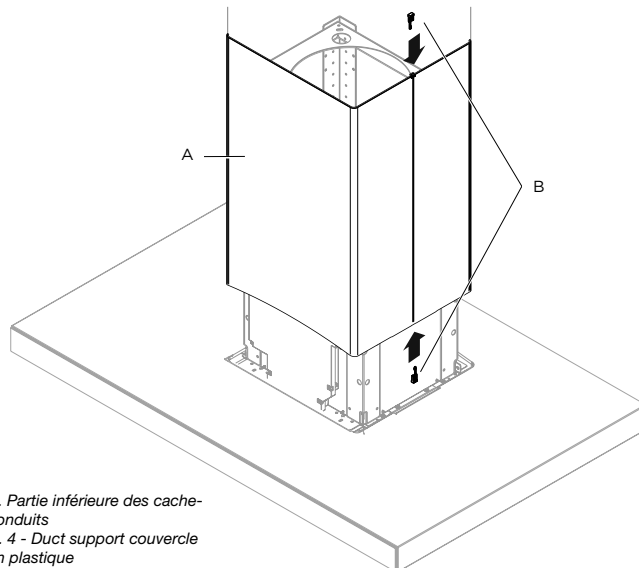
- Fixer la partie supérieure des cache-conduits à l'aide de 6 vis.

REMARQUE: Pour une installation sans décharge à l'extérieur (recyclage), les fentes de la partie supérieure des cache-conduits seront visibles une fois assemblés. Pour les installations avec décharge à l'extérieur, les fentes de la partie supérieure des cache-conduits seront dissimulées par la partie inférieure.



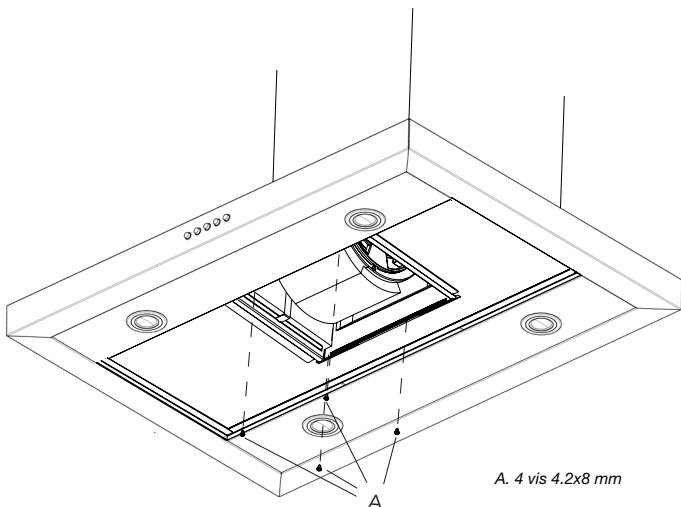
A. Partie supérieure des cache-conduits
B. 4 vis - 3,5 x 6,5 mm
C. 2 vis - 2,9 x 3 mm

- Fixer ensemble les parties inférieures des cache-conduits sur le sommet à l'aide de 4 chevilles en plastique.

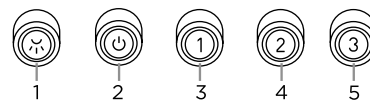


A. Partie inférieure des cache-conduits
B. 4 - Duct support couvercle en plastique

- Fixer la partie inférieure du cache-conduit à l'avent de la hotte de cuisinière en utilisant 4 vis - 4,2 x 8 mm.



Commandes



1. Bouton marche/arrêt de l'éclairage
2. Bouton de marche/arrêt du ventilateur
3. Bouton de vitesse minimale du ventilateur
4. Touche de vitesse moyenne du ventilateur
5. Touche de vitesse maximale du ventilateur

REMARQUE: Les boutons de commande s'allument lorsque la hotte est en marche.

Utilisation de l'éclairage

Le bouton Light On/Off (1) permet de contrôler les deux lumières. Appuyez une fois pour allumer et une autre fois pour éteindre.

Fonctionnement de la soufflerie

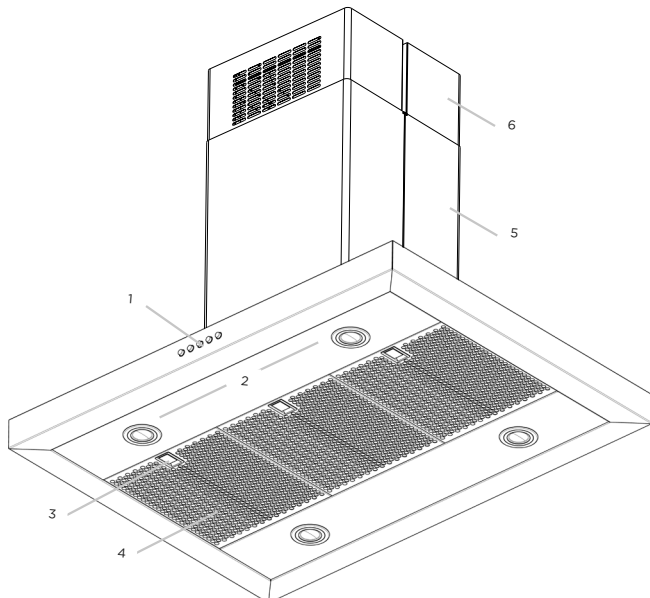
Le bouton Blower On/Off (2) permet d'activer ou de désactiver la soufflerie.

Les boutons de vitesse de la soufflante (3, 4 et 5) permettent de régler la vitesse souhaitée et de contrôler le niveau sonore pour un fonctionnement silencieux. La vitesse peut être modifiée à tout moment pendant le fonctionnement du ventilateur en appuyant sur le bouton de vitesse de soufflage souhaité.

1. Pour mettre le ventilateur en marche, appuyez sur la touche Blower On/Off (2) et sur la touche de vitesse souhaitée (3, 4 ou 5).
2. Pour arrêter le ventilateur, appuyez sur le bouton Blower On/Off (2).

N'importe lequel des 3 boutons de vitesse de la soufflerie peut être en position de marche en même temps. La soufflante fonctionnera à la vitesse la plus élevée qui est enfoncée. Pour réduire la vitesse de la soufflerie, il ne faut pas enfoncer les boutons de vitesse supérieure.

Description de la hotte



1. Contrôles du ventilateur et des lampes LED
2. Lampes LED
3. Poignée pour filtre à graisse
4. Filtres à graisse
5. Couvercle inférieur du conduit
6. Couvercle supérieur du conduit

Entretien

⚠ ATTENTION!

Avant toute opération de nettoyage ou d'entretien, débrancher la hotte du circuit électrique en enlevant la prise ou en coupant l'interrupteur général de l'habitation.

Nettoyage

Ne pas vaporiser de nettoyeurs directement sur le panneau de contrôle lors du nettoyage de la Hotte. La hotte doit être régulièrement nettoyée à l'intérieur et à l'extérieur (au moins à la même fréquence que pour l'entretien des filtres à graisse). Pour le nettoyage, utiliser un chiffon humidifié avec un détergent liquide neutre. Ne pas utiliser de produit contenant des abrasifs.

NE PAS UTILISER D'ALCOOL!

Surfaces extérieures:

Pour éviter d'endommager la surface extérieure, n'utilisez pas de laine d'acier ou de tampons à récurer remplis de savon. N'utilisez pas de nettoyeurs à base de chlore. Frottez dans le sens de la ligne de grain pour éviter de rayer la surface.

⚠ AVERTISSEMENT

Le non-respect des recommandations de nettoyage de base de la hotte et le remplacement des filtres peuvent entraîner des risques d'incendie.

Nous vous recommandons donc de respecter ces instructions.

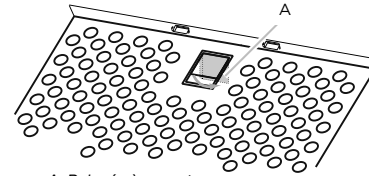
Le fabricant décline toute responsabilité en cas de dommages au moteur ou d'incendie liés à un entretien inapproprié ou au non-respect des recommandations de sécurité ci-dessus.

Filtre à graisse

Il retient les particules de graisse issues de la cuisson. Le filtre doit être nettoyé une fois par mois avec des détergents non agressifs, à la main ou dans le lave-vaisselle à faibles températures et cycle rapide.

Le lavage du filtre anti-graisse métallique au lave-vaisselle peut provoquer la décoloration. Toutefois, les caractéristiques de filtrage ne seront en aucun cas modifiées.

Pour démonter le filtre anti-graisse, tirer la poignée de décrochement à ressort.



A. Poignée à ressort

Remplacement de la lampe à DEL

Les lumières DEL sont remplaçables par un technicien de service seulement. Voir les informations de contact de service: "Qui contacter".

Vous éprouvez des difficultés à assembler
ce produit? parties manquantes?

NE PAS RETOURNER AU MAGASIN!

Call Service Power

1-888-732-8018

7 a.m. - 4 p.m. (heure du Pacifique), Lundi - Vendredi

ou écrire à: elica@servicepower.com

(inclure le nom de contact, modèle, Numéro de série, billet d'achat et le meilleur moment de vous contacter)

**pour toutes les pièces de rechange et des
questions que vous pourriez avoir sur ce produit!**

SERVICE*Power*
Service Made Simple

1503 South Coast Drive #320 Costa Mesa, CA 92626

IMPORTANT: Enregistrer l'emballage d'origine si le retour est nécessaire.

GARANTIE

**POUR OBTENIR UN DEPANNAGE SOUS GARANTIE:
ou des questions concernant les services, composez le:
1-888-732-8018**

Agrafez votre reçu ici.
Preuve de la date d'achat originale est
nécessaire pour obtenir le service sous
garantie.

POUR OBTENIR UN DEPANNAGE SOUS GARANTIE: Le propriétaire doit présenter une preuve de la date d'achat. Garder une copie de votre preuve d'achat datée (ticket de caisse) de façon à pouvoir bénéficier du service après-vente sous garantie.

Garantie pieces de rechange et main d'oeuvre:

Pour la période d'un an à compter de la date de l'achat d'origine, nous vous fournirons gratuitement, des pièces ou des composants qui ont échoué en raison de défauts de fabrication non consommables. Au cours de cette garantie limitée d'un an, nous allons également fournir, gratuitement, tout le travail et le service à domicile pour remplacer la pièce défectueuse.

Pendant une période de un (1) ans à partir de la date d'achat, nous fournirons gratuitement les pièces de rechange ou les composants autres que les recharges ayant des défauts de fabrication.

Durant cette garantie de un (1) ans, nous vous fournirons également gratuitement, toute la main d'oeuvre et le service à domicile pour remplacer d'éventuelles pièces défectueuses.

Ce que la garantie ne couvre pas:

- Dégât ou panne du produit causé par un accident ou un cas de force majeure tels que inondation, incendie ou tremblement de terre.
- Les dommages causés après l'accouchement.
- Dégât ou panne du produit causé par un remplacement des fusibles ou une remise en fonction des disjoncteurs par le propriétaire.
- Déplacement à domicile pour explication d'utilisation ou d'entretien.
- Ampoules, filtres métalliques ou au charbon et toute autre pièce consommable.
- Usure due à une mauvaise utilisation du propriétaire, un entretien incorrect, une utilisation de substances nettoyantes corrosives ou abrasives et produits de nettoyage pour four.

Cette garantie sera annulée lorsque:

- Produit endommagé suite à une mauvaise installation et le non-respect des instructions d'installation, la livraison ou l'entretien.
- Dommage direct ou indirect causé par des défauts possibles avec cet appareil.
- Altération ou modification du produit qui peut causer des dommages au produit, ou le défaut de fonctionner conformément aux spécifications.
- Dommages à cause de mauvaise connexion avec des équipements d'autres fabricants.
- Une panne du produit si elle est la négligence, abusé, ou utilisé pour autre chose que le but recherché ou utilisé commercialement.
- Une mauvaise réparation, la modification ou l'entretien du Produit par des tiers autres que les Mandataires Autorisés.

Qui est Couvert:

Cette garantie s'étend à l'acheteur original de produits achetés pour un usage domestique habituel en le 48 États Américains, Hawaii, Washington D.C. Alaska, Guam, Puerto Rico and et Virgin Islands.

Cette garantie n'est pas transférable et vaut uniquement pour l'acheteur original et ne s'étend pas aux propriétaires successifs du produit. Cette garantie vaut expressément en lieu et place de toute autre garantie, expresse ou sous-entendue, mais ne limite pas toute autre garantie sous-entendue de marchandage ou adaptation dans un but particulier et toute autre obligation de la part de Elicamex, étant entendu, cependant, que si la réclamation pour garanties sous-entendues n'est pas applicable aux yeux de la loi en vigueur, la durée de toute garantie sous-entendue émanant de la loi doit être limitée à un (1) ans à partir de la date d'achat du produit ou à une période plus longue selon ce que dit la loi en vigueur.

Qui Contacter

Pour obtenir un Service Après-vente durant la Garantie ou pour toute autre Question liée au Service Après-vente, visitez la section de support sur le site ci-dessous:

www.elica.com

Demandez à votre preuve de la date d'achat, prêt pour les questions de garantie.

Tabla de Contenidos

Herramientas y partes	29
Dimensiones	30
Requisitos eléctricos	30
Métodos de ventilación	31
Instrucciones de instalación	32
Instalación de la campana	32
Conexión eléctrica	34
Complete la instalación	35
Descripción de la campana	36
Control	37
Mantenimiento	37
GARANTÍA	39

**APROBADO PARA APARATOS DE USO DOMÉSTICO
SÓLO PARA USO DOMÉSTICO**

LEA Y GUARDE ESTAS INSTRUCCIONES

**ANTES DE CONTINUAR, LEA LAS INSTRUCCIONES POR
COMPLETO.**

**LA INSTALACIÓN DEBE CUMPLIR CON TODA LA
NORMATIVA LOCAL.**

IMPORTANTE: Guarde estas instrucciones para su uso por parte del inspector de electricidad local.

INSTALADOR: Entregue al propietario estas instrucciones con la unidad.

PROPIETARIO: Conserve estas instrucciones para futuras consultas.

Advertencia de Seguridad: Antes de realizar el cableado de este aparato, desactive el circuito de energía eléctrica en el panel de servicio y desbloquee el panel.

Requisito: Circuito Auxiliar de R120 VAC, 60 Hz. 15 ó 20 A

INSTRUCCIONES IMPORTANTES DE SEGURIDAD

ADVERTENCIA: PARA REDUCIR EL RIESGO DE INCENDIOS, CHOQUE ELÉCTRICO O LESIONES A PERSONAS, OBSERVE LO SIGUIENTE:

- Use esta unidad sólo de la manera para la que fue diseñada por el fabricante. Si tiene preguntas, póngase en contacto con el fabricante.
- Antes de dar servicio o limpiar la unidad, apague el suministro de energía en el panel de servicio y bloquee los medios de desconexión del servicio para evitar que se encienda accidentalmente el suministro de energía. Cuando el medio de desconexión del servicio no se pueda bloquear, sujete de manera segura un dispositivo de advertencia prominente, como podría ser una etiqueta, al panel de servicio.
- La instalación y el cableado se debe llevar a cabo por una persona(s) calificada(s), de acuerdo con los códigos y estándares aplicables, incluida la construcción ignífuga.
- Es necesaria una ventilación suficiente para la correcta combustión y expulsión de gases por la salida de humos (chimenea) del equipo de combustión de carburante para evitar el contratiro. Siga las directrices de fabricantes de equipos de calefacción y los estándares de seguridad como los publicados por la National Fire Protection Association (NFPA), American Society for Heating, Refrigeration and Air Conditioning Engineers (ASHRAE) y las normativas locales.
- Al efectuar orificios en una pared o techo, no dañe el cableado eléctrico y otras instalaciones ocultas.
- Los conductos deben tener ventilación con salida al exterior.

CUIDADO: Para usarse sólo en ventilación común. No lo use para ventilar materiales y vapores peligrosos o explosivos.

CUIDADO: Para reducir el riesgo de incendio y para ventilar el aire adecuadamente, asegúrese de dirigir el conducto de ventilación hacia el exterior - no ventile el aire de salida a espacios dentro de paredes o techos, áticos, espacios angostos o garajes.

ADVERTENCIA: PARA REDUCIR EL RIESGO DE INCENDIO, SÓLO USE CONDUCTOS METÁLICOS.

ADVERTENCIA: No accione ningún motor o ventilador con el cable de conexión dañado. Deseche o regrese el dispositivo al servicio autorizado para ser examinado o reparado.

ADVERTENCIA: PARA REDUCIR EL RIESGO DE INCENDIO PROVOCADO POR GRASA EN LA SUPERFICIE DE LA ESTUFA:

- Nunca deje las unidades de superficie sin vigilancia cuando estén en ajustes altos. La cocción puede causar humo o reboses de grasa que pueden prender fuego. Caliente el aceite a fuego lento o medio.
- Siempre ENCIENDA la campana cuando cocine con calor alto o cuando flamee alimentos (por ejemplo, crepes Suzette, cerezas Jubileo y flameado de carne de res con pimienta).
- Limpie los ventiladores con frecuencia. No permita que la grasa se acumule en el ventilador o en el filtro.
- Use un tamaño de sartén adecuado. Siempre use utensilios de cocción que sean los adecuados para el tamaño del elemento de la superficie.

ADVERTENCIA: PARA REDUCIR EL RIESGO DE LESIONES A PERSONAS SI SE PRENDE FUEGO EN LA SUPERFICIE DE LA ESTUFA OCASIONADO POR GRASA, OBSERVE LO SIGUIENTE:^a

- EXTINGA LAS LLAMAS con una tapa que encaje bien, una bandeja para galletas o una bandeja metálica y luego apague el quemador. TENGA CUIDADO PARA EVITAR QUEMADURAS. Si las llamas no se extinguen de inmediato, EVACUE Y LLAME AL DEPARTAMENTO DE BOMBEROS.
- NUNCA TOME UNA CACEROLA QUE ESTÉ ARDIENDO - podría quemarse.
- NO UTILICE AGUA, incluyendo paños para vajilla o toallas mojadas - podría ocurrir una explosión de vapor violenta.
- SÓLO use un extinguidor si:
 - Sabe a ciencia cierta que tiene un extinguidor de clase ABC y ya sabe cómo utilizarlo.
 - El incendio es pequeño y se encuentra contenido en el lugar en donde se inició.
 - Ha llamado al departamento de bomberos.
 - Puede apagar el fuego con su espalda mirando hacia una salida.

^aBasado en "Consejos de seguridad para fuegos de cocina" publicado por NFPA.

ADVERTENCIA: A fin de reducir el riesgo de incendio o de choque eléctrico, no use este ventilador con ningún dispositivo semiconductor para el control de la velocidad.

LEA Y GUARDE ESTAS INSTRUCCIONES

Herramientas y partes

Partes proveídas

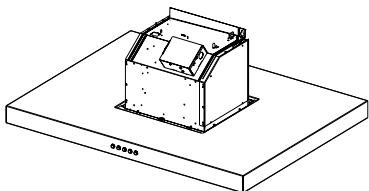






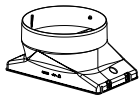
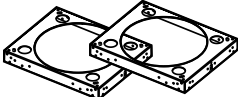
Removiendo el empaque

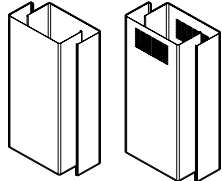


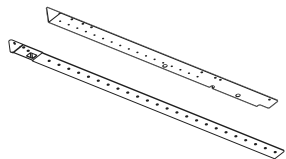

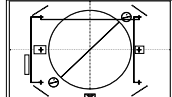
⚠ PRECAUCIÓN

Quite la caja cuidadosamente, use guantes para protegerse contra los bordes afilados.

⚠ ADVERTENCIA

Quite la película de protección que cubre el producto antes de ponerlo en funcionamiento.

Pieza	Cant.
 Campana con lámparas LED previamente instaladas	1
 5x45 mm	4
 4.2x8 mm	60
 3.5x9.5 mm	2
 3.5x6.5 mm	4
 2.9x3 mm	2
 Tornillos niveladores	2
 Transición redonda de 6"	1
 Soportes horizontales	2

Pieza	Cant.
 Cubiertas superiores e inferiores del ducto	Superior: 2 Inferior: 2
 8x40 mm	4
 Soportes de la cubierta del conducto	4
 Soportes verticales	Superior: 4 Inferior: 4
 Adaptador Torx	#10: 1 #20: 1
 Plantilla de montaje	1

Partes no proveídas

Herramientas/Materiales requeridos

- Tapones de cable
- Cinta para montar la plantilla
- Conducto redondo de 6" (15.2 cm)
- Cinta Métrica
- Cutter
- Pinzas para cortar y pelar cable
- Nivel
- Alicates
- Cinta de aislar
- Lentes de seguridad
- Masking tape
- Martillo

- Destornillador phillips
- Tapones para cable
- Taladro con brocas: 5/16" y 3/8"
- Guantes de protección
- Retén de cable
- Caladora o Taladro

Piezas necesarias

- Cable de alimentación doméstico
- Alivio de tensión de 1/2" (12,7 mm) aprobado por UL o CSA
- 3 conectores de cable homologados por UL

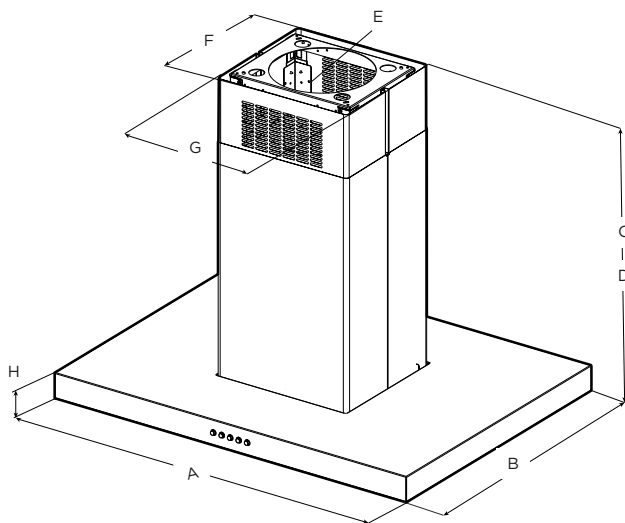
Para las instalaciones con ventilación, también necesitará

- 1 tapa de pared o de techo
- Sistema de ventilación metálico

Optional Accessories

KIT	# Part
Kit Recirculante	KIT01938
Kit de Extensión de Chimenea	KIT0100317
Kit de Válvula de no Retorno de 6"	KIT0102873
Kit de Reducción de CFM	KIT02748

Dimensiones



	Modelo
	AMT636SSA
A	36" (91.4 cm)
B	27 $\frac{1}{8}$ " (68.9 cm)
C*	Min: 29 $\frac{3}{16}$ " (75.7 cm) Max: 50 $\frac{1}{8}$ " (126 cm)
D**	Min: 29 $\frac{3}{16}$ " (75.7 cm) Max: 44 $\frac{7}{8}$ " (114 cm)
E	6" (15.9 cm)
F	12" (30.4 cm)
G	13" (33.24 cm)
H	2 $\frac{3}{8}$ " (6 cm)

* Ductless (Recirculating) version
** Ducted version

Requisitos eléctricos

IMPORTANTE

Cumpla todas las normativas y ordenanzas gubernamentales.

Es responsabilidad del cliente:

- Ponerse en contacto con un instalador eléctrico cualificado.
- Asegurarse de que la instalación eléctrica es adecuada y en conformidad con National Electrical Code, ANSI/NFPA 70 (última edición*) o CSA Standards C22.1-94, Canadian Electrical Code, Parte 1 y C22.2 No.0-M91 (última edición*) y toda la normativa y las ordenanzas locales.
- Si la normativa lo permite y se utiliza un cable de toma a tierra independiente, se recomienda que un electricista cualificado determine si la difracción de onda de tierra es la adecuada.
- No ubique la toma a tierra en una tubería de gas.
- Si no está seguro de que la campana está correctamente conectada a tierra, consulte a un electricista cualificado.
- No coloque ningún fusible en el circuito neutral o con vuelta por tierra.

IMPORTANTE

- Guarde las instrucciones de instalación para su uso por parte del inspector de electricidad.
- La campana debe estar conectada únicamente con hilo de cobre.
- La campana debe estar conectada directamente al desconectador con fusible (o disyuntor) mediante canal metálico de cables eléctricos.
- Los tamaños de cable deben cumplir los requisitos de la National Electrical Code, ANSI/NFPA 70 (última edición*) o CSA Standards C22.1-94, Canadian Electrical Code, Parte 1 y C22.2 No.0-M91 (última edición*) y toda la normativa y las ordenanzas locales.
- Es preciso colocar un conector de canal de cables enumerado en U.L. o C.S.A. en cada extremo del canal de cables de fuente de alimentación (en la campana y en la caja de conexiones).

Se pueden obtener copias de los estándares enumerados en:

* National Fire Protection Association Batterymarch Park Quincy, Massachusetts 02269

** CSA International 8501 East Pleasant Valley Road Cleveland, Ohio 44131-5575

ANTES DE INSTALAR LA CAMPANA

1. Para obtener una circulación del flujo de aire más eficaz, utilice un tubo de tramo recto o el menor número posible de tubos acodados.

PRECAUCIÓN: el conducto de ventilación solamente debe tener salida hacia la parte exterior del edificio.

2. Para realizar la instalación, se necesitan al menos dos personas.
3. La campana se ajusta mediante material adecuados para la mayoría de superficies; consulte a un instalador cualificado para comprobar si quedan perfectamente ajustados al armario o a la pared.
4. No emplee tubos flexibles.
5. Las instalaciones en CONDICIONES CLIMÁTICAS FRÍAS deben tener instalado un regulador de contratiro adicional para minimizar el flujo de aire inverso y una rotura térmica no metálica para minimizar la conducción de temperaturas externas como parte de los tubos. El regulador debe de encontrarse en la parte de aire frío de la rotura térmica.

La rotura debe estar lo más cerca posible al lugar donde los tubos entran en la parte caliente de la casa.

6. Aire limpio: Las normativas locales para edificios pueden requerir el uso de sistemas de aire limpio cuando se utilizan sistemas de ventilación mediante tubos superiores al CFM especificado de movimiento de aire.

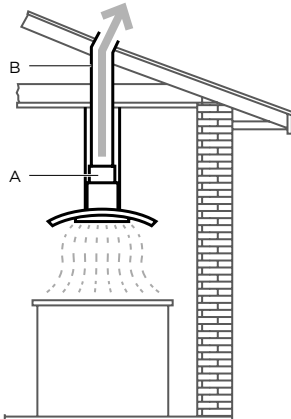
Métodos de ventilación

Siga detenidamente las instrucciones expuestas en este manual.

Se declina toda responsabilidad de cualquier inconveniencia, daños o incendios eventuales ocasionados por el incumplimiento de las instrucciones de este manual.

Versión con salida al exterior

La campana está equipada con una transición redonda de 6" (15.2 cm) para descargar gases y vapor procedentes de la cocina al exterior.



A. Transición redonda de 6" (15.2 cm)
B. Ducto de escape redondo de 6" (15.2 cm)

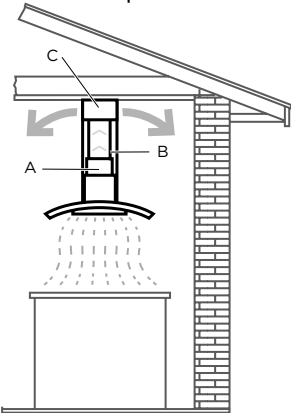
Versión sin salida al exterior (recirculante)

En caso de que no sea posible la descarga de gases y del vapor procedentes de la cocina al exterior, la campana se puede utilizar en la versión sin tubos

(Recirculación).

Coloque un filtro de carbono activado y el deflector en el soporte de sujeción de la cubierta de tubo. Los gases y vapores se reciclan a través de la rejilla superior mediante un conducto conectado al cambio de sección y el cambio de sección montado en el deflector.

Vea la sección de accesorios opcionales.



A. Transición redonda de 6" (15.2 cm)
B. Ducto de escape redondo de 6" (15.2 cm)
C. Deflector

El CFM especificado varía de una zona a otra. Para conocer los requisitos específicos de su zona, consulte a un profesional de HVAC.

Preparación

No corte una vigueta o un perno a menos que sea absolutamente necesario. Si fuera necesario efectuar el corte, deberá construirse un marco de soporte.

Se suministra el material de ajuste necesario para fijar la campana a la mayoría de tipos de muro o techo.

No obstante, un técnico cualificado debe comprobar la idoneidad de los materiales de acuerdo con el tipo de muro o techo.

Antes de efectuar algún corte, asegúrese de que existe el espacio libre adecuado en el techo o muro para la expulsión del aire.

Altura de instalación recomendada:

La altura de instalación de la campana sobre la placa de cocción es la que prefiera el usuario.

Cuanto más baja esté la campana por encima de la placa de cocción, más eficiente será la captura de los olores de la cocina, la grasa y el humo.

⚠ PRECAUCIÓN

Para la instalación de estufas de gas: instale esta campana de tal manera que la cornisa inferior se encuentre a 30" (76.2 cm) sobre la superficie de cocción.

Para la instalación de estufas eléctricas/inducción: instale esta campana de tal manera que la cornisa inferior se encuentre a no menos de 24" (61 cm) sobre la superficie de cocción.

No hay una altura máxima de instalación, sin embargo, se recomienda no instalar esta campana a más de 36" (91.4 cm) sobre la superficie de cocción. Por cada pulgada (2.54 cm) superior a 36" (91.4 cm), disminuirá la eficiencia en la captura de humo y humedad, así como el desempeño de ventilación.

Para uso doméstico.

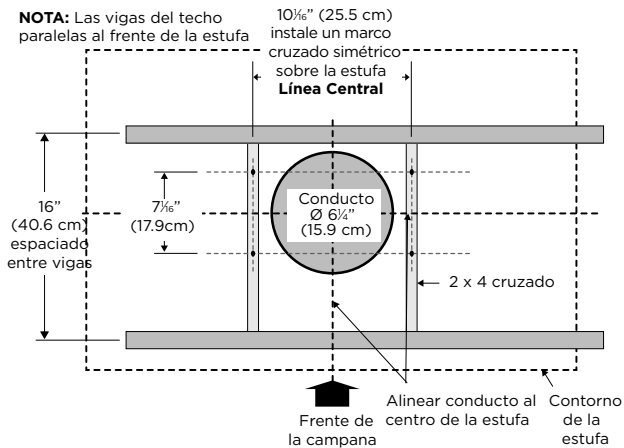
POR FAVOR, LEA EL MANUAL DE INSTALACIÓN PARA UNA INSTALACIÓN ESPECÍFICA. Antes de seleccionar la campana, compruebe la altura del techo y la altura máxima de la campana.

Instrucciones de instalación Instalación de la campana

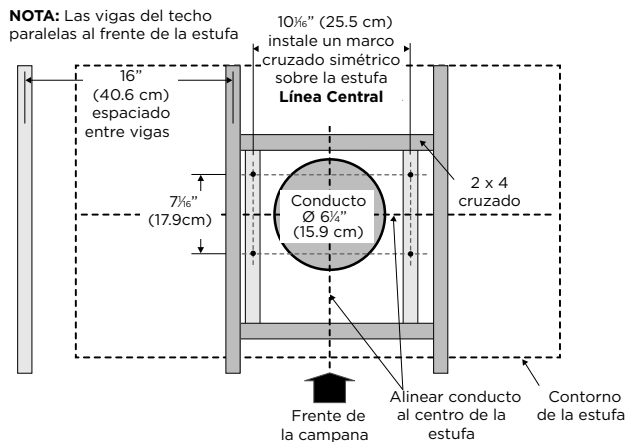
Estructuras de soporte al techo

- Esta campana es pesada. Se debe proporcionar una estructura y soporte adecuado en todos los tipos de instalación.
- En la posición de la campana, instale un marco transversal de 2"x 4" entre las viguetas del techo como se muestra (se requieren de 2"x 4" para soportar el peso de la campana).
- Inserte un armazón cruzado que se ajuste a la estructura existente.
- Las viguetas de su techo son como alguno de los siguientes ejemplos:

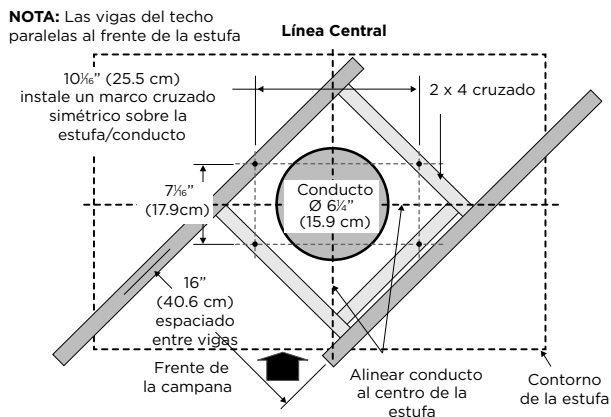
Ejemplo A



Ejemplo B

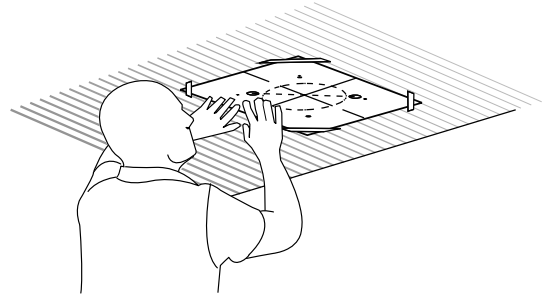


Ejemplo C

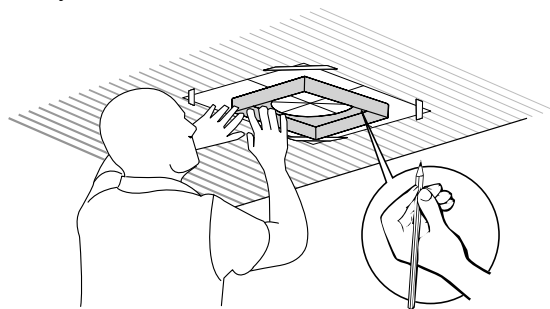


1. Coloque la plantilla en el techo considerando las instrucciones para las estructuras de soporte.

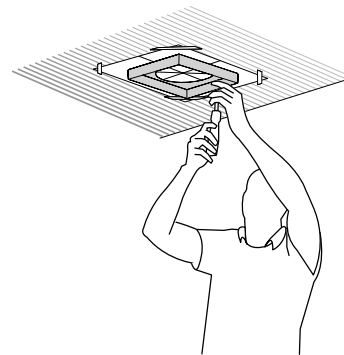
NOTA: Siempre considere la leyenda del frente de la campana cuando coloque la plantilla en el techo. Esto define la ubicación del control.



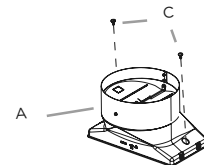
2. Marque con un lápiz la ubicación de los orificios para los tornillos y el conducto en el techo.



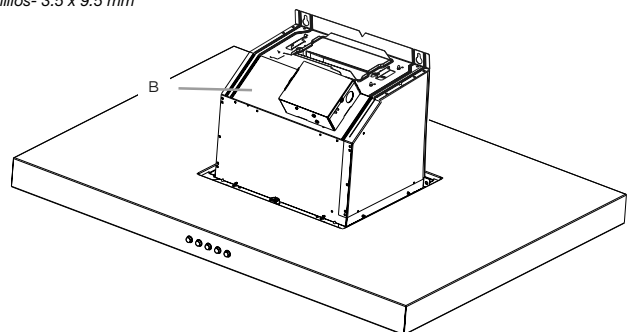
3. Remueva la plantilla de montaje
4. Fije el soporte horizontal superior con 4 tornillos - 5 x 45 mm.



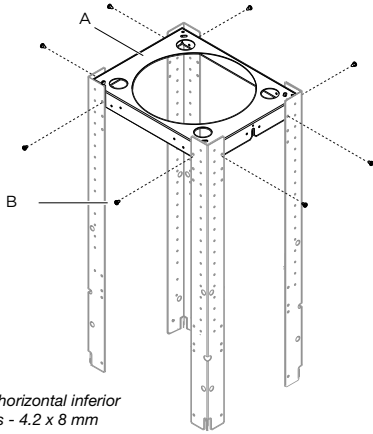
5. Remove mounting template
6. Instale la transición redonda de 6" (15.2 cm) con 2 tornillos - 3.5 x 9.5 mm.



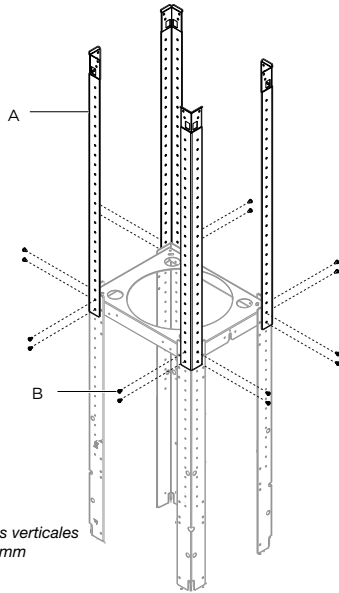
- A. Transición redonda de 6"
B. Ensamble de la campana
C. 2 tornillos- 3.5 x 9.5 mm



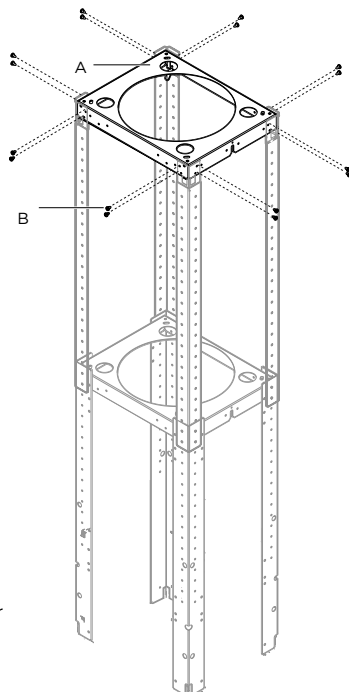
7. Instale el soporte horizontal inferior con 8 tornillos - 4.2 x 8 mm.



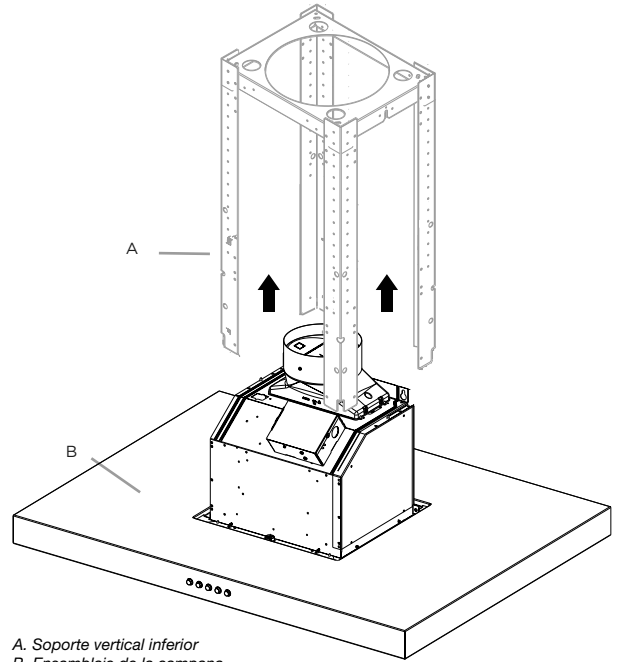
8. Instale los 4 soportes verticales con 16 tornillos - 4.2 x 8 mm.



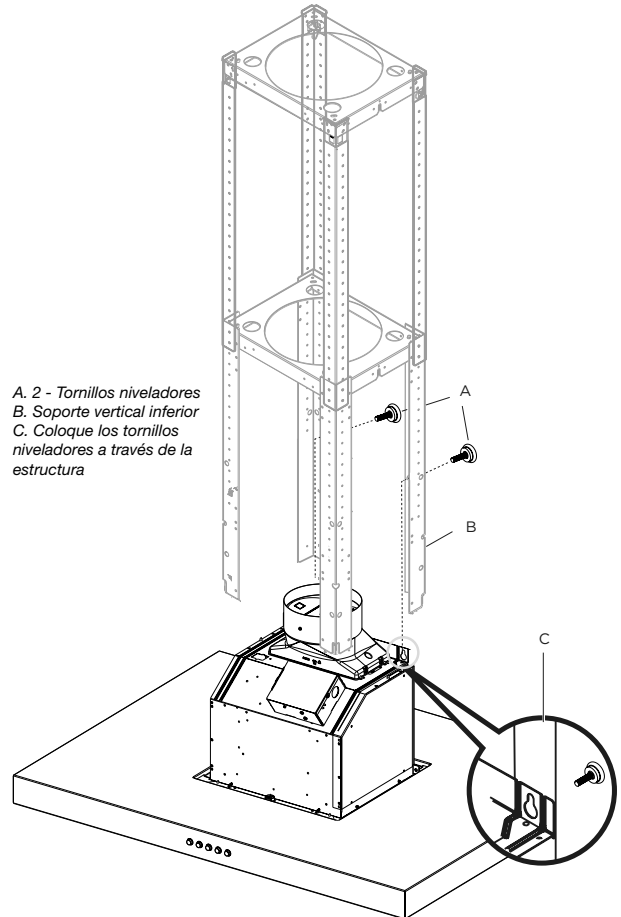
9. Instale la estructura al soporte horizontal superior con 16 tornillos - 4.2 x 8 mm.



10. Usando 2 ó más personas, levante el ensamblaje de la campana y coloquelo debajo de la estructura.

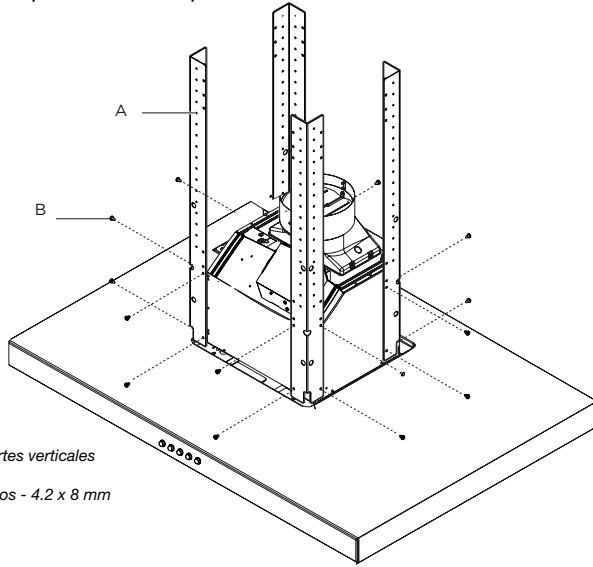


11. Fije el ensamblaje de la campana al los soportes verticales inferiores con 2 tornillos niveladores.



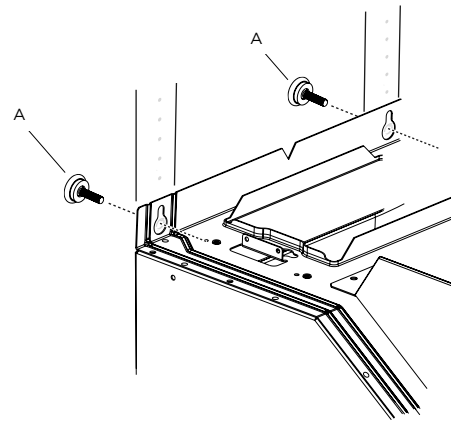
12. Instale los 4 soportes verticales con 16 tornillos- 4.2 x 8 mm.

Revise que todo esté apretado correctamente.



A. 4 - soportes verticales inferiores
B. 16 tornillos - 4.2 x 8 mm

13. Remueva los 2 tornillos niveladores de la estructura.



A. 2 - Tornillos niveladores

Conexión eléctrica

⚠ ADVERTENCIA

PELIGRO DE DESCARGA ELÉCTRICA.

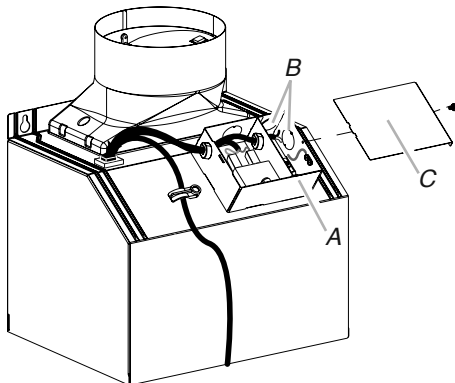
⚠ ADVERTENCIA

DESCONECTE LA ALIMENTACIÓN ANTES DE REALIZAR EL MANTENIMIENTO.

SUSTITUYA TODAS LAS PIEZAS Y PANELES ANTES DE PONERLO EN FUNCIONAMIENTO.

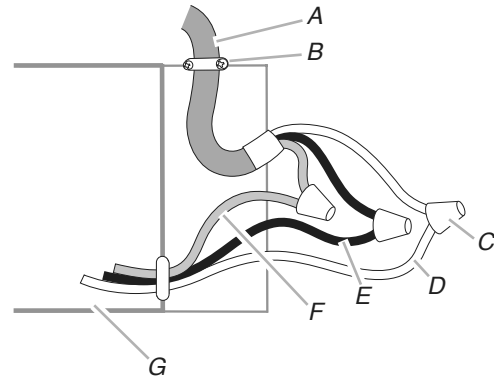
NO HACERLO PUEDE PROVOCAR LA MUERTE O UNA DESCARGA ELÉCTRICA.

1. Desconecte la alimentación.
2. Retire la tapa de la caja de terminales.
3. Retire el orificio ciego de la tapa de la caja de terminales e instale un alivio de tensión de 1/2" aprobado por UL o CSA.



B. Caja de conexiones
C. Orificio ciego
D. Tapa de la caja de conexiones

4. Pase el cable de alimentación de la casa a través del alivio de tensión, en la caja de terminales.



A. Cable de alimentación para el hogar
B. Alivio de tensión aprobado por UL o CSA
C. Conectores de cable con certificación UL
D. Cables blancos
E. Cables negros
F. Cables verdes (o desnudos) y amarillo-verde de tierra
G. Caja de conexiones

5. Utilice conectores de cable homologados por UL y conecte los cables negros (C) entre sí.
6. Utilice conectores de cable homologados por UL y conecte los cables blancos (E) entre sí.

⚠ ADVERTENCIA

PELIGRO DE DESCARGA ELÉCTRICA.

⚠ ADVERTENCIA

CONECTE EL SOPLADOR A TIERRA ELÉCTRICAMENTE.

CONECTE EL CABLE DE TIERRA VERDE Y AMARILLO DE LA CAJA DE CONEXIONES. NO HACERLO PUEDE PROVOCAR LA MUERTE O UNA DESCARGA ELÉCTRICA.

CONECTE EL CABLE DE TIERRA VERDE (O DESNUDO) DE LA FUENTE DE ALIMENTACIÓN DE LA CASA AL CABLE DE TIERRA AMARILLO-VERDE (F) EN LA CAJA DE CONEXIONES UTILIZANDO CONECTORES DE CABLE HOMOLOGADOS POR UL.

7. Conecte el cable de tierra verde (o desnudo) de la fuente de alimentación doméstica al cable de tierra amarillo-verde (F) de la caja de conexiones utilizando conectores de cable homologados por UL.

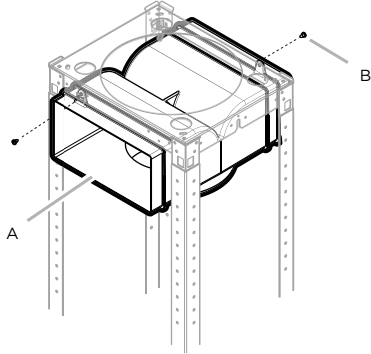
Complete la instalación

SOLAMENTE PARA VERSIÓN RECIRCULANTE

(Usando Kit Recirculante modelo KIT01938)

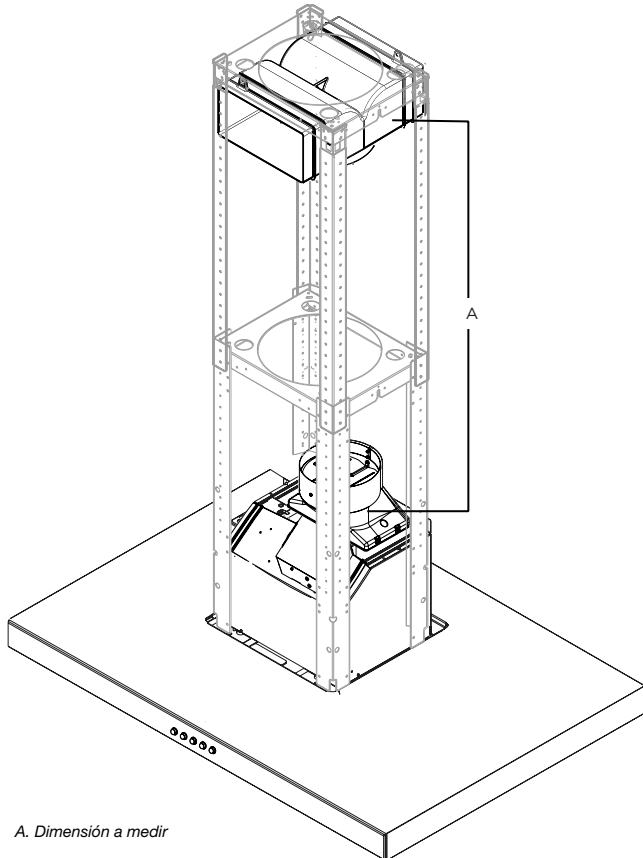
Instalación del deflector

- Monte el deflector de aire con el soporte horizontal superior con 2 tornillos de montaje provistos.



A. Deflector
B. Tornillos de montaje

- Mida desde la parte inferior del deflector de aire hasta la parte inferior del escape de la campana, así como se muestra en el siguiente diagrama.

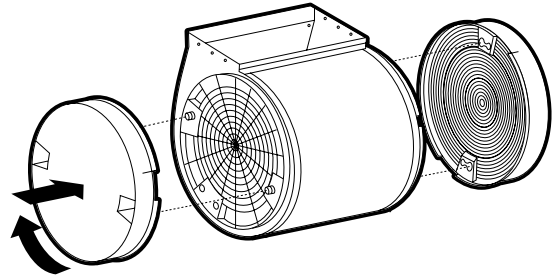


A. Dimensión a medir

- Corte el conducto según el tamaño medido.
- Hunda el conducto en el fondo del deflector.
- Coloque la cubierta del conducto, por encima de la salida de escape desde la campana.

8. Apriete el tornillo de alivio de tensión.
9. Instale la tapa de la caja de conexiones.
10. Vuelva a conectar la corriente.

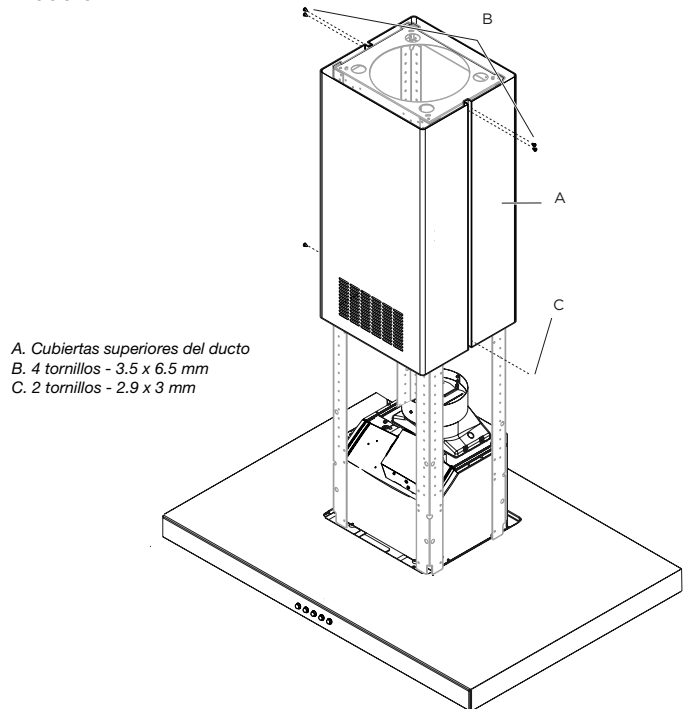
- Use la cinta para conductos, para sellar el colector a la salida de escape desde la campana.
- Retire la película protectora de la campana.
- Los filtros de carbón deben sujetarse al motor como se muestra en el diagrama.



Instalación de las cubiertas del ducto (versión con y sin ducto de escape)

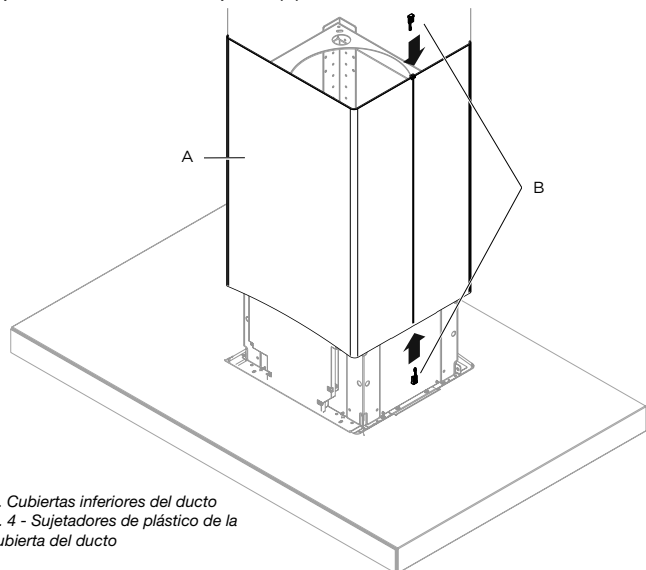
- Fije las cubiertas del conducto superior usando 6 tornillos.

NOTA: Para las instalaciones sin ducto de escape (con recirculación), los orificios con ranuras en las cubiertas superiores del ducto serán visibles cuando se los ensamble. Para las instalaciones con ducto de escape, los orificios con ranuras estarán ocultos dentro de las cubiertas inferiores del ducto.



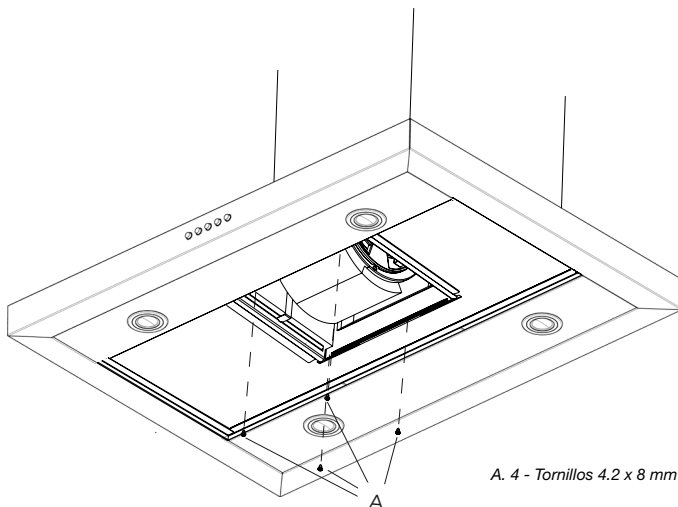
A. Cubiertas superiores del ducto
B. 4 tornillos - 3.5 x 6.5 mm
C. 2 tornillos - 2.9 x 3 mm

- Coloque las cubiertas del conducto inferior usando un soporte plástico en cada esquina (4).



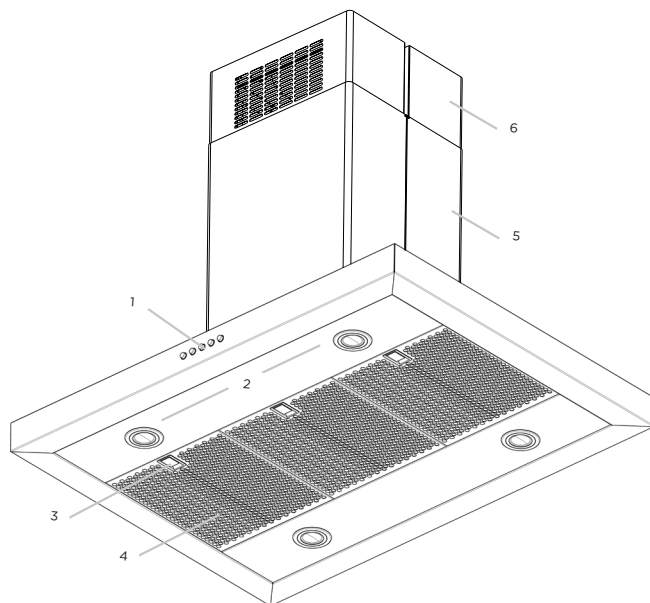
A. Cubiertas inferiores del ducto
B. 4 - Sujetadores de plástico de la cubierta del ducto

- Asegure la cubierta inferior del ducto a la campana de cocina con escudete utilizando 4 tornillos de 4.2 x 8 mm.



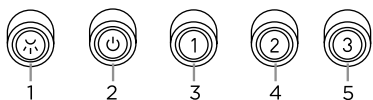
A. 4 - Tornillos 4.2 x 8 mm

Descripción de la campana



1. Controles del motor y de las lámparas LED
2. Lámparas LED
3. Asa del filtro de grasa
4. Filtros de grasa
5. Cubierta del conducto inferior
6. Cubierta del conducto superior

Control



1. Botón de encendido/apagado de la luz
2. Botón de encendido/apagado del motor
3. Botón de velocidad mínima del motor
4. Botón de velocidad media del motor
5. Botón de velocidad máxima del motor

NOTA: Los botones de control se iluminan cuando la campana extractora está encendida.

Funcionamiento de la luz

El botón de encendido/apagado de la luz (1) controla ambas luces. Pulse una vez para encenderla y otra para apagarla.

Funcionamiento del motor

El botón de Encendido/Apagado del soplador (2) enciende o

apaga el soplador.

Los botones de velocidad del motor (3, 4 y 5) ajustan la velocidad deseada y controlan el nivel de sonido para un funcionamiento silencioso. La velocidad puede cambiarse en cualquier momento durante el funcionamiento del ventilador pulsando el botón de velocidad del motor deseado.

1. Para encender el motor, pulse el botón de encendido/apagado del ventilador (2) y el botón de velocidad deseado (3, 4 o 5).
2. Para apagar el motor, pulse el botón de encendido/apagado del ventilador (2).

Cualquiera de los 3 botones de velocidad del motor puede estar en la posición de encendido al mismo tiempo. El motor funcionará a la velocidad más alta que se haya pulsado. Para velocidades más bajas del motor, los botones de velocidad más altos no deben ser presionados.

Mantenimiento

⚠ ATENCIÓN

Antes de cualquier operación de limpieza o mantenimiento, retire la campana de la red eléctrica desconectando el enchufe o desconectando el interruptor general de la casa.

Limpieza

No aplique limpiadores directamente al control durante la limpieza de la campana.

La campana debe ser limpiada con frecuencia tanto externamente como internamente (con la misma frecuencia con la que se realiza el mantenimiento de los filtros de grasa). Para la limpieza, utilice un paño impregnado de detergente líquido neutro. No utilice productos que contengan abrasivos.

¡NO UTILICE ALCOHOL!

Superficies exteriores:

Para evitar daños en la superficie exterior, no utilice estropajos de acero o jabón. No utilice limpiadores a base de cloro. Frote en la dirección de la línea de las vetas para evitar rayar la superficie.

⚠ ADVERTENCIA

El incumplimiento de las recomendaciones básicas de limpieza de la campana extractora y la sustitución de los filtros puede provocar riesgos de incendio.

Por lo tanto, se recomienda cumplir con estas instrucciones.

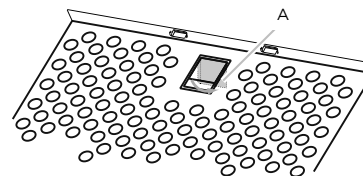
El fabricante declina toda responsabilidad por cualquier daño en el motor o por cualquier incendio relacionado con un mantenimiento inadecuado o con la inobservancia de las recomendaciones de seguridad mencionadas

Filtro contra la Grasa

Retiene las partículas de grasa producidas cuando se cocina. Debe limpiarse una vez al mes con detergentes no agresivos, manualmente o bien en lavavajillas a bajas temperaturas y con ciclo breve.

Con el lavado en el lavavajilla el filtro antigrasa metálico puede desteñirse pero sus características de filtrado no cambian absolutamente.

Para desmontar el filtro antigrasa, tirar de la manija de desenganche de muelle.



A. Manija de desenganche

Reemplazo de las lámparas LED

Las luces LED son reemplazables sólo por un técnico de servicio. Vea la sección "A quién contactar" para la información de contacto del servicio.

¿Tiene problemas con el montaje de su producto? ¿Faltan piezas?

¡NO LO REGRESE A LA TIENDA!

Call Service Power

1-888-732-8018

entre las 7 a.m. y las 4 p.m. (Horario del Pacífico), Lunes - Viernes

o escriba a: elica@servicepower.com

(incluya un nombre de contacto, modelo, número serial, ticket de compra y la hora en la que preferiría que se le contacte)

¡para todas las piezas de reemplazo y cualquier duda que tenga acerca de este producto!

SERVICE*Power*
Service Made Simple

1503 South Coast Drive #320 Costa Mesa, CA 92626

IMPORTANTE: Guarde el empaque original en caso de que sea necesario el retorno del producto.

GARANTÍA

OBTENER SERVICIOS BAJO GARANTÍA:
O cualquier Pregunta Relacionada con los
Servicios, por favor, llame: 1-888-732-8018

Engrape su recibo aquí.
Como demostración de la adquisición, es
necesaria la fecha, para cualquier servicio
bajo garantía.

OBTENER SERVICIOS BAJO GARANTÍA: Usted debe presentar una prueba de la fecha original de adquisición. Conserve una copia de su nota de compras con fecha, para obtener servicios bajo garantía.

Garantía de componentes y servicio:

Por un periodo de un año desde la fecha original de compra, ofreceremos sin costo alguno, el reemplazo de piezas no consumibles o componentes que han fallado debido a defectos de fabricación. Durante este año de garantía limitada, también ofreceremos sin costo alguno, la mano de obra y el servicio en su domicilio para reemplazar la parte defectuosa.

Lo que no cubre:

- Daños a la campana ocasionados por inundaciones, actos de Dios, fuego y accidentes.
- Daños causados después de la entrega.
- Reemplazo de fusibles o el reajuste de la caja de contactos del circuito eléctrico.
- Viajes de servicio a su domicilio para enseñarle a usar o instalar el producto.
- Lámparas, filtros de grasa, filtros de carbón y otras partes consumibles.
- El desgaste natural del acabado, así como el desgaste ocasionado por el mantenimiento inadecuado, el uso de productos para limpieza corrosivos y abrasivos, y otros limpiadores para hornos.

Esta Garantía será anulada cuando:

- El producto ha sido dañado debido a una instalación inadecuada y no haber seguido las instrucciones para su instalación, traslado o mantenimiento.
- Daños Incidentales o de consecuencia causados por posibles defectos de este electrodoméstico.
- Daños por alteración o modificación, al producto que puedan causar fallas en la operación de acuerdo con las especificaciones funcionales.
- Daños debidos a conexiones inapropiadas con equipos de otros fabricantes.
- Daños al producto por ser usado con negligencia, abuso, uso indebido o utilizado para otros propósitos al cual fue fabricado, o bien uso comercial.
- Reparaciones, modificaciones o servicios inadecuados realizados al producto por agentes no autorizado

Quién está cubierto:

Esta garantía se extiende al comprador original para productos comprados para uso doméstico en los 48 estados principales de los Estados Unidos de América, Hawaii, Washington D.C., Alaska, Guam, Puerto Rico y las Islas Vírgenes.

Esta garantía es intransferible y aplica solamente para el comprador original y no se extiende a los propietarios subsecuentes de este producto. La presente garantía sustituye expresamente cualquier otra garantía, ya sea expresa o implícita, incluyendo, sin limitar, todas las garantías implícitas de comerciabilidad o idoneidad para un fin concreto, así como todas las demás obligaciones a cargo de Elicamex. Sin embargo, en caso de que la renuncia a las garantías implícitas resultara inaplicable de acuerdo a la ley vigente, la vigencia de cualquier garantía implícita derivada de la aplicación de la ley será limitada a un periodo de 1 (un) año, contado a partir de la fecha de compraventa originaria al menudeo, o por un periodo mas amplio en caso de que éste último sea previsto por la ley aplicable.

Esta garantía no cubre ningun daño especial, fortuito y/o consecuente, ni la pérdida de beneficios, sufridos por el comprador original, de sus clientes y/o de los usuarios del producto.

A quién contactar:

Para obtener servicio bajo la garantía o por cualquier servicio relacionado a dudas o preguntas, por favor visite la sección de soporte en la página web que se muestra a continuación:

www.elica.com

Tenga su comprobante de compra con la fecha, lista para cuestiones de garantía.

