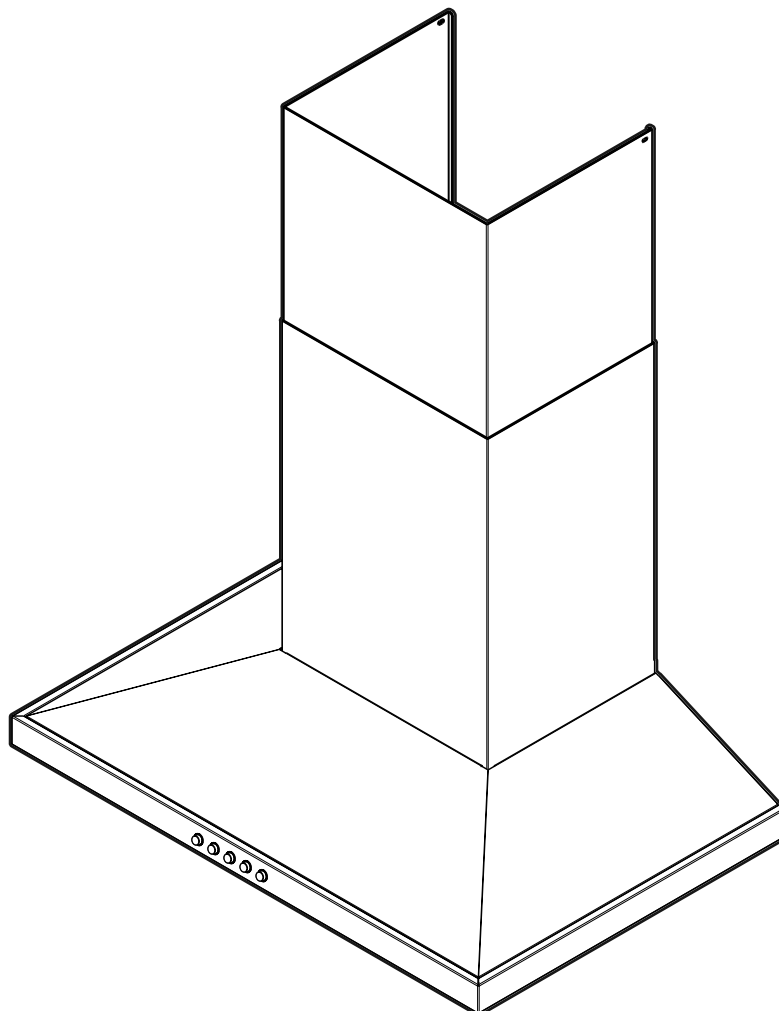


**Installation Instructions Guide**  
Guía de Instrucciones para Instalación  
Guide d'instructions d'installation



**READ AND SAVE THESE INSTRUCTIONS**  
**LEA Y GUARDE ESTAS INSTRUCCIONES**  
**LIRE ET CONSERVER CES INSTRUCTIONS**

English	page	2
Français	page	11
Español	página	21

## Table of Contents

Tools and Parts	3
Electrical Requirements	4
Venting Requirements	4
Installation Instructions	5
Installing the Range Hood	6
Connect Vent System	6
Electrical Connection	6
Install Duct Covers	7
Complete Installation	7
Description of the Hood	7
Control	7
Range Hood Care	8
WARRANTY	10

## APPROVED FOR RESIDENTIAL APPLIANCES FOR RESIDENTIAL USE ONLY

### READ AND SAVE THESE INSTRUCTIONS

**PLEASE READ ENTIRE INSTRUCTIONS BEFORE PROCEEDING.  
INSTALLATION MUST COMPLY WITH ALL LOCAL CODES.**

**IMPORTANT:** Save these Instructions for the Local Electrical Inspector's use.

**INSTALLER:** Please leave these Instructions with this unit for the owner.

**OWNER:** Please retain these instructions for future reference.

**Safety Warning:** Turn off power circuit at service panel and lock out panel before wiring this appliance.

Requirement 120 VAC, 60 Hz. 15 or 20 A Branch Circuit

## IMPORTANT SAFETY INSTRUCTIONS

**WARNING:** TO REDUCE THE RISK OF FIRE, ELECTRIC SHOCK, OR INJURY TO PERSONS, OBSERVE THE FOLLOWING:

- Use this unit only in the manner intended by the manufacturer. If you have questions, contact the manufacturer.
- Before servicing or cleaning the unit, switch power off at service panel and lock the service disconnecting means to prevent power from being switched on accidentally. When the service disconnecting means cannot be locked, securely fasten a prominent warning device, such as a tag to the service panel.
- Installation work and electrical wiring must be done by qualified person(s) in accordance with all applicable codes and standards, including fire-rated construction.
- Sufficient air is needed for proper combustion and exhausting of gases through the flue (chimney) of fuel burning equipment to prevent backdrafting. Follow the heating equipment manufacturer's guideline and safety standards such as those published by the National Fire Protection Association (NFPA), the American Society for Heating, Refrigeration and Air Conditioning Engineers (ASHRAE), and the local code authorities.
- When cutting or drilling into wall or ceiling; do not damage electrical wiring and other hidden utilities.
- Ducted fans must always be vented outdoors.

**CAUTION:** For general ventilating use only. Do not use to exhaust hazardous or explosive materials and vapors.

**CAUTION:** To reduce risk of fire and to properly exhaust air, be sure to duct air outside - do not vent exhaust air into spaces within walls or ceilings, attics or into crawl spaces, or garages.

**WARNING:** TO REDUCE THE RISK OF FIRE, USE ONLY METAL DUCTWORK

**WARNING:** TO REDUCE THE RISK OF A RANGE TOP GREASE FIRE:

- Never leave surface units unattended at high settings. Boilovers cause smoking and greasy spillovers that may ignite. Heat oils slowly on low or medium settings.
- Always turn hood ON when cooking at high heat or when flambeing food (i.e. Crepes Suzette, Cherries Jubilee, Peppercorn Beef Flambé).
- Clean ventilating fans frequently. Grease should not be allowed to accumulate on fan or filter.
- Use proper pan size. Always use cookware appropriate for the size of the surface element.

**WARNING:** TO REDUCE THE RISK OF INJURY TO PERSONS IN THE EVENT OF A RANGE TOP GREASE FIRE, OBSERVE THE FOLLOWING:<sup>a</sup>

- **SMOTHER FLAMES** with a close fitting lid, cookie sheet, or metal tray, then turn off the burner. **BE CAREFUL TO PREVENT BURNS.** If the flames do not go out immediately, **EVACUATE AND CALL THE FIRE DEPARTMENT.**
- **NEVER PICK UP A FLAMING PAN** - you may get burned.
- **DO NOT USE WATER**, including wet dishcloths or towels - a violent steam explosion will result.
- Use an extinguisher **ONLY** if:
  - You know you have a class ABC extinguisher, and you already know how to operate it.
  - The fire is small and contained in the area where it started.
  - The fire department is being called.
  - You can fight the fire with your back to an exit.

<sup>a</sup>Based on "Kitchen Fire Safety Tips" published by NFPA.

**WARNING:** To reduce the risk of fire or electrical shock, do not use this fan with any solid-state speed control device.

**WARNING:** Do not operate any fan with a damaged cord or plug. Discard fan or return to an authorized service facility for examination and/or repair.

## READ AND SAVE THESE INSTRUCTIONS

# Tools and Parts

## Parts supplied

### Removing the packaging

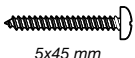
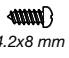
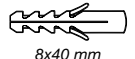

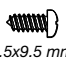
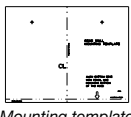
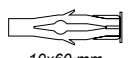
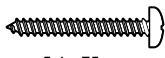
#### CAUTION!

Remove carton carefully, wear gloves to protect against sharp edges.

#### WARNING!

Remove the protective film covering the product before putting into operation.

- Hood canopy assembly with blower and LED lamps already installed.
- 6" (15.2 cm) round air transition
- Duct covers
- Hardware bag with:

Part	Qty	Part	Qty
 5x45 mm	6	 4.2x8 mm	4
 8x40 mm	6	 Duct cover bracket	1
 3.5x9.5 mm	2	 Mounting template	1
 10x60 mm	4	 5.4 x 75 mm	4

### Tools/Materials required

- Level
- Drill with 1¼" (3.2 cm), ½" (3.2 mm), and ¼" (4,8 mm) drill bits
- Pencil
- Wire stripper or utility knife
- Tape measure or ruler
- Pliers
- Caulking gun and weatherproof caulking compound
- Vent clamps
- Jigsaw or keyhole saw
- Flat-blade screwdriver
- Metal snips
  - Phillips
  - Torx 20 screwdriver

### Parts needed

- Home power supply cable
- ½" (12.7 mm) UL listed or CSA approved strain relief
- 2 UL listed wire connectors

### For vented installations, you will also need:

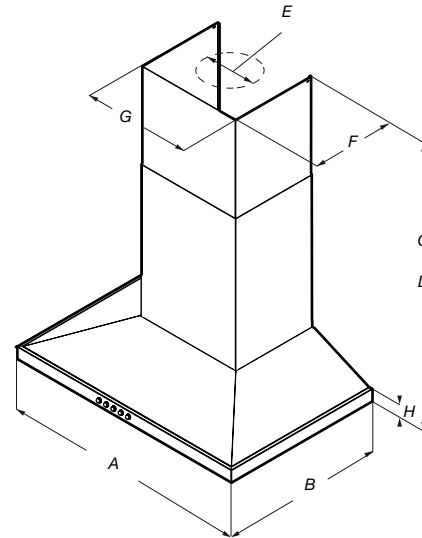
- 1 wall or roof cap
- Metal vent system

## Parts not supplied

### Optional Accessories

Kit	# Part	Kit	# Part
No Return Valve Kit	KIT0102873	CFM Reduction Kit	KIT02748
Recirculating Kit	KIT0102875	Long Chimney Extension Kit	KIT01935

## Product Dimensions



	ALS430SSB	ALS436SSB
A	30" (76 cm)	36" (91.2 cm)
B	19 <sup>1</sup> / <sub>16</sub> " (50 cm)	
C*	max. 42 <sup>9</sup> / <sub>16</sub> " (108.1 cm) min. 28 <sup>17</sup> / <sub>64</sub> " (71.8 cm)	
D**	max. 38 <sup>45</sup> / <sub>64</sub> " (98.3 cm) min. 24 <sup>39</sup> / <sub>64</sub> " (62.5 cm)	
E	6" (15.24 cm)	
F	10 <sup>19</sup> / <sub>32</sub> " (26.9 cm)	
G	13 <sup>5</sup> / <sub>64</sub> " (33.2 cm)	
H	1 <sup>37</sup> / <sub>64</sub> " (4 cm)	

\*For non-vented (recirculating installations)

\*\*For vented installations

# Electrical Requirements

## IMPORTANT

Observe all governing codes and ordinances.

It is the customer's responsibility:

To contact a qualified electrical installer.

To assure that the electrical installation is adequate and in conformance with National Electrical Code, ANSI/NFPA 70 — latest edition\*, or CSA Standards C22.1-94, Canadian Electrical Code, Part 1 and C22.2 No.0-M91 - latest edition\*\* and all local codes and ordinances.

If codes permit and a separate ground wire is used, it is recommended that a qualified electrician determine that the ground path is adequate.

A copy of the above code standards can be obtained from:

National Fire Protection Association

1 Batterymarch Park

Quincy, MA 02169-7471

CSA International

8501 East Pleasant Valley Road

Cleveland, OH 44131-5575

A 120 volt, 60 Hz., AC only, 15-amp, fused electrical circuit is required.

■ If the house has aluminum wiring, follow the procedure below:

1. Connect a section of solid copper wire to the pigtail leads.
2. Connect the aluminum wiring to the added section of copper wire using special connectors and/or tools designed and UL listed for joining copper to aluminum.

Follow the electrical connector manufacturer's recommended procedure. Aluminum/copper connection must conform with local codes and industry accepted wiring practices.

- Wire sizes and connections must conform with the rating of the appliance as specified on the model/serial rating plate. The model/serial plate is located behind the filter on the rear wall of the range hood.
- Wire sizes must conform to the requirements of the National Electrical Code, ANSI/NFPA 70 (latest edition), or CSA Standards C22. 1-94, Canadian Electrical Code, Part 1 and C22.2 No. 0-M91 (latest edition and all local codes and ordinances).

# Venting Requirements

## (ducted models only)

- Vent system must terminate to the outdoors, except for non vented (recirculating) installations.
- Do not terminate the vent system in an attic or other enclosed area.
- Do not use 4" (10.2 cm) laundry-type wall cap.
- Use metal vent only. Rigid metal vent is recommended. Plastic or metal foil vent is not recommended.
- The length of vent system and number of elbows should be kept to a minimum to provide efficient performance.

## For the most efficient and quiet operation:

- Use no more than three 90° elbows.
- Make sure there is a minimum of 24" (61 cm) of straight vent between the elbows if more than 1 elbow is used.
- Do not install 2 elbows together.
- Use clamps to seal all joints in the vent system.
- The vent system must have a damper. If the roof or wall cap has a damper, do not use the damper supplied with the range hood.
- Use caulking to seal exterior wall or roof opening around the cap.
- The size of the vent should be uniform.

## Venting Methods

This canopy hood is factory set for venting through the roof or wall. A 6" (15.2 cm) round vent system is needed for installation (not included). The hood exhaust opening is 6" (15.2 cm) round.

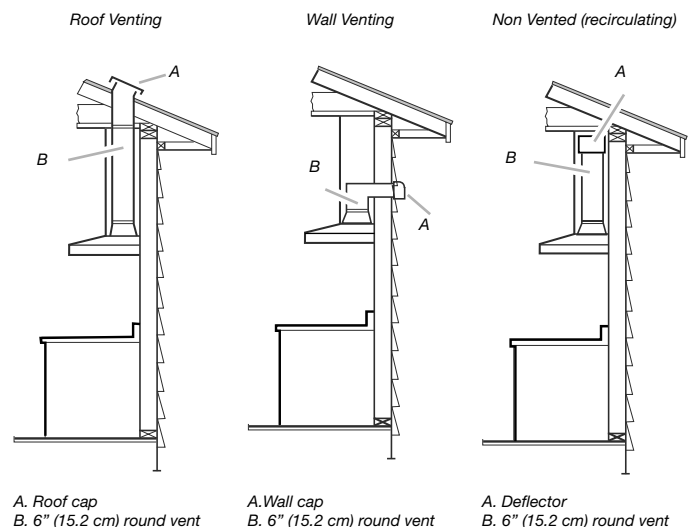
**NOTE:** Flexible vent is not recommended. Flexible vent creates back pressure and air turbulence that greatly reduce performance. Vent system can terminate either through the roof or wall. To vent through a wall, a 90° elbow is needed.

## Rear discharge

A 90° elbow may be installed immediately above the hood.

## For Non-Vented (recirculating) Installations

If it is not possible to vent cooking fumes and vapors to the outside, the hood can be used in the non-vented (recirculating) version, fitting a charcoal filter and the deflector. Fumes and vapors are recycled through the top grille.



# Installation Instructions

## Prepare Location

- It is recommended that the vent system be installed before hood is installed.
  - Before making cutouts, make sure there is proper clearance within the ceiling or wall for exhaust vent.
  - Check your ceiling height and the hood height maximum before you select your hood.
1. Disconnect power.
  2. Determine which venting method to use: roof, wall, or nonvented.
  3. Select a flat surface for assembling the range hood. Place covering over that surface.

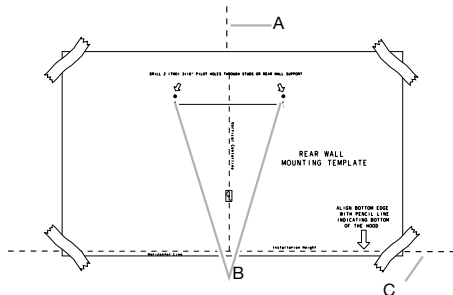
### WARNING

**TO REDUCE THE RISK OF FIRE, ELECTRIC SHOCK, OR INJURY TO PERSONS, OBSERVE THE FOLLOWING**

4. Using 2 or more people, lift range hood onto covered surface.

## Range hood mounting screws installation

1. Determine and mark the centerline on the wall where the canopy hood will be installed. Disconnect power.
2. Select a mounting height between a minimum of 24" (60.9 cm) for an electric cooking surface, a minimum of 30" (76.2 cm) for a gas cooking surface, and a suggested maximum of 36" (91.4 cm) above the range to the bottom of the hood. Mark a reference line on the wall.
3. Tape template in place, aligning the template centerline and bottom of template with hood bottom line and with the centerline marked on the wall.

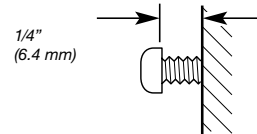


A. Centerline  
B. Fastener locations  
C. Mounting height reference (hood bottom line)

4. Mark centers of the fastener locations through the template to the wall.

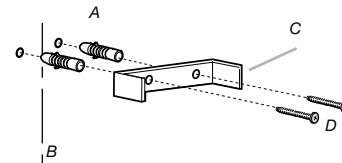
**IMPORTANT:** All screws must be installed into wood. If there is no wood to screw into, additional wall framing supports may be required.

5. Remove the template.
6. Drill  $\frac{3}{16}$ " (4.8 mm) pilot holes at all locations where screws are being installed into wood.
7. Install the 2 - 5 x 45 mm mounting screws. Leave a  $\frac{1}{4}$ " (6.4 mm) gap between the wall and the back of the screw head to slide range hood into place.



### Vent cover bracket installation

1. Attach vent cover bracket to wall flush to the ceiling using 2 - 5 x 45 mm screws.



A. 8 x 40 mm drywall anchors  
B. Centerline on wall  
C. Vent cover support bracket  
D. 5 x 45 mm screws

### Complete Preparation

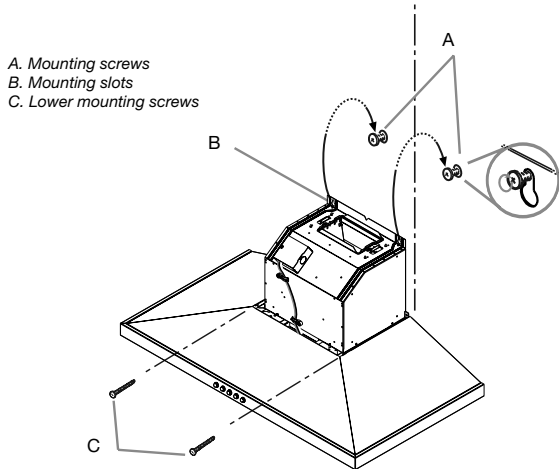
1. Determine and make all necessary cuts in the wall for the vent system. Install the vent system before installing the hood. See "Venting Requirements" section.
2. Determine the required height for the home power supply cable and drill a  $1\frac{1}{4}$ " (3.2 cm) hole at this location.
3. Run the home power supply cable according to the National Electrical Code or CSA Standards and local codes and ordinances. There must be enough  $\frac{1}{2}$ " conduit and wires from the fused disconnect (or circuit breaker) box to make the connection in the hood's electrical terminal box.

**NOTE:** Do not reconnect power until installation is complete.

4. Use caulk to seal all openings.
5. Remove plastic bag with styrofoam located behind the blower motor from inside the hood.

# Installing the Range Hood

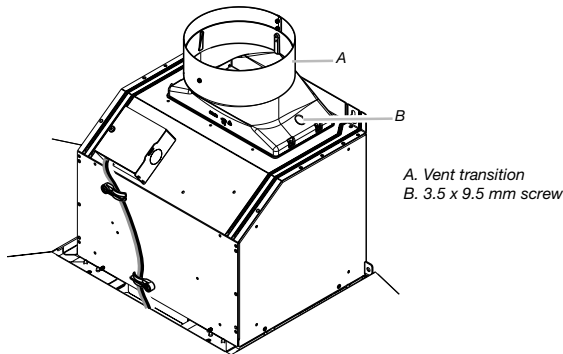
- Using 2 or more people, hang range hood on 2 mounting screws through the mounting slots on back of hood.



- Mark with a pencil the lower mounting holes location.
- Uninstall the hood assembly, and drill  $\frac{3}{16}$ " (4.8 mm) pilot holes at marked locations.
- Hang the range hood again on 2 upper mounting screws.
- Level the range hood and tighten upper mounting screws.
- Install 2 - 5 x 45 mm lower mounting screws and tighten.
- Use the optional wall anchors if needed.

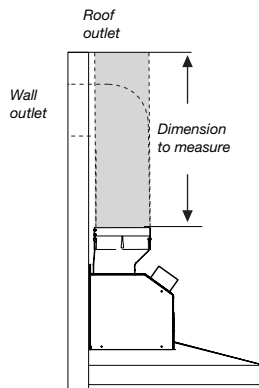
# Connect Vent System

- Install transition on top of hood (if removed for shipping) with 2 - 3.5 x 9.5 mm sheet metal screws.



### For vented installations only:

- Fit vent system over the exhaust outlet.
- Measure from the bottom of the air deflector to the bottom of the hood outlet. Cut the ductwork at the measured dimension.

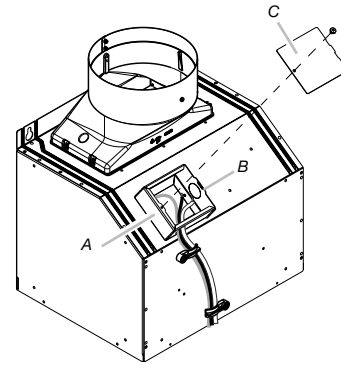


- Seal connection with clamps.
- Check that back draft dampers work properly.

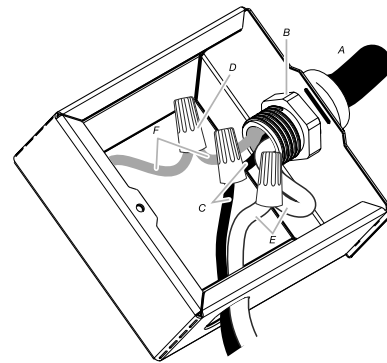
# Electrical Connection

**WARNING: Electrical Shock Hazard**  
Disconnect power before servicing.  
Replace all parts and panels before operating.  
Failure to do so can result in death or electrical shock.

- Disconnect power.
- Remove terminal box cover.
- Remove the knockout in the terminal box cover and install a UL listed or CSA approved  $\frac{1}{2}$ " strain relief.



- Run home power supply cable through strain relief, into terminal box.



- Use UL listed wire connectors and connect black wires (C) together.
- Use UL listed wire connectors and connect white wires (E) together.

**WARNING: Electrical Shock Hazard**  
Electrically ground blower.

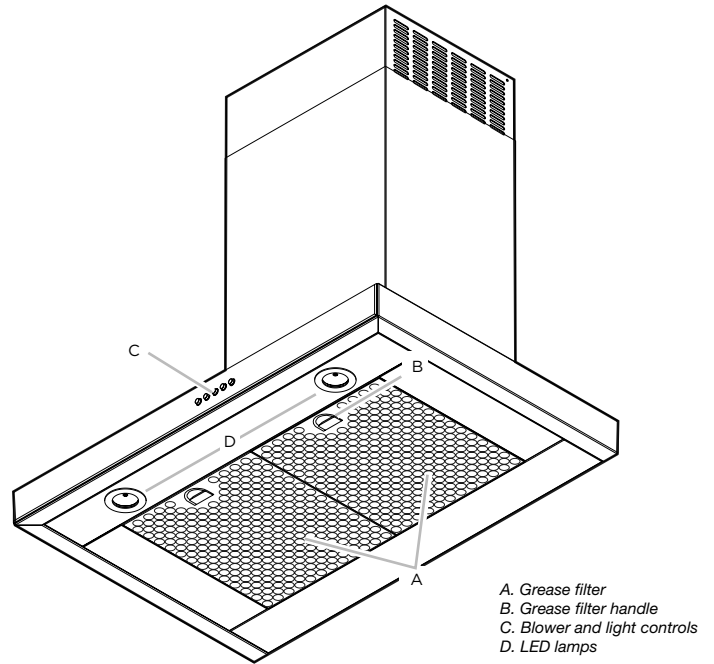
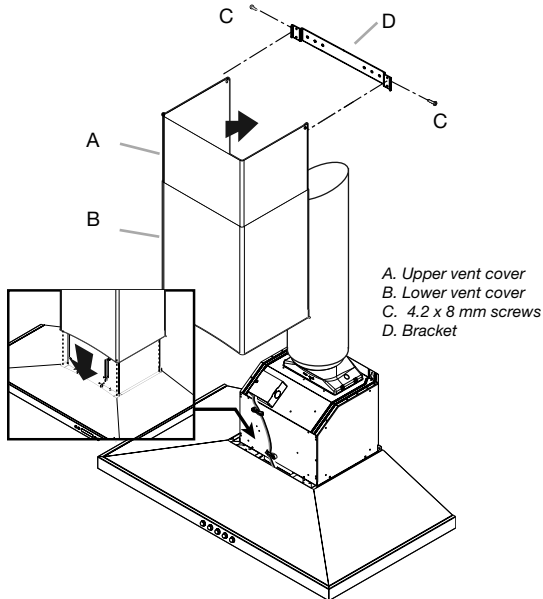
Connect ground wire to green and yellow ground wire in terminal box. Failure to do so can result in death or electrical shock.

- Connect green (or bare) ground wire from home power supply to yellow-green ground wire (F) in terminal box using UL listed wire connectors.
- Tighten strain relief screw.
- Install terminal box cover.
- Reconnect power.

# Install Duct Covers

When using both upper and lower vent covers, push lower cover down onto hood and lift upper cover to ceiling and install with two mounting screws.

**NOTE:** For vented installations, the upper vent cover may be reversed to hide slots.



# Complete Installation

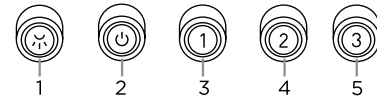
1. For non-vented (recirculating) installations only, install charcoal filters over metal grease filter. See the “Range Hood Care” section.
2. Install metal filters. See the “Range Hood Care” section.
3. Check the operation of the range hood blower and light. See the “Range Hood Use” section.

**NOTE:** To get the most efficient use from your new range hood, read the “Range Hood Use” section.

# Description of the Hood

The range hood is designed to remove smoke, cooking vapors and odors from the cooktop area. For best results, start the hood before cooking and allow it to operate several minutes after the cooking is complete to clear all smoke and odors from the kitchen. The hood controls are located on the front side of the canopy.

# Control



1. Light On/Off button
2. Blower On/Off button
3. Blower speed minimum button
4. Blower speed medium button
5. Blower speed maximum button

**NOTE:** Control buttons will light up when range hood is On.

## Operating the light

The Light On/Off button (1) controls both lights. Press once for On and again for Off.

## Operating the blower

The Blower On/Off button (2) turns the blower On or Off.

The Blower Speed buttons (3, 4 and 5) set the desired speed and control the sound level for quiet operation. The speed can be changed anytime during fan operation by pressing the desired blower speed button.

1. To turn the blower On, press the Blower On/Off button (2) and the desired speed button (3, 4 or 5).
2. To turn the blower Off, press the Blower On/Off button (2).
3. Any of the 3 blower speed buttons can be in the On position at the same time. The blower will operate at the highest speed button that is pushed in. For lower blower speeds, the higher speed buttons must not be pushed in.

When the temperature level on the hood drops to normal, the blower will operate in the setting defined by the user before the alarm occurred.

# Range Hood Care

## Cleaning

**IMPORTANT:** Clean the hood and grease filters frequently according to the following instructions. Replace grease filters before operating hood.

### Exterior Surfaces:

To avoid damage to the exterior surface, do not use steel wool or soap-filled scouring pads.

Always wipe dry to avoid water marks.

### Cleaning Method:

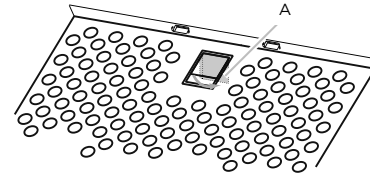
- Liquid detergent soap and water, or all-purpose cleanser
- Wipe with damp soft cloth or nonabrasive sponge, then rinse with clean water and wipe dry.
- Do not use cleaning agents containing bleach.

### Replacing a LED Lamp

The LED lights are replaceable by a service technician only. See the service contact information in this page below.

### Aluminum Grease Filter:

1. Remove the filter by pulling the spring release handle and then pulling down the filter.



A. Spring release handle

2. Wash aluminum grease filters as needed in dishwasher or hot detergent solution.
3. Reinstall the filter by making sure the spring release handles are toward the front. Insert aluminum filter into upper track.
4. Push in spring release handle.
5. Push up on aluminum filter and release handle to latch into place.



Are You Having Difficulty Assembling  
This Product? Missing Parts?

**PLEASE DO NOT RETURN TO THE STORE!**

*Call Service Power*

**1-888-732-8018**

between 7 a.m. and 4:00 p.m. (Pacific Time), Monday - Friday

or Email: ***elica@servicepower.com***

(please include contact name, model, serial number, purchasing ticket and best time to contact)

**for all replacement parts and any questions  
you may have about this product!**

**SERVICE** *Power*  
Service Made Simple

1503 South Coast Drive #320 Costa Mesa, CA 92626

**IMPORTANT: Please save the original package if return is needed.**

# WARRANTY

**TO OBTAIN SERVICE UNDER WARRANTY:  
or any Service Related Questions, please call:  
1-888-732-8018**

Staple your receipt here.  
Proof of the original purchase  
date is needed to obtain service  
under the warranty.

**TO OBTAIN SERVICE UNDER WARRANTY: You must present proof of original purchase date.  
Please keep a copy of your dated proof of purchase (sales slip) in order to obtain service under warranty.**

## **Parts and Service Warranty:**

For the period of one year from the date of the original purchase, we will provide free of charge, non consumable parts or components that failed due to manufacturing defects. During this one year limited warranty, we will also provide, free of charge, all labor and in-home service to replace the defective part.

## **What is Not Covered:**

- Damage to the product caused by floods, act of God, fire and accidents.
- Damage caused after delivery.
- House fuses replacement or resetting of circuit breakers.
- Service trips to your home to teach you how to use or install the product.
- Light bulbs, metal, carbon filters and the other consumable parts.
- The natural wear of finish, and wear due to improper maintenance, use of corrosive and abrasive cleaning products, pads, and oven cleaner products.

## **This warranty will be voided when:**

- Product damaged due to improper installation and failure to follow installation instructions, delivery or maintenance.
- Incidental or consequential damage caused by possible defects with this appliance.
- Alteration or modification of the Product which may cause in damage to the Product, or failure to operate it in accordance with specifications.
- Damage because of improper connection with equipment of other manufacturers.
- Failure of the product if it is negligence, abused, misused, or used for other than the intended purpose or used commercially.
- Improper repair, modification or servicing of the Product performed by third parties other than Authorized Agents.

## **Who is Covered:**

This warranty is extended to the original purchaser for products purchased for ordinary home use in the 48 mainland states, Hawaii, Washington D.C. Alaska, Guam, Puerto Rico and the Virgin Islands.

This warranty is non-transferable and applies only to the original purchaser and does not extend to subsequent owners of this product. This warranty is made expressly in lieu of all other warranties, expressed or implied, including, but not limited, any implied warranty of merchantability or fitness for a particular purpose, and all other obligations on the part of Elicamex, provided, however, that if the disclaimer of implied warranties is ineffective under applicable law, the duration of any implied warranties arising by operation of law shall be limited to 1 (one) year from the date of original purchase at retail or such longer period as may be required by applicable law.

This warranty does not cover any special, incidental and/or consequential damages, nor loss of profits, suffered by the original purchaser, its customers and/or the users of the Product.

Have your product proof of purchase with date ready for warranty issues.  
Or write to:

## **Who to contact**

To obtain service under warranty or for any service related question, please visit the support section on the website below:

[www.elica.com](http://www.elica.com)

Have your product proof of purchase with date ready for warranty issues.

## Sommaire

Outils et Pièces	13
Dimensions et Dégagement	13
Spécifications Électriques	14
Exigences Concernant L'évacuation	14
Instructions d'installation	15
Installation de la Hotte	16
Raccordement du circuit d'évacuation	16
Connexion Électrique	17
Installation des Cache-conduits	17
Achever l'installation	17
Utilisation de la Hotte	18
Commandes	18
Entretien de la Hotte	18
GARANTIE	20

**APPROUVÉ COMME APPAREIL DOMESTIQUE  
POUR UNE UTILISATION RÉSIDENIELLE SEULEMENT  
LISEZ CES INSTRUCTIONS ET CONSERVEZ-LES**

**VEUILLEZ LIRE CES INSTRUCTIONS AU COMPLET AVANT  
DE COMMENCER.  
L'INSTALLATION DE L'APPAREIL DOIT RESPECTER TOUS  
LES CODES EN VIGUEUR.**

**IMPORTANT:** Conservez ces instructions afin de pouvoir les remettre à l'inspecteur-électricien de votre région.

**INSTALLATEUR:** Veuillez laisser ces instructions avec l'appareil pour le propriétaire.

**PROPRIÉTAIRE:** Veuillez conserver ces instructions pour pouvoir vous y référer plus tard.

**Avertissement de sécurité:** Coupez l'alimentation du circuit dans le panneau électrique et verrouillez le panneau avant de raccorder les fils de cet appareil

Requirement 120 VAC, 60 Hz. 15 or 20 A Branch Circuit

# IMPORTANTES INSTRUCTIONS DE SÉCURITÉ

**AVERTISSEMENT:** POUR RÉDUIRE LE RISQUE D'INCENDIE, CHOC ÉLECTRIQUE OU DOMMAGES CORPORELS, RESPECTER LES INSTRUCTIONS SUIVANTES:

- Utiliser cet appareil uniquement dans les applications envisagées par le fabricant. Pour toute question, contacter le fabricant.
- Avant d'entreprendre un travail d'entretien ou de nettoyage, interrompre l'alimentation de la hotte au niveau du tableau de disjoncteurs, et verrouiller le tableau de disjoncteurs pour empêcher tout rétablissement accidentel de l'alimentation du circuit. Lorsqu'il n'est pas possible de verrouiller le tableau de disjoncteurs, placer sur le tableau de disjoncteurs une étiquette d'avertissement proéminente interdisant le rétablissement de l'alimentation.
- Tout travail d'installation ou câblage électrique doit être réalisé par une personne qualifiée, dans le respect des prescriptions de tous les codes et normes applicables, y compris les codes du bâtiment et de protection contre les incendies.
- Une source d'air de débit suffisant est nécessaire pour le fonctionnement correct de tout appareil à gaz (combustion et évacuation des gaz à combustion par la cheminée), pour qu'il n'y ait pas de reflux des gaz de combustion. Respecter les directives du fabricant de l'équipement de chauffage et les prescriptions des normes de sécurité - comme celles publiées par la National Fire Protection Association (NFPA) et l'American Society for Heating, Refrigeration and Air Conditioning Engineers (ASHRAE), et les prescriptions des autorités réglementaires locales.
- Lors d'opérations de découpage et de perçage dans un mur ou un plafond, veiller à ne pas endommager les câblages électriques ou canalisations qui peuvent s'y trouver.
- Les ventilateurs d'évacuation doivent toujours décharger l'air à l'extérieur.

**MISE EN GARDE:** Cet appareil est conçu uniquement pour la ventilation générale. Ne pas l'utiliser pour l'extraction de matières ou vapeurs dangereuses ou explosives.

**MISE EN GARDE:** Pour minimiser le risque d'incendie et évacuer adéquatement les gaz, veiller à acheminer l'air aspiré par un conduit jusqu'à l'extérieur - ne pas décharger l'air aspiré dans un espace vide du bâtiment comme une cavité murale, un plafond, un grenier, un vide sanitaire ou un garage.

**AVERTISSEMENT:** POUR RÉDUIRE LE RISQUE D'INCENDIE, UTILISER UNIQUEMENT DES CONDUITS MÉTALLIQUES.

**AVERTISSEMENT:** Ne pas utiliser un ventilateur avec un cordon ou une fiche endommagé. Jeter ventilateur ou retourner à un cen-

tre de service autorisé pour examen et / ou réparation.

**AVERTISSEMENT:** POUR MINIMISER LE RISQUE D'UN FEU DE GRAISSE SUR LA CUISINIÈRE:

- Ne jamais laisser un élément de surface fonctionner à puissance de chauffage maximale sans surveillance. Un renversement/débordement de matière grasseuse pourrait provoquer une inflammation et la génération de fumée. Utiliser une puissance de chauffage moyenne ou basse pour le chauffage d'huile.
- Veiller à toujours faire fonctionner le ventilateur de la hotte lors de la cuisson avec une puissance de chauffage élevée ou lors de la cuisson d'un mets à flamber (à savoir crêpes Suzette, cerise jubilee, steak au poivre flambé).
- Nettoyer fréquemment les ventilateurs d'extraction. Veiller à ne pas laisser la graisse s'accumuler sur les surfaces du ventilateur ou des filtres.
- Utiliser toujours un ustensile de taille appropriée. Utiliser toujours un ustensile adapté à la taille de l'élément chauffant.

**AVERTISSEMENT:** POUR RÉDUIRE LE RISQUE DE DOMMAGES CORPORELS APRÈS LE DÉCLENCHEMENT D'UN FEU DE GRAISSE SUR LA CUISINIÈRE, APPLIQUER LES RECOMMANDATIONS SUIVANTES:<sup>a</sup>

- Placer sur le récipient un couvercle bien ajusté, une tôle à biscuits ou un plateau métallique POUR ÉTOUFFER LES FLAMMES, puis éteindre le brûleur. VEILLER À ÉVITER LES BRÛLURES. Si les flammes ne s'éteignent pas immédiatement, ÉVACUER LA PIÈCE ET APPELER LES POMPIERS.
- NE JAMAIS PRENDRE EN MAIN UN RÉCIPENT ENFLAMMÉ - vous risquez de vous brûler.
- NE PAS UTILISER D'EAU, ni un torchon humide - ceci pourrait provoquer une explosion de vapeur brûlante.
- Utiliser un extincteur SEULEMENT si:
  - Il s'agit d'un extincteur de classe ABC, dont on connaît le fonctionnement.
  - Il s'agit d'un petit feu encore limité à l'endroit où il s'est déclaré.
  - Les pompiers ont été contactés.
  - YII est possible de garder le dos orienté vers une sortie pendant l'opération de lutte contre le feu.

<sup>a</sup>Recommandations tirées des conseils de sécurité en cas d'incendie de cuisine publiés par la NFPA.

**AVERTISSEMENT:** Pour réduire le risque d'incendie ou de choc électrique, ne pas utiliser ce ventilateur avec un quelconque dispositif de réglage de la vitesse à semiconducteurs.

## LIRE ET CONSERVER CES INSTRUCTIONS

# Outils et Pièces

## Pièces Fournies

Enlever l'emballage

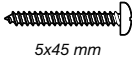
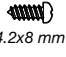
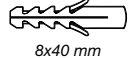
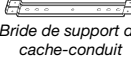
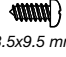
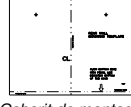
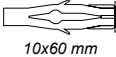
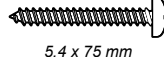
### ATTENTION

Enlever délicatement le carton, Porter des gants pour se protéger des bords coupants.

### AVERTISSEMENT

Enlever le film de protection recouvrant le produit avant de commencer l'opération.

- Hotte avec ventilateur et lampes DEL
- Conduit métallique rond de 6" (15.2 cm)
- Conduits de cheminée
- Kit quincaillerie comprenant:

Pièce	Quantité	Pièce	Quantité
 5x45 mm	6	 4.2x8 mm	4
 8x40 mm	6	 Bride de support du cache-conduit	1
 3.5x9.5 mm	2	 Gabarit de montage	1
 10x60 mm	4	 5.4 x 75 mm	4

### Outils nécessaires

- Niveau
- Perceuse avec forets de 1¼" (3.2 cm), ½" (3.2 mm), y ¼" (4,8 mm)
- Crayon
- Pince à dénuder ou couteau utilitaire
- Mètre-ruban ou règle
- Pince
- Pistolet à calfeutrage et composé de calfeutrage résistant aux intempéries
- Brides de conduit
- Scie sauteuse ou scie à guichet
- Tournevis à lame plate
- Cisaille de ferblantier
- Tournevis Phillips (Pozidrive) et tournevis Torx 20

### Pièces nécessaires

- Câble d'alimentation électrique du domicile
- Serre-câble de 1/2" (12,7 mm) (homologation UL ou CSA)
- 3 connecteurs de fils homologués UL

**Pour les installations avec décharge à l'extérieur, il vous faudra aussi:**

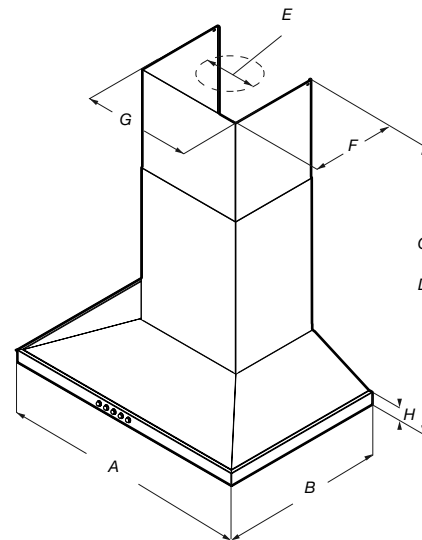
- 1 bouche de décharge (décharge à travers le mur ou à travers le toit)
- Circuit d'évacuation métallique

## Pièces non fournies

### Accessoires Optionnel

Kit	# Pièce	Kit	# Pièce
Kit Clapet anti-retour	KIT0102873	Kit CFM réduction	KIT02748
Kit Recyclage	KIT0102875	Kit Extension	KIT01935

## Dimensions et Dégagement



	ALS430SSB	ALS436SSB
A	30" (76 cm)	36" (91.2 cm)
B	19 <sup>1</sup> / <sub>16</sub> " (50 cm)	
C*	max. 42 <sup>9</sup> / <sub>16</sub> " (108.1 cm) min. 28 <sup>17</sup> / <sub>64</sub> " (71.8 cm)	
D**	max. 38 <sup>45</sup> / <sub>64</sub> " (98.3 cm) min. 24 <sup>39</sup> / <sub>64</sub> " (62.5 cm)	
E	6" (15.24 cm)	
F	10 <sup>19</sup> / <sub>32</sub> " (26.9 cm)	
G	13 <sup>5</sup> / <sub>64</sub> " (33.2 cm)	
H	1 <sup>37</sup> / <sub>64</sub> " (4 cm)	

\*Pour les installations sans évacuation à l'extérieur (recyclage)

\*\*Pour les installations avec évacuation à l'extérieur

# Spécifications Électriques

## IMPORTANT

Observer les dispositions de tous les codes et règlements en vigueur.

Le client a la responsabilité de:

Contacter un électricien-installateur.

Vérifier que l'installation électrique est adéquate et conforme avec le Code national de l'électricité, ANSI/NFPA 70 (la plus récente édition\*), ou les normes C22.1-94, Code canadien de l'électricité, Partie 1 et C22.2 No.0-M91 (La plus récente édition\*\*) de la CSA, ainsi que tous les codes et les ordonnances de votre région.

Si le code le permet et que vous utilisez un fil de mise à la terre distinct, il est recommandé de faire vérifier le chemin du fil par un électricien.

Pour obtenir un exemplaire des normes des codes ci-dessus, contacter:

National Fire Protection Association

1 Batterymarch Park

Quincy, MA 02169-7471

CSA International

8501 East Pleasant Valley Road

Cleveland, OH 44131-5575

- L'appareil doit être alimenté par un circuit de 120 V CA seulement, 60 Hz, 15 ampères, protégé par fusible.
  - Si le domicile possède un câblage en aluminium, suivre la procédure ci-dessous:
    1. Raccorder une section de câble en cuivre massif aux conducteurs en queue de cochon.
    2. Connecter le câblage en aluminium à la section ajoutée de câblage en cuivre en utilisant des connecteurs et/ou des outils spécialement conçus et homologués UL pour fixer le.
- Suivre la procédure recommandée par le fabricant de connecteurs électriques. Les raccordements aluminium/ cuivre doivent satisfaire aux prescriptions des codes locaux et de l'industrie, et être conformes aux pratiques de câblage reconnues.
- Le calibre des conducteurs et les connexions doivent être compatibles avec les caractéristiques électriques de l'appareil spécifiées sur la plaque signalétique. La plaque signalétique de l'appareil est située derrière le filtre, sur l'arête arrière de la hotte.
  - Le calibre des conducteurs doit être conforme aux exigences du National Electrical Code, de la plus récente édition de la norme ANSI/NFPA 70 ou des normes CSA C22.1-94, Code canadien de l'électricité, partie 1 et C22.2 n° 0-M91 (édition la plus récente) et de tous les codes et règlements en vigueur.

# Exigences Concernant L'évacuation

## (Pour les installations avec évacuation à l'extérieur)

- Le circuit d'évacuation doit décharger l'air à l'extérieur, excepté pour une installation sans décharge à l'extérieur (recyclage).
- Ne pas terminer le circuit d'évacuation dans un grenier ou dans un autre espace fermé.
- Ne pas utiliser une bouche de décharge murale de 4" (10,2 cm) normalement utilisée pour un équipement de buanderie).
- Utiliser uniquement des conduits métalliques. Des conduits en métal rigide sont recommandés. Ne pas utiliser de conduit de plastique ou en aluminium.
- La longueur du circuit d'évacuation et le nombre de coudes doivent être réduits au minimum pour fournir la meilleure performance.

## Pour un fonctionnement efficace et silencieux:

- Ne pas utiliser plus de trois coudes à 90°.
- Veiller à ce qu'il y ait une section droite de conduit de 24" (61 cm) ou plus entre les coudes, si on doit utiliser plus d'un raccord coudé.
- Ne pas connecter 2 coudes ensemble.
- Au niveau de chaque jointure du circuit d'évacuation, assurer l'étanchéité avec les brides de serrage.
- Le circuit d'évacuation doit comporter un clapet antireflux.
- Si la bouche de décharge murale ou par le toit comporte un clapet, ne pas utiliser le clapet fourni avec la hotte d'extraction.
- Assurer l'étanchéité avec un composé de calfeutrage autour de la bouche de décharge à l'extérieur (mur ou toit).
- La taille du conduit doit être uniforme.

## Méthodes d'évacuation

Cette hotte a été configurée à l'usine pour la décharge de l'air aspiré à travers le toit ou à travers un mur.

Un circuit d'évacuation en conduit rond de 6" (15,2 cm) (non fourni) est nécessaire pour l'installation. La hotte comporte une ouverture de sortie de diamètre 6" (15,2 cm).

**REMARQUE:** On déconseille l'emploi de conduit flexible. Un conduit flexible peut causer une rétropression et des turbulences de l'air, ce qui réduit considérablement la performance. La sortie à l'extérieur du circuit d'évacuation peut se faire à travers le toit ou à travers un mur. Pour la sortie à travers un mur, on doit employer un raccord coudé (90°).

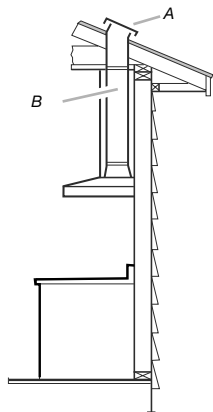
## Décharge Par l'arrière

Le raccord coudé à 90° peut être installé immédiatement au-dessus de la hotte.

## Installation sans décharge à l'extérieur (Recyclage)

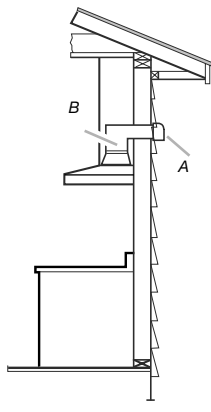
S'il n'est pas possible d'évacuer les fumées et vapeurs de cuisson à l'extérieur, on peut employer la version installation sans décharge à l'extérieur (recyclage) de la hotte, dotée d'un filtre à charbon et du déflecteur. Les vapeurs/fumées sont alors recyclées à travers la grille supérieure.

Décharge à travers le toit



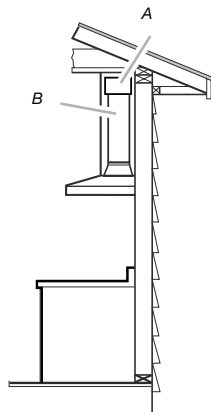
A. Bouche de décharge sur toit  
B. Conduit rond de 6" (15,2 cm)

Décharge à travers le mur



A. Bouche de décharge murale  
B. Conduit rond de 6" (15,2 cm)

Installation sans décharge à l'extérieur (recyclage)



A. Déflecteur  
B. Conduit rond de 6" (15,2 cm)

# Instructions d'installation

## Préparation de l'emplacement

- Il est recommandé d'installer le circuit d'évacuation avant de procéder à l'installation de la hotte.
- Avant d'exécuter les découpages, vérifier la disponibilité d'un dégagement suffisant dans le plafond ou le mur pour le conduit d'évacuation.
- Avant d'installer la hotte, mesurer la hauteur libre sous plafond et la hauteur maximum disponible sous la hotte.

1. Déconnecter la source de courant électrique.
2. Déterminer la méthode d'évacuation à utiliser: décharge à travers le mur ou le toit, ou recyclage.
3. Sélectionner une surface plane pour l'assemblage de la hotte. Placer le matériau de protection sur cette surface.

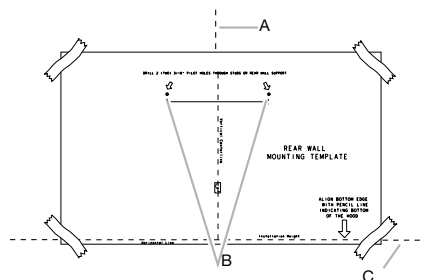
### AVERTISSEMENT

**POUR RÉDUIRE LE RISQUE D'INCENDIE, CHOC ÉLECTRIQUE OU DOMMAGES CORPORELS, RESPECTER LES INSTRUCTIONS SUIVANTES:**

4. À l'aide de deux personnes ou plus, soulever la hotte et la poser sur la surface couverte.

## Installation des vis de montage de la hotte

1. Déterminer et marquer la position de l'axe central sur le mur où la hotte sera installée.
2. Sélectionner une hauteur de montage comprise entre un minimum de 24" (61 cm) pour une surface de cuisson électrique, un minimum de 30" (76,2 cm) pour une surface de cuisson au gaz et un maximum suggéré de 36" (91,4 cm) entre le dessus de la cuisinière et le bas de la hotte. Marquer la ligne de repérage sur le mur.
3. Fixer le gabarit en place avec du ruban adhésif; aligner l'axe central du gabarit et le bas du gabarit avec la ligne correspondant au bas de la hotte, et avec l'axe central déjà tracé sur le mur.

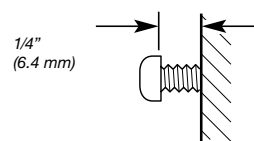


A. Axe central  
B. Emplacements des attaches  
C. Ligne de référence pour la hauteur de montage (bas de la hotte)

4. À l'aide du gabarit, marquer sur le mur le centre des attaches.

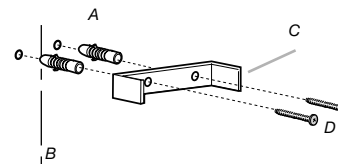
**IMPORTANT:** Toutes les vis de montage de la hotte en îlot doivent être vissées dans du bois où cela est possible. Si l'on ne peut pas visser les vis de montage de la hotte dans du bois, des tasseaux supplémentaires pour accrochage mural seront peut-être nécessaires.

5. Retirer le gabarit.
6. Pour bois, percer des avant-trous de 3/16" (4,8 mm) à tous les emplacements de pose des vis dans du bois.
7. Pour bois, installer les 2 vis de montage de 5 x 45 mm. Laisser un espace de 1/4" (6,4 mm) entre le mur et l'arrière de la tête de vis pour faire glisser la hotte et la mettre en place.



### Installation de la bride de cache-conduit

1. Fixer la bride du cache-conduit au mur en affleurement avec le plafond à l'aide de 2 vis Phillips n°2 de 5 x 45 mm.



A. 8 x 40 mm ancrages pour cloisons sèches  
B. l'axe central sur le mur  
C. Bride de support du cache-conduit  
D. Vis 5 x 45 mm

## Achever la Préparation

1. Déterminer et effectuer tous les découpages nécessaires dans le mur pour le passage du circuit d'évacuation. Installer le circuit d'évacuation avant la hotte. Voir la section "Exigences concernant l'évacuation".
2. Déterminer la hauteur appropriée pour le cordon d'alimentation du domicile et percer un trou de 1/4" (3,2 cm) à cet endroit.
3. Acheminer le câble d'alimentation du domicile selon les prescriptions du Code national de l'électricité, des normes CSA et des codes et règlements locaux. Il faut que la longueur du conduit de 1/2" et des conducteurs soit suffisante depuis le tableau de distribution (avec fusibles ou disjoncteurs) pour réaliser le raccordement dans le boîtier de connexion de la hotte.

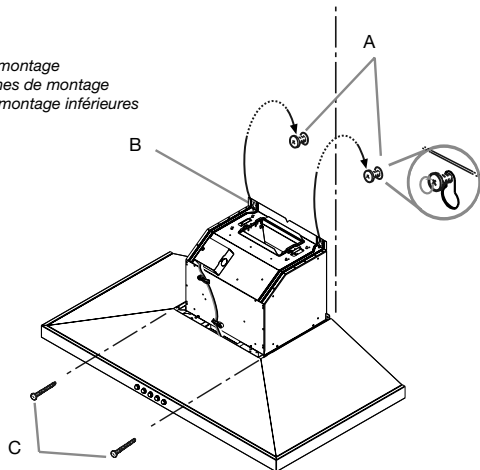
**REMARQUE:** Ne pas mettre le système sous tension avant d'avoir complètement terminé l'installation.

4. Utiliser un calfeutrant pour assurer l'étanchéité au niveau de chaque ouverture.

## Installation de la Hotte

1. À deux personnes au moins, suspendre la hotte aux 2 crochets de montage, à travers les encoches de montage à l'arrière de la hotte.

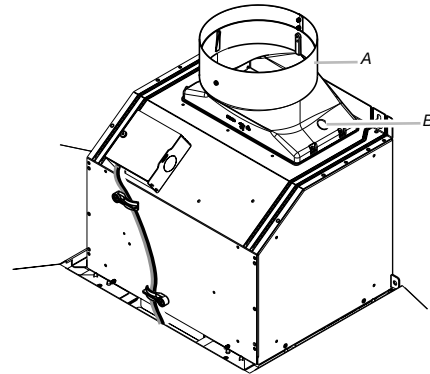
A. Vis de montage  
B. Encoches de montage  
C. Vis de montage inférieures



2. Mark avec un crayon les emplacements des trous inférieurs.
3. Désinstaller l'ensemble de la hotte et percer des trous pilotes de 3/16" (4,8 mm) aux emplacements marqués.
4. Remplacer le capot sur 2 haut les vis de montage.
5. Mettre la hotte de niveau et serrer les vis de montage supérieures.
6. Installer les 2 vis de montage Phillips n°2 inférieures de 5 x 45 mm et serrer.
7. Utiliser les pièces d'ancrage mural facultatives si nécessaire.

## Raccordement du circuit d'évacuation

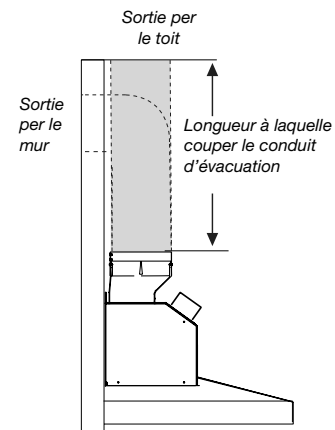
1. Installer le raccord de transition au sommet de la hotte (s'il a été enlevé pour expédition), avec 2 vis de 3,5 x 9,5 mm.



A. Raccord de transition  
B. Vis 3,5 x 9,5 mm

### Pour les installations avec décharge à l'extérieur uniquement:

1. Le circuit d'évacuation doit être installé par dessus la sortie d'évacuation.
2. Mesurer la distance entre le bas du déflecteur et le bas de la sortie de la hotte. Couper le conduit à la dimension mesurée.



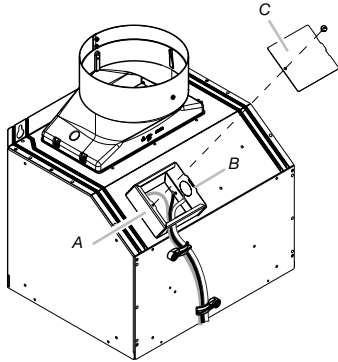
3. Serrer le raccord avec des brides de serrage.
4. Vérifier que les clapets anti-retour fonctionnent correctement.



# Connexion Électrique

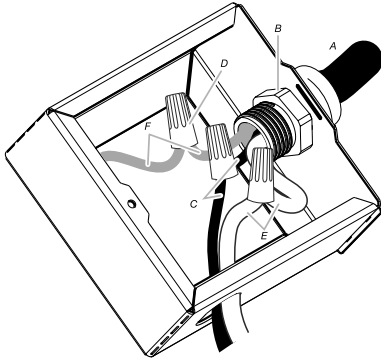
**AVERTISSEMENT: Risque de Choc Électrique**  
Déconnecter la source de courant électrique avant l'entretien.  
Replacer pièces et panneaux avant de faire la remise en marche. Le non-respect de ces instructions peut causer un décès ou un choc électrique.

1. Déconnecter la source de courant électrique.
2. Retirer le couvercle du boîtier de connexion.
3. Ôter l'opercule arrachable du boîtier de connexion et installer un serre-câble de 1/2" (homologation UL ou CSA).



A. Boîtier de connexion  
B. Opercule arrachable  
C. Couvercle du boîtier de connexion

4. Acheminer le cordon d'alimentation du domicile à travers le serre-câble, dans le boîtier de connexion.



A. Câble d'alimentation électrique du domicile  
B. Serre-câble (homologation UL ou CSA)  
C. Conducteurs noirs  
D. Connecteurs de fils (homologation UL)  
E. Conducteurs blancs  
F. Conducteurs verts (ou nus) ou vert-jaune de liaison à la terre

5. Connecter ensemble les conducteurs noirs (C) à l'aide de connecteurs de fils (homologation UL).
6. Connecter ensemble les conducteurs blancs (E) à l'aide de connecteurs de fils (homologation UL).

## AVERTISSEMENT: Risque de Choc Électrique

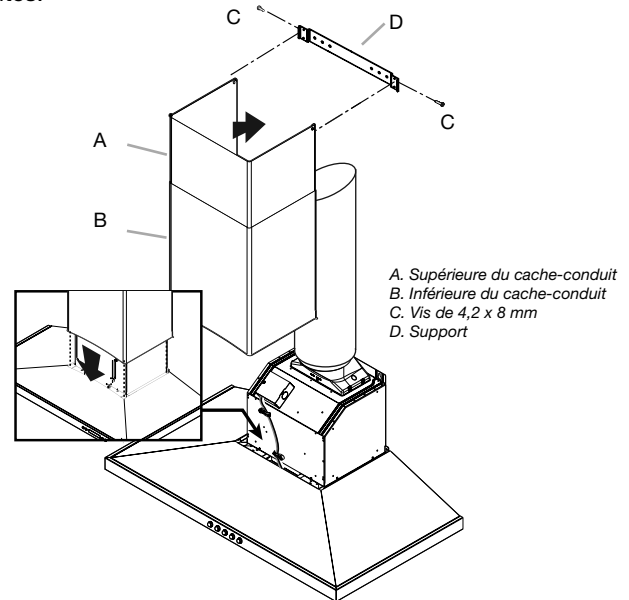
**AVERTISSEMENT: Risque de Choc Électrique**  
Déconnecter la source de courant électrique avant l'entretien.  
Replacer pièces et panneaux avant de faire la remise en marche. Le non-respect de ces instructions peut causer un décès ou un choc électrique.

7. À l'aide des connecteurs de fils (homologation UL), connecter le conducteur de liaison à la terre (vert ou nu) du câble d'alimentation du domicile au conducteur vert-jaune de liaison à la terre (F) dans le boîtier de connexion.
8. Serrer la vis du serre-câble.
9. Installer le couvercle du boîtier de connexion.
10. Reconnecter la source de courant électrique.

# Installation des Cache-conduits

En cas d'utilisation des sections supérieure et inférieure du cache-conduit, pousser la section inférieure vers le bas, sur la hotte et soulever la section supérieure vers le plafond et installer avec 2 vis de montage.

**REMARQUE:** Pour les installations avec décharge à l'extérieur, le cache-conduit supérieur peut être inversé pour dissimuler les fentes.



A. Supérieure du cache-conduit  
B. Inférieure du cache-conduit  
C. Vis de 4,2 x 8 mm  
D. Support

# Achever l'installation

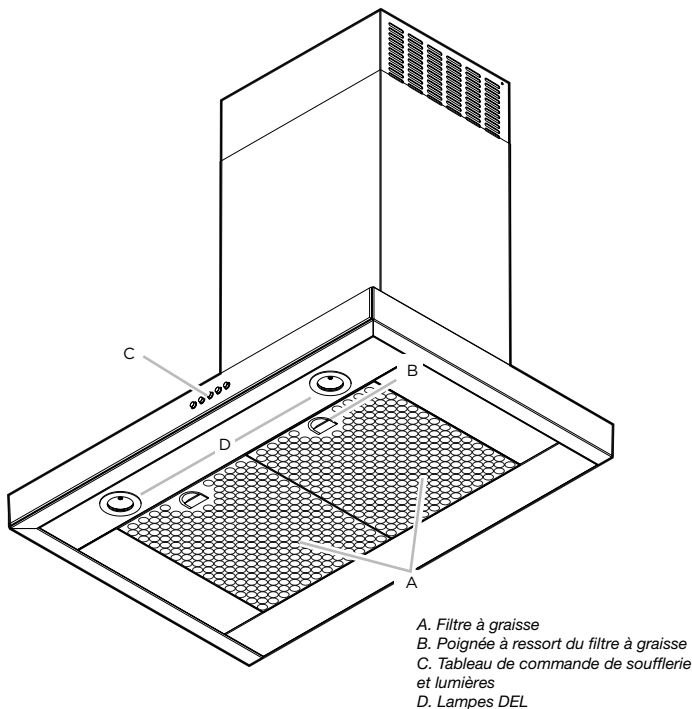
1. Pour les installations sans décharge à l'extérieur (recyclage) uniquement, installer les filtres à charbon sur le filtre à graisse métallique. Voir la section "Entretien de la hotte".
2. Installer les filtres métalliques. Voir la section "Entretien de la hotte".
3. Contrôler le fonctionnement de la hotte et de la lampe du ventilateur. Voir la section "Utilisation de la hotte".

**REMARQUE:** Pour pouvoir tirer le plus grand parti de la nouvelle hotte de cuisinière, lire la section "Utilisation de la hotte".

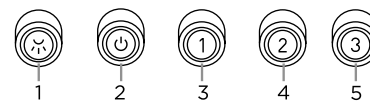
# Utilisation de la Hotte

La hotte de cuisinière est conçue pour extraire fumée, vapeurs de cuisson et odeurs de la zone de la table de cuisson. Pour obtenir les meilleurs résultats, mettre le ventilateur de la hotte en marche avant d'entreprendre une cuisson, et laisser le ventilateur fonctionner pendant plusieurs minutes après l'achèvement d'une cuisson pour pouvoir évacuer de la cuisine toute trace d'odeur de cuisson ou fumée.

Les commandes de la hotte sont situées à l'avant de celle-ci.



# Commandes



REMARQUE: Les boutons de commande s'allument lorsque la hotte est en marche.

## Utilisation de l'éclairage

Le bouton Light On/Off (1) permet de contrôler les deux lumières. Appuyez une fois pour allumer et une autre fois pour éteindre.

## Fonctionnement de la soufflerie

Le bouton Blower On/Off (2) permet d'activer ou de désactiver la soufflerie.

Les boutons de vitesse de la soufflante (3, 4 et 5) permettent de régler la vitesse souhaitée et de contrôler le niveau sonore pour un fonctionnement silencieux. La vitesse peut être modifiée à tout moment pendant le fonctionnement du ventilateur en appuyant sur le bouton de vitesse de soufflage souhaité.

1. Pour mettre le ventilateur en marche, appuyez sur la touche Blower On/Off (2) et sur la touche de vitesse souhaitée (3, 4 ou 5).
2. Pour arrêter le ventilateur, appuyez sur le bouton Blower On/Off (2).

N'importe lequel des 3 boutons de vitesse de la soufflerie peut être en position de marche en même temps. La soufflante fonctionnera à la vitesse la plus élevée qui est enfoncée. Pour réduire la vitesse de la soufflerie, il ne faut pas enfoncer les boutons de vitesse supérieure.

# Entretien de la Hotte

## Nettoyag

**IMPORTANT:** Nettoyer fréquemment la hotte et les filtres à graisse en suivant les instructions suivantes. Réinstaller les filtres à graisse avant de faire fonctionner la hotte.

### Surfaces Externes:

Afin d'éviter d'endommager la surface externe, ne pas utiliser de tampons en laine d'acier ou de tampons à récurer savonneux. Toujours essuyer pour éviter de laisser des marques d'eau.

### Méthode de Nettoyage:

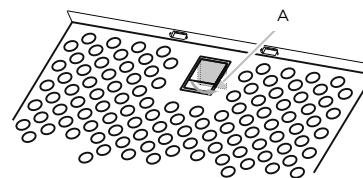
- Savon détergent liquide et eau, ou produit de nettoyage polyvalent.
- Frotter avec un chiffon doux humide ou une éponge non abrasive, puis rincer avec de l'eau propre et essuyer.
- Ne pas utiliser des produits de nettoyage contenant du chlore.

### Remplacement de la Lampe à DEL

Les lumières DEL sont remplaçables par un technicien de service seulement. Voir les informations de contact de service à la page suivante.

### Filtre à graisse en aluminium :

1. Retirez le filtre en tirant sur la poignée de libération à ressort, puis en tirant le filtre vers le bas.



2. Lavez les filtres à graisse en aluminium au besoin dans le lave-vaisselle ou dans une solution détergente chaude.
3. Réinstallez le filtre en vous assurant que les poignées de libération à ressort sont orientées vers l'avant. Insérez le filtre en aluminium dans le rail supérieur.
4. Enfoncez la poignée de libération du ressort.
5. Poussez le filtre en aluminium vers le haut et relâchez la poignée pour qu'il se verrouille en place.

Vous éprouvez des difficultés à assembler  
ce produit? parties manquantes?

**NE PAS RETOURNER AU MAGASIN!**

*Call Service Power*

**1-888-732-8018**

7 a.m. - 4 p.m. (heure du Pacifique), Lundi - Vendredi

ou écrire à: [elica@servicepower.com](mailto:elica@servicepower.com)

(inclure le nom de contact, modèle, Numéro de série, billet d'achat et le meilleur moment de vous contacter)

**pour toutes les pièces de rechange et des  
questions que vous pourriez avoir sur ce produit!**

**SERVICE** *Power*  
Service Made Simple

1503 South Coast Drive #320 Costa Mesa, CA 92626

**IMPORTANT: Enregistrer l'emballage d'origine si le retour est nécessaire.**

# GARANTIE

**POUR OBTENIR UN DEPANNAGE SOUS GARANTIE:  
ou des questions concernant les services, composez le:  
1-888-732-8018**

Agrafez votre reçu ici.  
Preuve de la date d'achat originale est  
nécessaire pour obtenir le service sous  
garantie.

**POUR OBTENIR UN DEPANNAGE SOUS GARANTIE: Le propriétaire doit présenter une preuve de la date d'achat. Garder une copie de votre preuve d'achat datée (ticket de caisse) de façon à pouvoir bénéficier du service après-vente sous garantie.**

## **Garantie pieces de rechange et main d'oeuvre:**

Pour la période d'un an à compter de la date de l'achat d'origine, nous vous fournirons gratuitement, des pièces ou des composants qui ont échoué en raison de défauts de fabrication non consommables. Au cours de cette garantie limitée d'un an, nous allons également fournir, gratuitement, tout le travail et le service à domicile pour remplacer la pièce défectueuse.

Pendant une période de un (1) ans à partir de la date d'achat, nous fournirons gratuitement les pièces de rechange ou les composants autres que les recharges ayant des défauts de fabrication.

Durant cette garantie de un (1) ans, nous vous fournirons également gratuitement, toute la main d'oeuvre et le service à domicile pour remplacer d'éventuelles pièces défectueuses.

## **Ce que la garantie ne couvre pas:**

- Dégât ou panne du produit causé par un accident ou un cas de force majeure tels que inondation, incendie ou tremblement de terre.
- Les dommages causés après l'accouchement.
- Dégât ou panne du produit causé par un remplacement des fusibles ou une remise en fonction des disjoncteurs par le propriétaire.
- Déplacement à domicile pour explication d'utilisation ou d'entretien.
- Ampoules, filtres métalliques ou au charbon et toute autre pièce consommable.
- Usure due à une mauvaise utilisation du propriétaire, un entretien incorrect, une utilisation de substances nettoyantes corrosives ou abrasives et produits de nettoyage pour four.

## **Cette garantie sera annulée lorsque:**

- Produit endommagé suite à une mauvaise installation et le non-respect des instructions d'installation, la livraison ou l'entretien.
- Dommage direct ou indirect causé par des défauts possibles avec cet appareil.
- Altération ou modification du produit qui peut causer des dommages au produit, ou le défaut de fonctionner conformément aux spécifications.
- Dommages à cause de mauvaise connexion avec des équipements d'autres fabricants.
- Une panne du produit si elle est la négligence, abusé, ou utilisé pour autre chose que le but recherché ou utilisé commercialement.
- Une mauvaise réparation, la modification ou l'entretien du Produit par des tiers autres que les Mandataires Autorisés.

## **Qui est Couvert:**

Cette garantie s'étend à l'acheteur original de produits achetés pour un usage domestique habituel en le 48 États Américains, Hawaii, Washington D.C. Alaska, Guam, Puerto Rico and et Virgin Islands.

Cette garantie n'est pas transférable et vaut uniquement pour l'acheteur original et ne s'étend pas aux propriétaires successifs du produit. Cette garantie vaut expressément en lieu et place de toute autre garantie, expresse ou sous-entendue, mais ne limite pas toute autre garantie sous-entendue de marchandage ou adaptation dans un but particulier et toute autre obligation de la part de Elicamex, étant entendu, cependant, que si la réclamation pour garanties sous-entendues n'est pas applicable aux yeux de la loi en vigueur, la durée de toute garantie sous-entendue émanant de la loi doit être limitée à un (1) ans à partir de la date d'achat du produit ou à une période plus longue selon ce que dit la loi en vigueur.

## **Qui Contacter**

Pour obtenir un Service Après-vente durant la Garantie ou pour toute autre Question liée au Service Après-vente, visitez la section de support sur le site ci-dessous:

[www.elica.com](http://www.elica.com)

Demandez à votre preuve de la date d'achat, prêt pour les questions de garantie.

---

## Tabla de Contenidos

Herramientas y Piezas	23
Dimensiones y Espacios Libres	23
Requisitos Eléctricos	24
Requisitos de Ventilación	24
Instrucciones de Instalación	25
Instalación de la Campana	26
Conexión del Sistema de Ventilación	26
Conexión Eléctrica	26
Instalación de las cubiertas del ducto	27
Complete la Instalación	27
Uso de la Campana	28
Control	28
Cuidado de la Campana	28
<b>GARANTÍA</b>	<b>30</b>

**APROBADO PARA APARATOS DE USO DOMÉSTICO  
SÓLO PARA USO DOMÉSTICO**

**LEA Y GUARDE ESTAS INSTRUCCIONES**

**ANTES DE CONTINUAR, LEA LAS INSTRUCCIONES POR  
COMPLETO.**

**LA INSTALACIÓN DEBE CUMPLIR CON TODA LA  
NORMATIVA LOCAL.**

**IMPORTANTE:** Guarde estas instrucciones para su uso por parte del inspector de electricidad local.

**INSTALADOR:** Entregue al propietario estas instrucciones con la unidad.

**PROPIETARIO:** Conserve estas instrucciones para futuras consultas.

**Advertencia de Seguridad:** Antes de realizar el cableado de este aparato, desactive el circuito de energía eléctrica en el panel de servicio y desbloquee el panel.

Requisito: Circuito Auxiliar de R120 VAC, 60 Hz. 15 ó 20 A

# INSTRUCCIONES IMPORTANTES DE SEGURIDAD

**ADVERTENCIA:** PARA REDUCIR EL RIESGO DE INCENDIOS, CHOQUE ELÉCTRICO O LESIONES A PERSONAS, OBSERVE LO SIGUIENTE:

- Use esta unidad sólo de la manera para la que fue diseñada por el fabricante. Si tiene preguntas, póngase en contacto con el fabricante.
- Antes de dar servicio o limpiar la unidad, apague el suministro de energía en el panel de servicio y bloquee los medios de desconexión del servicio para evitar que se encienda accidentalmente el suministro de energía. Cuando el medio de desconexión del servicio no se pueda bloquear, sujete de manera segura un dispositivo de advertencia prominente, como podría ser una etiqueta, al panel de servicio.
- La instalación y el cableado se debe llevar a cabo por una persona(s) calificada(s), de acuerdo con los códigos y estándares aplicables, incluida la construcción ignífuga.
- Es necesaria una ventilación suficiente para la correcta combustión y expulsión de gases por la salida de humos (chimenea) del equipo de combustión de carburante para evitar el contratiro. Siga las directrices de fabricantes de equipos de calefacción y los estándares de seguridad como los publicados por la National Fire Protection Association (NFPA), American Society for Heating, Refrigeration and Air Conditioning Engineers (ASHRAE) y las normativas locales.
- Al efectuar orificios en una pared o techo, no dañe el cableado eléctrico y otras instalaciones ocultas.
- Los conductos deben tener ventilación con salida al exterior.

**CUIDADO:** Para usarse sólo en ventilación común. No lo use para ventilar materiales y vapores peligrosos o explosivos.

**CUIDADO:** Para reducir el riesgo de incendio y para ventilar el aire adecuadamente, asegúrese de dirigir el conducto de ventilación hacia el exterior - no ventile el aire de salida a espacios dentro de paredes o techos, áticos, espacios angostos o garajes.

**ADVERTENCIA:** PARA REDUCIR EL RIESGO DE INCENDIO, SÓLO USE CONDUCTOS METÁLICOS.

**ADVERTENCIA:** No accione ningún motor o ventilador con el cable de conexión dañado. Deseche o regrese el dispositivo al servicio autorizado para ser examinado o reparado.

**ADVERTENCIA:** PARA REDUCIR EL RIESGO DE INCENDIO PROVOCADO POR GRASA EN LA SUPERFICIE DE LA ESTUFA:

- Nunca deje las unidades de superficie sin vigilancia cuando estén en ajustes altos. La cocción puede causar humo o reboses de grasa que pueden prender fuego. Caliente el aceite a fuego lento o medio.
- Siempre ENCIENDA la campana cuando cocine con calor alto o cuando flamee alimentos (por ejemplo, crepes Suzette, cerezas Jubileo y flameado de carne de res con pimienta).
- Limpie los ventiladores con frecuencia. No permita que la grasa se acumule en el ventilador o en el filtro.
- Use un tamaño de sartén adecuado. Siempre use utensilios de cocción que sean los adecuados para el tamaño del elemento de la superficie.

**ADVERTENCIA:** PARA REDUCIR EL RIESGO DE LESIONES A PERSONAS SI SE PRENDE FUEGO EN LA SUPERFICIE DE LA ESTUFA OCASIONADO POR GRASA, OBSERVE LO SIGUIENTE:<sup>a</sup>

- EXTINGA LAS LLAMAS con una tapa que encaje bien, una bandeja para galletas o una bandeja metálica y luego apague el quemador. TENGA CUIDADO PARA EVITAR QUEMADURAS. Si las llamas no se extinguen de inmediato, EVACUE Y LLAME AL DEPARTAMENTO DE BOMBEROS.
- NUNCA TOME UNA CACEROLA QUE ESTÉ ARDIENDO - podría quemarse.
- NO UTILICE AGUA, incluyendo paños para vajilla o toallas mojadas - podría ocurrir una explosión de vapor violenta.
- SÓLO use un extinguidor si:
  - Sabe a ciencia cierta que tiene un extinguidor de clase ABC y ya sabe cómo utilizarlo.
  - El incendio es pequeño y se encuentra contenido en el lugar en donde se inició.
  - Ha llamado al departamento de bomberos.
  - Puede apagar el fuego con su espalda mirando hacia una salida.

<sup>a</sup>Basado en "Consejos de seguridad para fuegos de cocina" publicado por NFPA.

**ADVERTENCIA:** A fin de reducir el riesgo de incendio o de choque eléctrico, no use este ventilador con ningún dispositivo semiconductor para el control de la velocidad.

## LEA Y GUARDE ESTAS INSTRUCCIONES

# Herramientas y Piezas

## Piezas Suministradas

### Remoción de la Confección

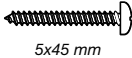
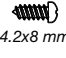
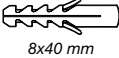

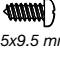
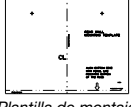
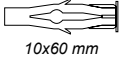
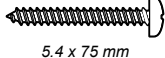
#### CUIDADO

Quite la caja cuidadosamente, use guantes para protegerse contra los bordes afilados.

#### ADVERTENCIA

Quite la película de protección que cubre el producto antes de ponerlo en funcionamiento.

- Ensamblaje del escudete para campana con ventilador y lámparas LED
- Ducto de escape redondo de metal de 6" (15.2 cm)
- Cubiertas para ducto
- Bolsa plástica con el siguiente contenido:

Pieza	Cantidad	Pieza	Cantidad
 5x45 mm	6	 4.2x8 mm	4
 8x40 mm	6	 Soporte de la cubierta del ducto	1
 3.5x9.5 mm	2	 Plantilla de montaje	1
 10x60 mm	4	 5.4 x 75 mm	4

### Herramientas/Materiales requeridos

- Nivel
- Taladro con brocas de 1¼" (3.2 cm), ½" (3.2 mm), y ¼" (4,8 mm)
- Lápiz
- Pelacables o cuchillo de uso general
- Cinta de medir o regla
- Pinzas
- Pistola para calafateo y masilla para calafateo a prueba de agua
- Abrazaderas para ducto de ventilación
- Sierra de vaivén o sierra caladora
- Destornillador de hoja plana
- Tijeras de hojalatero
- Destornillador Phillips y Torx 20

### Piezas necesarias

- Cable de suministro eléctrico doméstico
- Protector de cables de ½" (12.7 mm) que esté en la lista de UL o aprobado por CSA
- 3 conectores para cables que estén en la lista de UL

### Para instalaciones con ducto de escape, también necesitará:

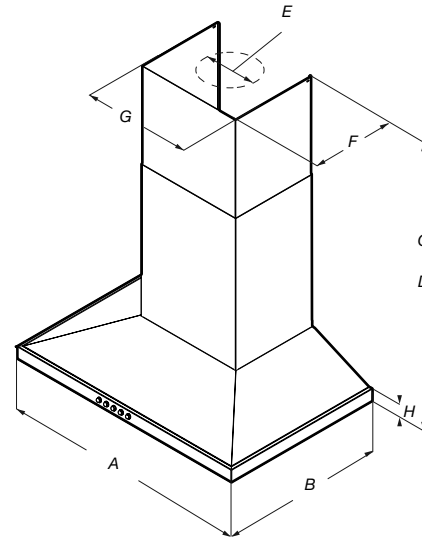
- 1 cubierta para pared o techo
- Sistema de ventilación metálico

## Piezas no Suministradas

### Accesorios Opcionales

Kit	# Pieza	Kit	# Pieza
Kit de Válvula de no retorno	KIT0102873	Kit de Reducción CFM	KIT02748
Kit Recirculante	KIT0102875	Kit de Extensión de Ducto-sKIT01935	

## Dimensiones y Espacios Libres



	ALS430SSB	ALS436SSB
A	30" (76 cm)	36" (91.2 cm)
B	19 <sup>1</sup> / <sub>16</sub> " (50 cm)	
C*	max. 42 <sup>9</sup> / <sub>16</sub> " (108.1 cm) min. 28 <sup>17</sup> / <sub>64</sub> " (71.8 cm)	
D**	max. 38 <sup>45</sup> / <sub>64</sub> " (98.3 cm) min. 24 <sup>39</sup> / <sub>64</sub> " (62.5 cm)	
E	6" (15.24 cm)	
F	10 <sup>19</sup> / <sub>32</sub> " (26.9 cm)	
G	13 <sup>5</sup> / <sub>64</sub> " (33.2 cm)	
H	1 <sup>37</sup> / <sub>64</sub> " (4 cm)	

\*Para instalaciones sin ducto de escape (recirculantes)

\*\*Para instalaciones con ducto de escape

# Requisitos Eléctricos

## IMPORTANTE

Observe todos los códigos y reglamentos aplicables.

Es la responsabilidad del propietario:

Contactar un instalador eléctrico calificado.

Asegurarse de que la instalación eléctrica es adecuada y en

conformidad con National Electrical Code, ANSI/NFPA 70

— última edición\* o CSA Standards C22.1-94, Canadian

Electrical Code, Parte 1 y C22.2 No.0-M91 — última edición\*\*

y toda la normativa y las ordenanzas locales.

Si la normativa lo permite y se utiliza un cable de toma a tierra independiente, se recomienda que un electricista calificado determine si la difracción de onda de tierra es la adecuada.

Una copia de las normas que se mencionaron anteriormente, se pueden obtener de:

National Fire Protection Association

1 Batterymarch Park

Quincy, MA 02169-7471

CSA International

8501 East Pleasant Valley Road

• Cleveland, OH 44131-5575

Se necesita un circuito eléctrico de 120 voltios, 60 hertzios, CA solamente, de 15 amperios y protegido con fusibles.

• Si la casa tiene cableado de aluminio, siga el procedimiento a continuación:

1. Conecte una sección de alambre de cobre sólido a los conductores flexibles.
2. Conecte el cableado de aluminio a la sección añadida de alambre de cobre usando conectores especiales y/o herramientas diseñadas y de la lista de UL para unir el cobre al aluminio.

Siga el procedimiento recomendado por el fabricante del conector eléctrico. La conexión de cobre/aluminio deberá hacerse en conformidad con los códigos locales y las prácticas de cableado aceptadas por la industria.

- Los tamaños de los cables y las conexiones deben cumplir de acuerdo con la clasificación del electrodoméstico, como se especifica en la placa de clasificación del modelo/de la serie. La placa del modelo/de la serie está ubicada detrás del filtro, en la pared posterior de la campana para cocina.
- El tamaño de los cables debe cumplir con los requisitos del National Electrical Code (Código Nacional Eléctrico), ANSI/ NFPA 70 (última edición) o las normas de CSA C22.1-94/Canadian Electrical Code (Código Canadiense de Electricidad), Parte 1 y C22.2 N° 0-M91 (última edición), y todos los códigos y ordenanzas locales.

# Requisitos de Ventilación

## (Modelos con ducto de escape solamente)

- El sistema de ventilación debe terminar en el exterior, excepto para las instalaciones sin ducto de escape (con recirculación).
- No dirija la salida del sistema de ventilación hacia el desván u otra área cerrada.
- No utilice una cubierta de pared de tipo para lavandería de 4" (10,2 cm).
- Utilice ducto de escape de metal únicamente. Se recomienda un ducto de escape de metal rígido. No se recomienda ducto de escape de plástico u hoja metálica.
- El largo del sistema de ventilación y el número de codos se deben mantener al mínimo para proveer un funcionamiento eficaz.

## Para obtener el funcionamiento más eficaz y silencioso:

No use más de 3 codos de 90°.

- Asegúrese de que haya un mínimo de 24" (61 cm) de ducto de escape recto entre los codos, si se utiliza más de 1 codo.
- No instale 2 codos lado a lado.
- Use abrazaderas para sellar todas las juntas en el sistema de ventilación.
- El sistema de ventilación debe tener una compuerta. Si la cubierta del techo o la pared tiene una compuerta, no use la compuerta provista con la campana de cocina.
- Utilice masilla de calafateo para sellar la abertura exterior de la pared o el techo alrededor de la cubierta.
- El tamaño del ducto de escape debe ser uniforme.

## Métodos de Ventilación

Esta campana con escudete se ha ajustado de fábrica para tener una ventilación a través del techo o de la pared.

Se requiere un sistema de ventilación redondo de 6" (15,2 cm) para la instalación (no incluido). La abertura de ventilación de la campana es redonda, de 6" (15,2 cm).

**NOTA:** No se recomienda el uso de ductos de escape flexibles. Los ductos de escape flexibles crean contrapresión y turbulencia de aire, lo cual reduce el desempeño en gran medida. El sistema de ventilación debe terminar a través del techo o la pared. Para colocar el ducto a través de la pared, se necesita un codo de 90°.

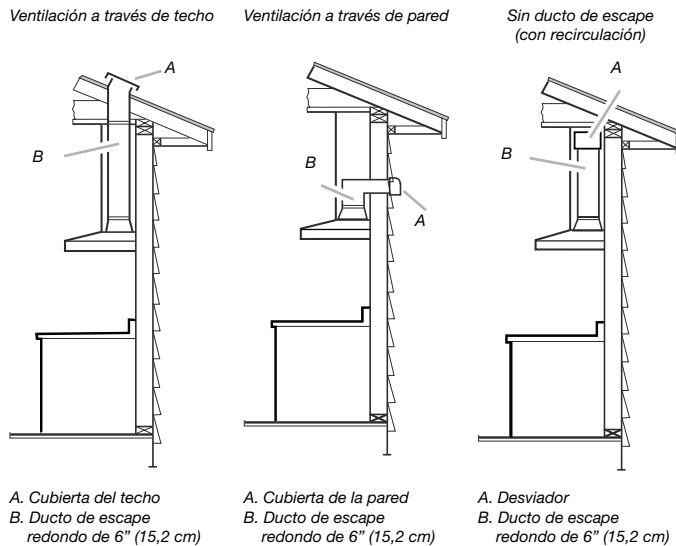
## Descarga Posterior

Se puede instalar un codo de 90° justo arriba de la campana.



## Para las instalaciones sin ducto de escape (Con Recirculación)

Si no es posible ventilar el humo y los vapores de la cocción al exterior, la campana puede usarse en la versión sin ducto de escape (con recirculación), colocando un filtro de carbón y el desviador. El humo y los vapores son reciclados a través de la parte superior de la rejilla.



# Instrucciones de Instalación

## Preparación de la Ubicación

- Se recomienda que el sistema de ventilación sea instalado antes de que se instale la campana.
- Antes de hacer los recortes, asegúrese que haya suficiente espacio libre dentro del techo o la pared para el ducto de escape.
- Revise la altura de su techo y la altura máxima de la campana antes de seleccionarla.

1. Desconecte el suministro de energía.
2. Decida qué método de ventilación usar: a través del techo, de la pared o sin ducto.
3. Seleccione una superficie plana para ensamblar la campana para cocina. Cubra dicha superficie.

### ADVERTENCIA

### PARA REDUCIR RIESGO DE INCENDIO, CHOQUE ELÉCTRICO O LESIONES A PERSONAS, OBSERVE LO SIGUIENTE:

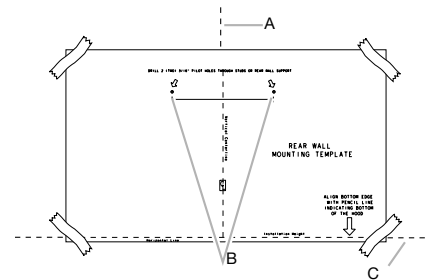
4. Con la ayuda de 2 ó más personas, levante la campana de cocina y colóquela en la superficie cubierta.

## Instalación de los tornillos de montaje de la campana

1. Determine y marque la línea central en la pared en donde se instalará la campana con escudete. Desconecte el suministro de energía.
2. Seleccione una altura de montaje entre un mínimo de 24" (61 cm) para una superficie de cocción eléctrica, un mínimo de 30" (76.2 cm) para una superficie de cocción a gas y un

máximo sugerido de 36" (91.4 cm) por encima de la estufa hasta la base de la campana. Marque una línea de referencia en la pared.

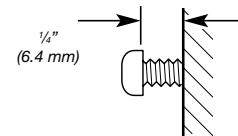
3. Pegue la plantilla con cinta adhesiva en su lugar, alineando la línea central y la parte inferior de la misma con la línea de la base de la campana y con la línea central marcada en la pared.



4. Marque los centros de las ubicaciones de los ajustadores a través de la plantilla en la pared.

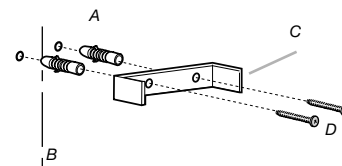
**IMPORTANTE:** Todos los tornillos de montaje de la campana deben instalarse en madera donde sea posible. Si no hay madera para instalar tornillos, es posible que se requieran soportes de marco de madera adicionales.

5. Retire la plantilla.
6. Taladre orificios piloto de  $\frac{3}{16}$ " (4.8 mm) en todas las ubicaciones donde se vayan a instalar los tornillos en madera.
7. Instale los 2 tornillos de montaje de 5 x 45 mm. Deje un espacio de  $\frac{1}{4}$ " (6.4 mm) entre la pared y la parte posterior de la cabeza del tornillo para deslizar la campana de cocina en su lugar.



### Instalación del soporte de la cubierta del ducto

1. Sujete el soporte de la cubierta del ducto a la pared alineado con el techo usando 2 tornillos de 5x45 mm.



### Complete la Operación

1. Determine y haga todos los cortes necesarios en la pared para el sistema de ventilación. Instale el sistema de ventilación antes de instalar la campana. Vea la sección "Requisitos de ventilación".
2. Determine la altura necesaria para el cable de suministro eléctrico de la casa y taladre un orificio de  $1\frac{1}{4}$ " (3.2 cm) en esa ubicación.
3. Haga pasar el cable de suministro de energía de la casa según las normas del National Electrical Code (Código Nacional eléctrico) o CSA (Asociación de normalización Canadiense) y los códigos y ordenanzas locales. Debe haber suficiente conducto de  $\frac{1}{2}$ " y alambres de la caja de

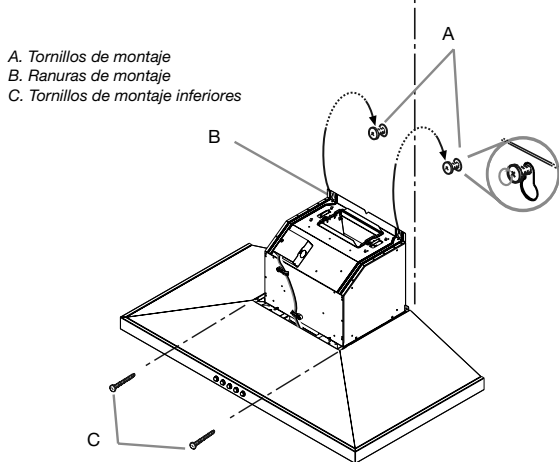
desconexión con fusible (o cortacircuitos) para hacer la conexión en la caja eléctrica de terminales de la campana.

**NOTA:** No restablezca la electricidad hasta que se complete la instalación.

4. Use masilla de calafateo para sellar todas las aberturas.

## Instalación de la Campana

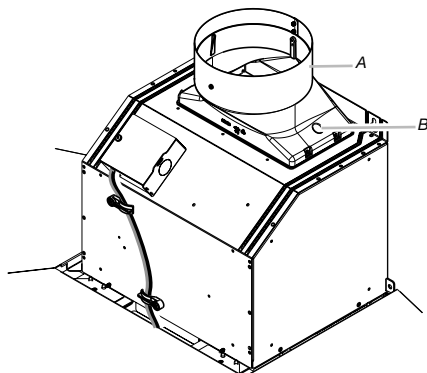
1. Con la ayuda de dos ó más personas, cuelgue la campana para cocina sobre 2 tornillos de montaje a través de las ranuras de montaje que están sobre la parte posterior de la campana.



2. Señale con un lápiz las ubicaciones de los agujeros inferiores.
3. Desinstale el ensamblaje de la campana y taladre orificios piloto de  $\frac{3}{16}$ " (4.8 mm) en las ubicaciones marcadas.
4. Coloque de nuevo la campana de cocina en 2 tornillos de montaje superiores.
5. Nivele la campana para cocina y apriete los tornillos de montaje superiores.
6. Instale 2 tornillos de montaje inferiores de 5 x 45 mm y apriételos. Use los taquetes de pared optativos si es necesario.

## Conexión del Sistema de Ventilación

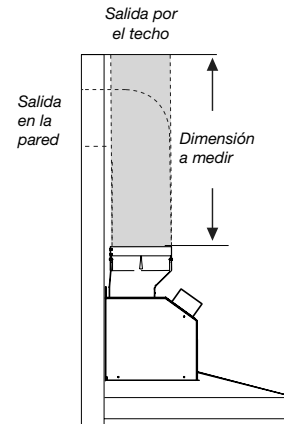
1. Instale la pieza de transición encima de la campana (si se ha quitado para el envío) con 2 tornillos para lámina metálica de 3.5 x 9.5 mm.



A. Transición  
B. Tornillos de 3.5 x 9.5

**Solamente para las instalaciones con ducto de escape:**

1. Haga encajar el sistema del ducto de escape sobre la salida de escape.
2. Mida desde la parte inferior del desviador de aire hasta la parte inferior de la salida de la campana. Corte el ducto al tamaño medido.



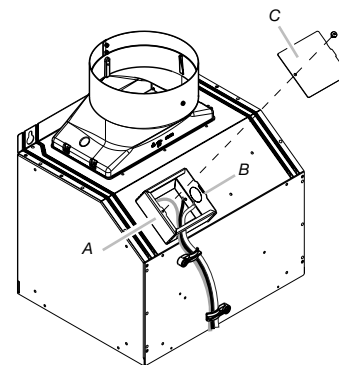
3. Selle la conexión con las abrazaderas.
4. Verifique que las compuertas de contratiro funcionen adecuadamente

## Conexión Eléctrica

**ADVERTENCIA: Peligro de Choque Eléctrico**  
Desconecte el suministro de energía antes de darle mantenimiento.

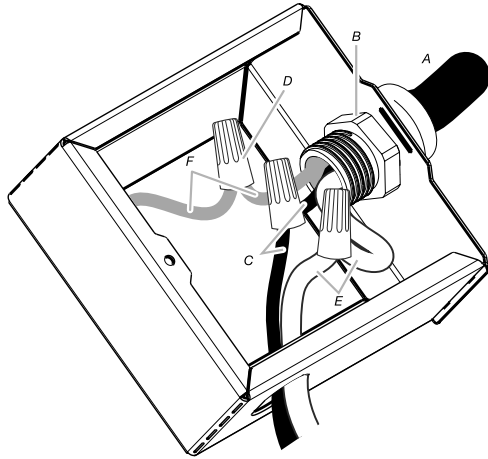
**Vuelva a colocar todos los componentes y paneles antes de hacerlo funcionar. No seguir estas instrucciones puede ocasionar la muerte o choque eléctrico.**

1. Desconecte el suministro de energía.
2. Retire la caja de terminales.
3. Quite el disco removible que está en la caja de terminales e instale un protector de cables de  $\frac{1}{2}$ " que esté en la lista de UL o esté aprobado por CSA.



A. Caja Eléctrica  
B. Disco Removible  
C. Cubierta de la Caja Eléctrica

- Haga pasar el cableado de suministro de energía doméstico a través del protector de cables, dentro de la caja de terminales.



A. Cable de suministro de energía doméstico  
 B. Protector de cables que esté en la lista de UL o aprobado por CSA  
 C. Cables negros  
 D. Conectores de cables aprobados por UL  
 E. Cables blancos  
 F. Cables verdes (o desnudos) y amarillos - verdes de puesta a tierra

- Use conectores de alambres que estén en la lista de UL y conecte los alambres negros (C) juntos.
- Use conectores de alambres que estén en la lista de UL y conecte los alambres blancos (E) juntos.

**ADVERTENCIA: Peligro de Choque Eléctrico**  
**Conecte el soplador a tierra.**

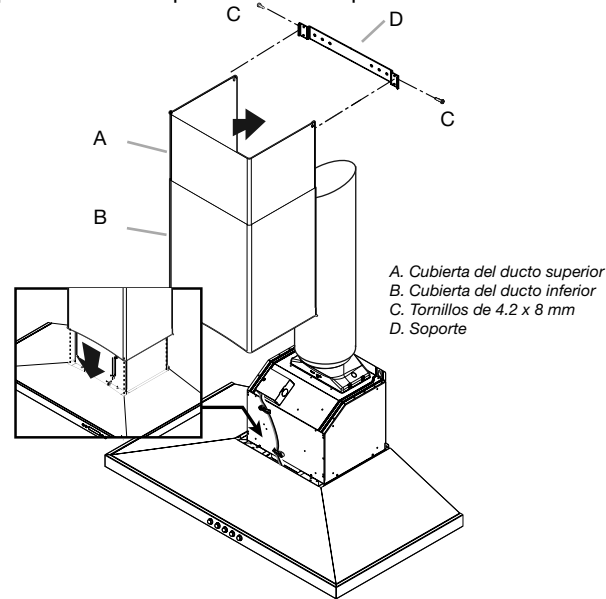
**Conecte el alambre de tierra al alambre verde y amarillo de conexión a tierra en la caja de terminales. No seguir estas instrucciones puede ocasionar la muerte o choque eléctrico.**

- Conecte el alambre verde (o desnudo) de puesta a tierra del suministro de energía doméstico al alambre amarillo - verde de puesta a tierra (F) en la caja de terminales usando conectores de alambres que estén en la lista de UL.
- Apriete el tornillo del protector de cables.
- Instale la cubierta de la caja de terminales.
- Reconecte el suministro de energía.

## Instalación de las cubiertas del ducto

Cuando use ambas cubiertas del ducto de escape (superior e inferior), empuje la cubierta inferior hacia abajo, sobre la campana y levante la cubierta superior hacia el techo e instale con 2 tornillos de montaje.

**NOTA:** Para las instalaciones con ducto de escape, la cubierta superior del ducto puede invertirse para ocultar las ranuras.



A. Cubierta del ducto superior  
 B. Cubierta del ducto inferior  
 C. Tornillos de 4.2 x 8 mm  
 D. Soporte

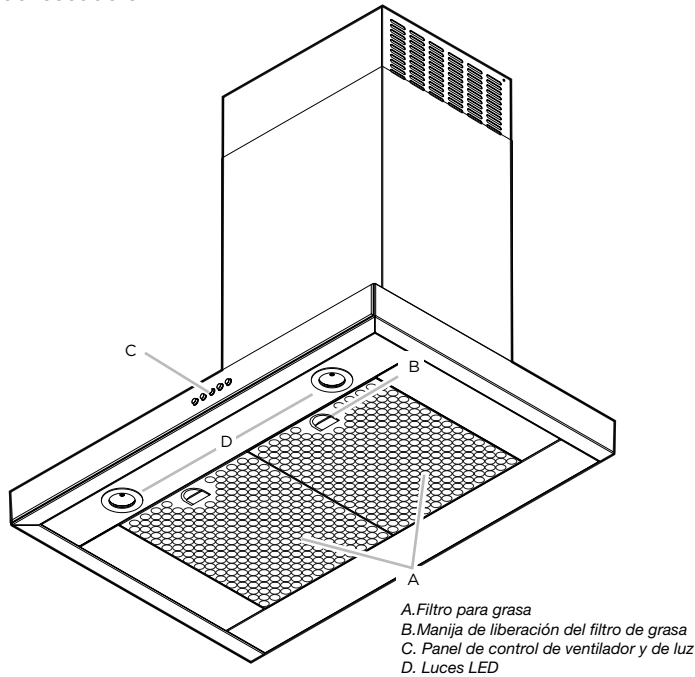
## Complete la Instalación

- Solamente para las instalaciones sin ventilación (con recirculación), instale los filtros de carbón sobre el filtro de metal para grasa. Consulte la sección "Cuidado de la campana".
  - Instale los filtros de metal. Consulte la sección "Cuidado de la campana".
  - Verifique el funcionamiento del soplador de la campana para cocina y la luz. Consulte la sección "Uso de la campana".
- NOTA:** Para obtener un uso más eficaz de su nueva campana de cocina, lea la sección "Uso de la campana".

# Uso de la Campana

La campana para cocina se ha diseñado para remover humo, vapores provenientes de la cocción y olores del área de la superficie de cocción. Para obtener mejores resultados, encienda la campana antes de cocinar y permita que funcione por varios minutos después de haber cocinado, para que quite todo el humo y los olores de la cocina.

Los controles de la campana están ubicados en el lado frontal del escudete.



# Cuidado de la Campana

## Limpieza

**IMPORTANTE:** Limpie con frecuencia la campana y los filtros para grasa de acuerdo a las instrucciones a continuación. Vuelva a colocar los filtros para grasa antes de poner a funcionar la campana.

### Superficies Exteriores:

Para evitar daños a la superficie exterior, no use estropajos de acero ni jabonosos.

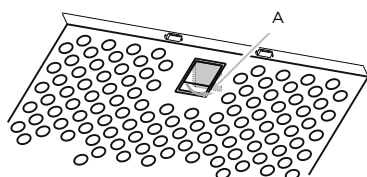
Siempre séquela con un paño para evitar manchas de agua.

### Método de Limpieza:

- Detergente líquido y agua o producto de limpieza general.
- Límpielo con un paño suave húmedo o una esponja no abrasiva, enjuáguelo con agua limpia y séquelo con un paño.
- No use productos de limpieza que contengan cloro.

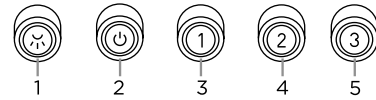
### Filtro de Metal para Grasa:

1. Para quitar el filtro, jale la manija de liberación con resorte y jale el filtro hacia abajo.



A. Manija de liberación con resorte

# Control



1. Botón de encendido/apagado de la luz
2. Botón de encendido/apagado del motor
3. Botón de velocidad mínima del motor
4. Botón de velocidad media del motor
5. Botón de velocidad máxima del motor

**NOTA:** Los botones de control se iluminan cuando la campana extractora está encendida.

## Funcionamiento de la luz

El botón de encendido/apagado de la luz (1) controla ambas luces. Pulse una vez para encenderla y otra para apagarla.

## Funcionamiento del motor

El botón de Encendido/Apagado del soplador (2) enciende o apaga el soplador.

Los botones de velocidad del motor (3, 4 y 5) ajustan la velocidad deseada y controlan el nivel de sonido para un funcionamiento silencioso. La velocidad puede cambiarse en cualquier momento durante el funcionamiento del ventilador pulsando el botón de velocidad del motor deseado.

1. Para encender el motor, pulse el botón de encendido/apagado del ventilador (2) y el botón de velocidad deseado (3, 4 o 5).
1. Para apagar el motor, pulse el botón de encendido/apagado del ventilador (2).

Cualquiera de los 3 botones de velocidad del motor puede estar en la posición de encendido al mismo tiempo. El motor funcionará a la velocidad más alta que se haya pulsado. Para velocidades más bajas del motor, los botones de velocidad más altos no deben ser presionados.

2. Lave los filtros de metal cuando sea necesario en la lavavajillas o con una solución caliente de detergente
3. Vuelva a instalar el filtro asegurándose de que las manijas de liberación con resorte estén mirando hacia el frente. Inserte el filtro de aluminio dentro de la guía superior.
4. Empuje hacia dentro la manija de liberación con resorte.
5. Empuje el filtro de metal hacia arriba y suelte la manija para que se traben en su lugar.

## Reemplazo de Lámpara LED

Los luces LED son reemplazables sólo por un técnico de servicio. Para obtener información de contacto del servicio, lea la información de la página siguiente.

¿Tiene problemas con el montaje de su producto? ¿Faltan piezas?

**¡NO LO REGRESE A LA TIENDA!**

*Call Service Power*

**1-888-732-8018**

entre las 7 a.m. y las 4 p.m. (Horario del Pacífico), Lunes - Viernes

o escriba a: [elica@servicepower.com](mailto:elica@servicepower.com)

(incluya un nombre de contacto, modelo, número serial, ticket de compra y la hora en la que preferiría que se le contacte)

**¡para todas las piezas de reemplazo y cualquier duda que tenga acerca de este producto!**

**SERVICE***Power*  
Service Made Simple

1503 South Coast Drive #320 Costa Mesa, CA 92626

**IMPORTANTE: Guarde el empaque original en caso de que sea necesario el retorno del producto.**

# GARANTÍA

OBTENER SERVICIOS BAJO GARANTÍA:  
O cualquier Pregunta Relacionada con los  
Servicios, por favor, llame: 1-888-732-8018

Engrape su recibo aquí.  
Como demostración de la adquisición, es  
necesaria la fecha, para cualquier servicio  
bajo garantía.

**OBTENER SERVICIOS BAJO GARANTÍA: Usted debe presentar una prueba de la fecha original de adquisición. Conserve una copia de su nota de compras con fecha, para obtener servicios bajo garantía.**

## Garantía de componentes y servicio:

Por un periodo de un año desde la fecha original de compra, ofreceremos sin costo alguno, el reemplazo de piezas no consumibles o componentes que han fallado debido a defectos de fabricación. Durante este año de garantía limitada, también ofreceremos sin costo alguno, la mano de obra y el servicio en su domicilio para reemplazar la parte defectuosa.

## Lo que no cubre:

- Daños a la campana ocasionados por inundaciones, actos de Dios, fuego y accidentes.
- Daños causados después de la entrega.
- Reemplazo de fusibles o el reajuste de la caja de contactos del circuito eléctrico.
- Viajes de servicio a su domicilio para enseñarle a usar o instalar el producto.
- Lámparas, filtros de grasa, filtros de carbón y otras partes consumibles.
- El desgaste natural del acabado, así como el desgaste ocasionado por el mantenimiento inadecuado, el uso de productos para limpieza corrosivos y abrasivos, y otros limpiadores para hornos.

## Esta Garantía será anulada cuando:

- El producto ha sido dañado debido a una instalación inadecuada y no haber seguido las instrucciones para su instalación, traslado o mantenimiento.
- Daños Incidentales o de consecuencia causados por posibles defectos de este electrodoméstico.
- Daños por alteración o modificación, al producto que puedan causar fallas en la operación de acuerdo con las especificaciones funcionales.
- Daños debidos a conexiones inapropiadas con equipos de otros fabricantes.
- Daños al producto por ser usado con negligencia, abuso, uso indebido o utilizado para otros propósitos al cual fue fabricado, o bien uso comercial.
- Reparaciones, modificaciones o servicios inadecuados realizados al producto por agentes no autorizado

## Quién está cubierto:

Esta garantía se extiende al comprador original para productos comprados para uso doméstico en los 48 estados principales de los Estados Unidos de América, Hawaii, Washington D.C., Alaska, Guam, Puerto Rico y las Islas Vírgenes.

Esta garantía es intransferible y aplica solamente para el comprador original y no se extiende a los propietarios subsecuentes de este producto. La presente garantía sustituye expresamente cualquier otra garantía, ya sea expresa o implícita, incluyendo, sin limitar, todas las garantías implícitas de comerciabilidad o idoneidad para un fin concreto, así como todas las demás obligaciones a cargo de Elicamex. Sin embargo, en caso de que la renuncia a las garantías implícitas resultara inaplicable de acuerdo a la ley vigente, la vigencia de cualquier garantía implícita derivada de la aplicación de la ley será limitada a un periodo de 1 (un) año, contado a partir de la fecha de compraventa originaria al menudeo, o por un periodo mas amplio en caso de que éste último sea previsto por la ley aplicable.

Esta garantía no cubre ningun daño especial, fortuito y/o consecuente, ni la pérdida de beneficios, sufridos por el comprador original, de sus clientes y/o de los usuarios del producto.

## A quién contactar:

Para obtener servicio bajo la garantía o por cualquier servicio relacionado a dudas o preguntas, por favor visite la sección de soporte en la página web que se muestra a continuación:

[www.elica.com](http://www.elica.com)

Tenga su comprobante de compra con la fecha, lista para cuestiones de garantía.



