



LIVORNO | Wall-Mount Range Hood

Technology and design

SKU: ALV630SSA, ALV636SSA
CATEGORY: Wall-Mount

The clean lines, beautifully angled canopy and stainless steel finish of the Livorno Range Hood, makes a striking visual statement. With a modern black panel touch control it compliments any contemporary kitchen decor. Livorno features include a powerful 600 CFM blower, dishwasher-safe stainless steel baffle slot filters and safety and long life efficient LED lighting to set the right mood.



2 LED lamps with dimmable option that safely illuminates the cooking area.



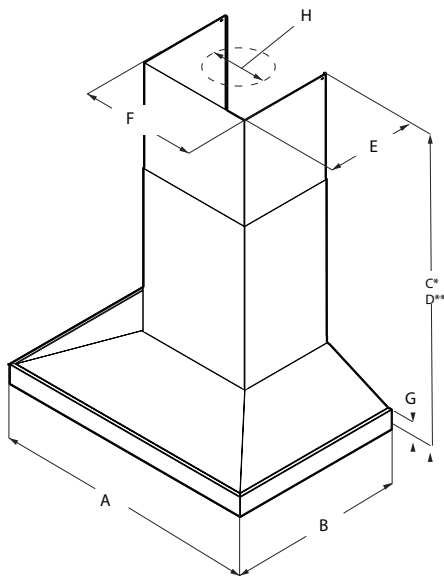
Black panel touch control with 3- speed + booster.



Dishwasher-safe, stainless steel Baffle slot filters.

FEATURES

Size (in)	30, 36"	
Dimensions	30"/36"W x 19-11/16"D x Min: 25-7/16" Max: 43 5/16"H	
Finish	Stainless Steel	
Controls	Black panel touch control	
Illumination	2 LED lamps (700 mA & 2.1 W , 4000 Kelvin and 180 Lumens / Lamp) Dimmable lighting	
Blower Performance**	600 CFM, 3-Speed Internal Blower+ booster Min 1.5 - Max 6.8 sones (Noise)	
Filter Type	2 for 30", 3 for 36", Dishwasher-Safe, Anodized Stainless Steel Baffle Slot Filters.	
Duct Transition	6" Round (Top)	
Electrical	120V - 60 Hz 450 Watts at 2.2 Amps	
Telescopic Chimney	For ceiling heights 7'0" - 9'2" (ducted out) & 7'5" - 9'6" (recirculating)	
Accessories	KIT0141925 KIT02785 KIT01935	Recirculating Kit - contains 6" deflector and 4 flat carbon filters Chimney Extension (reaches ceilings 8'8"-12'4" ducted & 9'0"-12'8" recirculating) Chimney Extension (reaches ceilings 7'9"-10'9" ducted & 8'1"-11'1" recirculating)



	ALV630SSA	ALV636SSA
A	30" (76 cm)	36" (91.54 cm)
B	19 11/16" (50 cm)	
C*	min. 29 1/8" (74 cm) max. 43 5/16" (110 cm)	
D**	max. 25 7/16" (64.61 cm) min. 39 1/4" (99.6 cm)	
E	10 3/8" (26.9 cm)	
F	13 1/8" (33.3cm)	
G	2 3/8" (6 cm)	
H	6" (15.24cm)	

*For non-vented (recirculating installations)

**For vented installations

DESIGNED IN ITALY, MADE IN NORTH AMERICA

**Two (2) Years Warranty
Parts & In-Home Labor.**

* The product images shown are for illustration purposes only and may not be an exact representation of the product.

** Blower performance indicates the performance of the blower by itself. Performance claims are not AHAM certified but were established in accordance with HVI Standardized test procedure. For Certified Ratings, please refer to AHAM Certified Product Directory. Electric Ratings are declared according to UL. High Speed 400 CFM, 7.0 sones (6" vertical) Working Speed 170 CFM, 1.5 sones (6" vertical)