



SPECIFICATIONS

COS-DIC304 Cooktop



Size	30 Inch
Installation	Drop-In
Fuel	Gas
Controls	Metal Constructed Knobs
Material	304 Stainless Steel
Electrical	120V / 60Hz
Certifications	ETL Listed
Included Components	Hardware, Install Kit, Power Cord, User Manual
Burners	<ul style="list-style-type: none">• Left Front / 18,000 BTU• Left Rear / 12,000 BTU• Right Front / 9,000 BTU• Right Rear / 9,000 BTU

COS-DIC304

Cosmo's COS-DIC304 Gas Cooktop features 4 Italian-made burners that allow you to cook from a high heat to a low simmer for the most delicate sauces. A powerful 18,000 BTU burner allows you to cook faster while maintaining performance for frying or searing.

Features

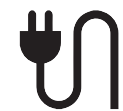
- Designed for drop-in installation
- 4 sealed Italian-made gas burners
- Electronic ignition
- Stainless steel surface
- Heavy-duty cast iron grates
- Removeable 3-prong plug



Italian-Made Burners



Metal Knobs



3-Prong Plug

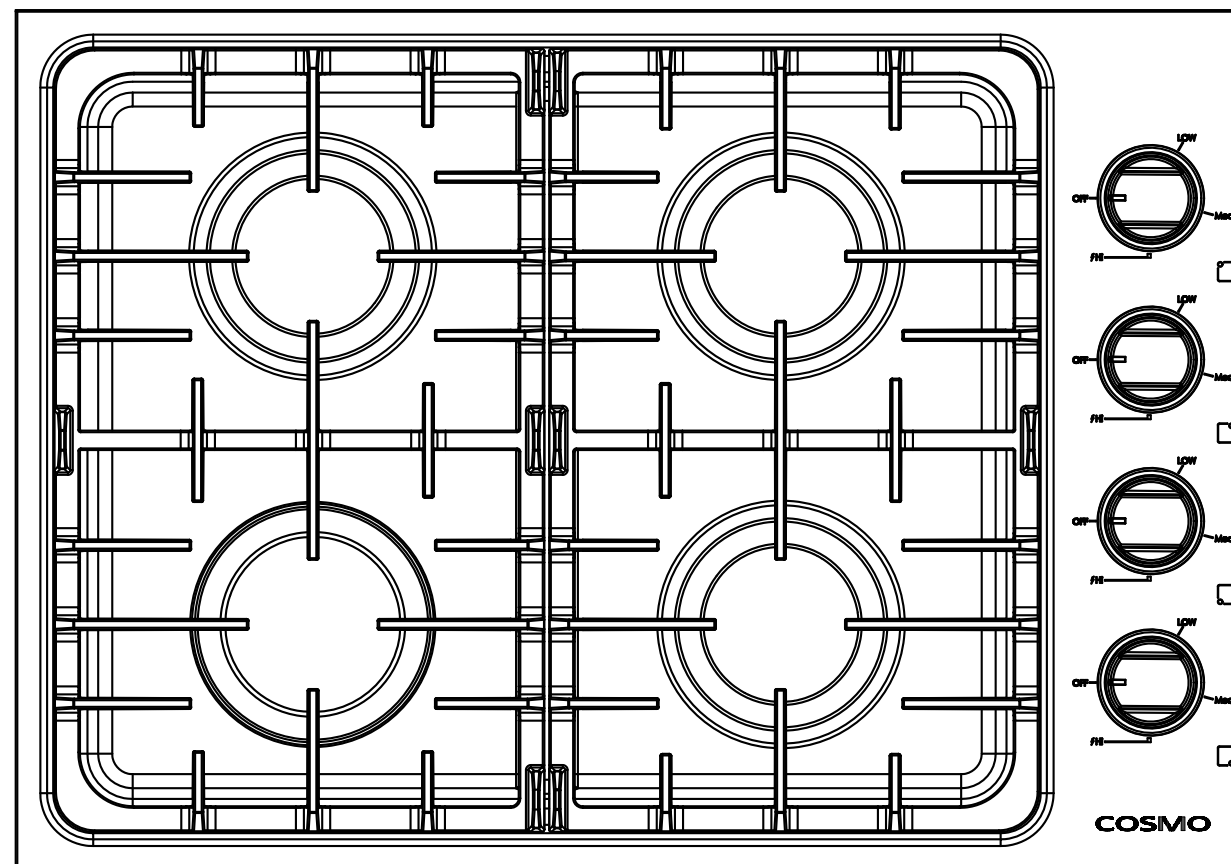
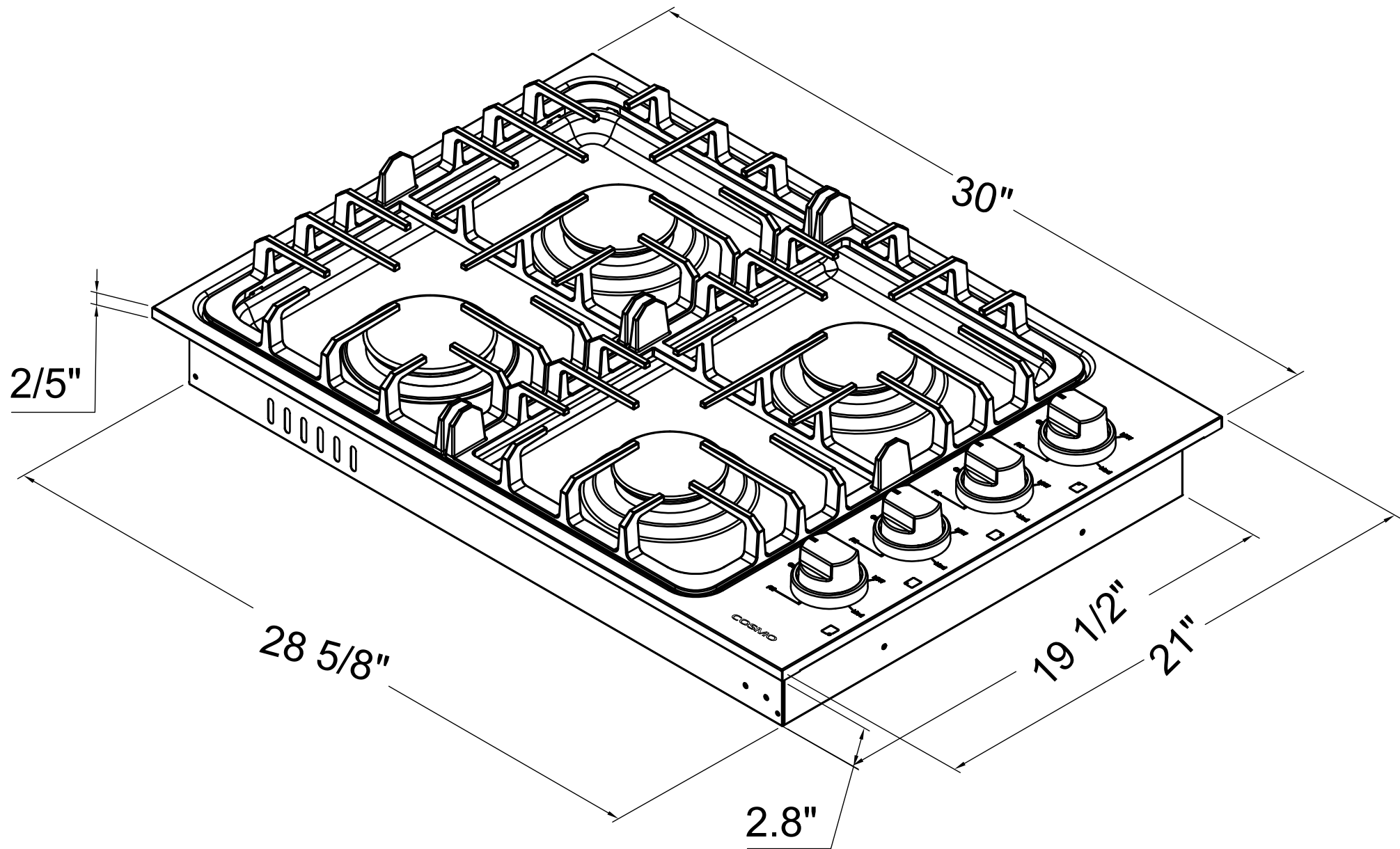


See Page 2 for dimensions



DIMENSIONS

COS-DIC304 Cooktop



Dimensions (WxDxH): 30" x 21" x 2.84"