

FOTILE

RANGE HOOD

User Manual | EMS9016/EMS9017/EMS9018

Please read carefully about the user manual before using the product.
And keep it well after reading, for future reference.

Honorable guest, thank you for your choice of FOTILE products. Please read through the manual to be familiar with the correct operation norms and enjoy the cooking.

FOTILE promise is making our home better. It is our duty to let you satisfy with FOTILE products. Please read the user manual carefully before using it, and operate it complying with the manual requests. The manual description is important to keep the product a good working condition. And you will lose the free warranty right if the product is failed to use due to your improper use, thus any direct or indirect free warranty certificate will be rejected by FOTILE authorized service center. Meanwhile, we suggest you contact FOTILE service center when the product need to be repaired no matter within or exceed the warranty period. FOTILE star-level service goal is to make customers fully satisfied by our tireless efforts.

CONTENTS

| | |
|---|----|
| Warning and Safety Instructions | 1 |
| Usage | 3 |
| Operation Instruction | 4 |
| Cleaning and Maintenance | 9 |
| Normal Malfunction and Trouble Shooting | 10 |
| Installation | 11 |
| Packing List | 11 |
| Installation Methods | 11 |
| Installation Suggestions | 12 |
| Installation Steps | 15 |
| Debugging | 16 |
| Main Technical Specifications | 17 |
| Component Name Diagram | 17 |

READ AND SAVE THESE INSTRUCTION

Warning and Safety Instructions

- ◇ To avoid any accidental risks or damages to the range hood, please read this user's manual carefully before initial installation and use.
- ◇ Make sure that the actual voltage and frequency are accorded with the ones clarified in this user's manual to avoid any possible damages to the range hood.
- ◇ The range hood is for residential use only.
- ◇ Caution: For general ventilating use only. Do not use to exhaust hazardous or explosive materials and vapors.
- ◇ Unplug or disconnect the appliance from the power supply before servicing.

■ Environmental Protection

1. Packing materials like absorption film, polystyrene and plastics may cause suffocation, so please keep them away from the reach of infants and children.
2. Dispose the packing materials properly.
3. The replaced appliance should be sent to the local reclamation depot or recycling center. Keep children away from those places to ensure their safety. The electric wire of the appliance should be cut off to avoid misuse.

■ Mechanical Safety

1. Please use standard accessories provided by our company to ensure safe installation. (Make sure to use the expansion pipe and expansion bolt provided by our company, in case the range hood falls down accidentally); The hole drilled in the wall should precisely match the size of the expansion pipe, otherwise, the range hood may loose and fall down.
2. The wall should be strong enough to support the range hood. As for hollow wall or hollow plate, the thickness of its solid part should be no less than 1¹/₈ inch. As for concrete wall, the installation can be directly operated. The range hood should be firmly fixed on the wall.
3. When drilling on the roof or ceiling, please make sure not to damage the electric lines as well as any other hidden devices.
4. When moving the range hood for installing, cleaning or repairing, please make sure to wear protective gloves to prevent your hands as the edge of the range hood.
5. The appliance is not intended for use by hurtby the (including children) with reduced physical sensory or mental capabilities, or lack of experience and knowledge, unless they have been given supervision or instruction concerning use of the appliance by a person responsible for their safety.
6. Children should be supervised to ensure that they do not play with the appliance.

■ Electrical Safety and Fire Prevention

1. The range hood should be connected to a standard power socket with safe grounding. The midway connection, prolonged electric line or multi-socket wiring may cause electric shock, overheating and even fire. The wiring task should only be carried out by a professional electrician in accordance with current national or local electric safety regulations. Power off before wiring and make sure proper measures have been taken to avoid unexpected connection.
2. If the supply cord is damaged, it must be replaced by a special cord or assembly available from the manufacturer or its service agent.
3. All electrical parts including motor, switch and connector assembly, etc. should be strictly prevented from water. Never rinse your range hood directly with water or high-pressure steam. Never use the range hood when it is wetted to prevent electric shock.
4. Never touch the power plug, power switch or other electric parts with wet hand, otherwise, you may get an electric shock.
5. Never discharge the exhaust of range hood through the hot flue which is used to release waste smoke arising from coal and gas or other fuels.
6. When the cooking utensil catches fire, switch off the range hood immediately. Effective extinguishing measures must be taken at once, such as covering the open flame with metal cover, turning off the master gas valve and keeping flammable substance from the open flame etc.

7. Never use an open flame under the range hood. To avoid the danger of fire, do not cook or grill over an open flame under the range hood. When switched on, the range hood could draw flames into the filter. Fat partial drawn into the range hood present a fire hazard.

8. All exhaust pipes, flues and devices should be non-flammable. Never cover the range hood with flammable plastic film or paper.

9. The range hood should be fixed on the wall above the cook top. Keep a height of 25⁹/₁₆~29⁹/₁₆ inch between the bottom of the range hood and the surface of the cook top. The working temperature for the range hood should not exceed 104°F.

10. After the appliance fixed, the plug should be accessible.

11. Do not dispose of electrical appliances as unsorted municipal waste, use separate collection facilities. Contact you local government for information regarding the collection systems available. If electrical appliances are disposed of in landfills or dumps, hazardous substances can leak into the groundwater and get into the food chain, damaging your health and well-being.

12. There is fire risk if cleaning is not carried out in accordance with the instructions.

■ Danger of Toxic Fumes

1. Great care should be taken when using the gas cook top which may cause carbon monoxide poison. Keep the room well ventilated.
2. When the range hood is under exhaust mode, make sure to install the damper along with the range hood.
3. Clean the metal filter according to actual conditions.

■ Suggestion and Description

1. Warranty service is not provided based on the following situations:
 - 1) Failing to show invoice issued by authorized agents.
 - 2) Damages of the parts due to the abused and wrong installation, improper use, improper location, carelessness or other factors.
 - 3) Repair and maintenance without the permission of FOTILE authorized agents.
 - 4) Other situations that can't be controlled by FOTILE authorized agents.

In above case, FOTILE will be released from any responsibilities for the loss of personal property, personal injury directly or indirectly caused by the product.
2. Never expose the range hood when your kitchen is being decorated. The construction material, dust, lacquer, paintings as well as their released gases may corrupt the surface of the range hood and make it tarnished. Therefore, please install the range hood after decoration.
3. Please clean the surface of range hood with neutral detergent and soft cloth. Wring out the cloth when cleaning the switch and lamps.
4. Make sure to keep the appliance horizontally. Over long or more bends of exhaust pipe may impair air function, and more relative operation noise will occur.
5. In case any malfunctions occur, please power off the range hood at once, and call our authorized dealers or distributors for help.
6. This manual contains the information updated till the time when it is printed. We keen on technical innovation, we will reserve the rights to improve or modify the product and user's manual without any prior notices. Some of the illustrations in this manual are for reference purpose only, and subject to the actual products if there are any differences.

WARNING – TO REDUCE THE RISK OF A RANGE TOP GREASE FIRE:

- a) Never leave surface units unattended at high settings. Boilovers cause smoking and greasy spillovers that may ignite. Heat oils slowly on low or medium settings.



- b) Always turn hood ON when cooking at high heat or when flambeing food (i.e. Crepes Suzette, Cherries Jubilee, Peppercorn Beef Flambe’).
- c) Clean ventilating fans frequently. Grease should not be allowed to accumulate on fan or filter.
- d) Use proper pan size. Always use cookware appropriate for the size of the surface element.

WARNING – TO REDUCE THE RISK OF INJURY TO PERSONS IN THE EVENT OF A RANGE TOP GREASE FIRE, OBSERVE THE FOLLOWING:

- a) SMOTHER FLAMES with a close-fitting lid, cookie sheet, or metal tray, then turn off the burner. BE CAREFUL TO PREVENT BURNS. If the flames do not go out immediately, EVACUATE AND CALL THE FIRE DEPARTMENT.
- b) NEVER PICK UP A FLAMING PAN – You may be burned.
- c) DO NOT USE WATER, including wet dishcloths or towels – a violent steam explosion will result.
- d) Use an extinguisher ONLY if:
 - 1) You know you have a Class ABC extinguisher, and you already know how to operate it.
 - 2) The fire is small and contained in the area where it started.
 - 3) The fire department is being called.
 - 4) You can fight the fire with your back to an exit.

GROUNDING INSTRUCTIONS

This appliance must be grounded. In the event of an electrical short circuit, grounding reduces the risk of electric shock by providing an escape wire for the electric current. This appliance is equipped with a cord having a grounding wire with a grounding plug. The plug must be plugged into an outlet that is properly installed and grounded.

WARNING – Improper grounding can result in a risk of electric shock.

Consult a qualified electrician if the grounding instructions are not completely understood, or if doubt exists as to whether the appliance is properly grounded.

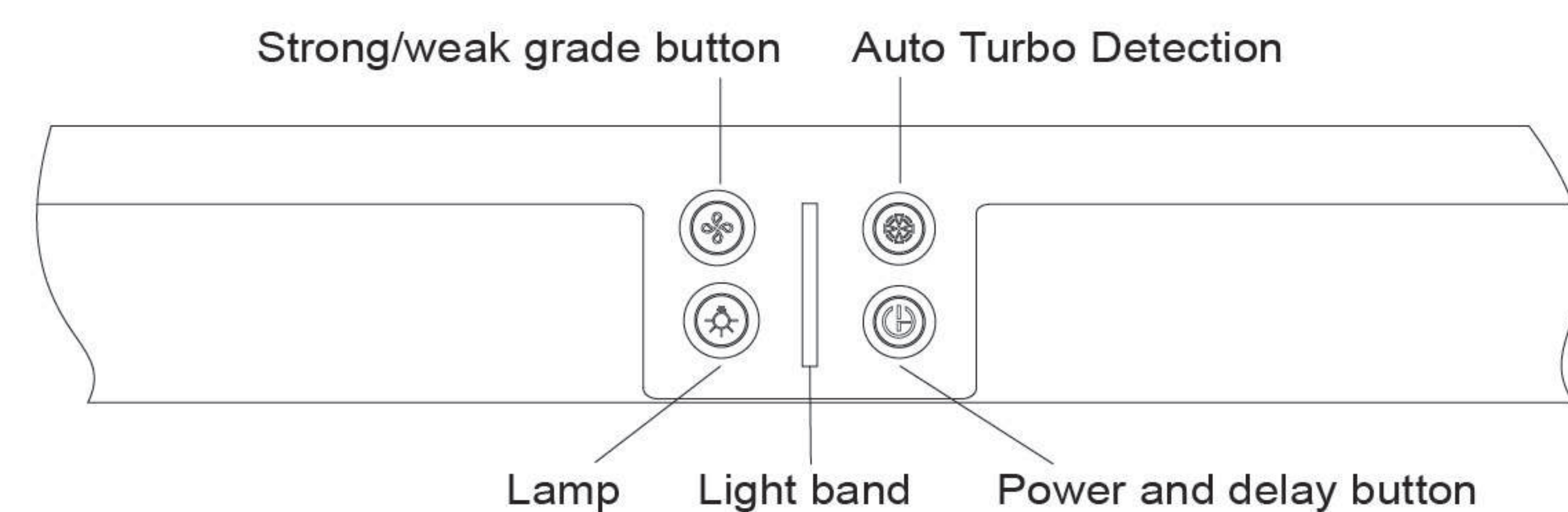
Do not use an extension cord. If the power supply cord is too short, have a qualified electrician install an outlet near the appliance.

TO REDUCE THE RISK OF FIRE, USE ONLY METAL DUCTWORK.

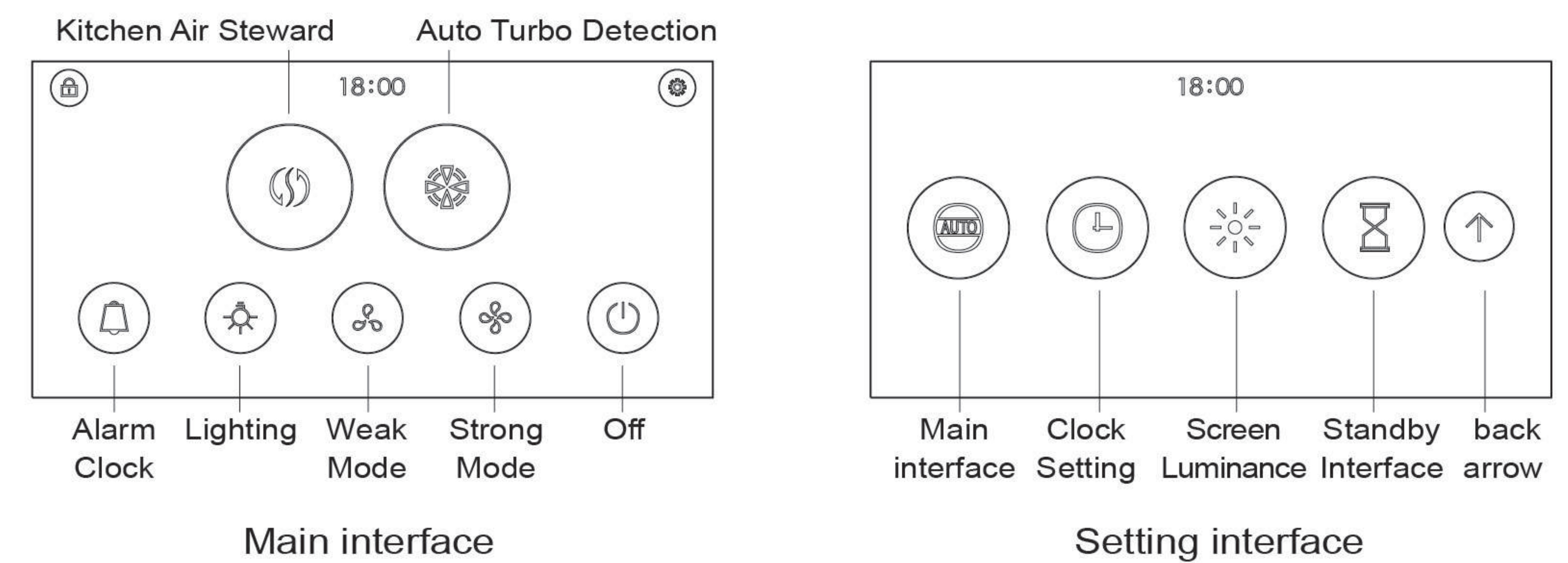
Usage

- Firstly, let's be familiar with the range hood control interface.

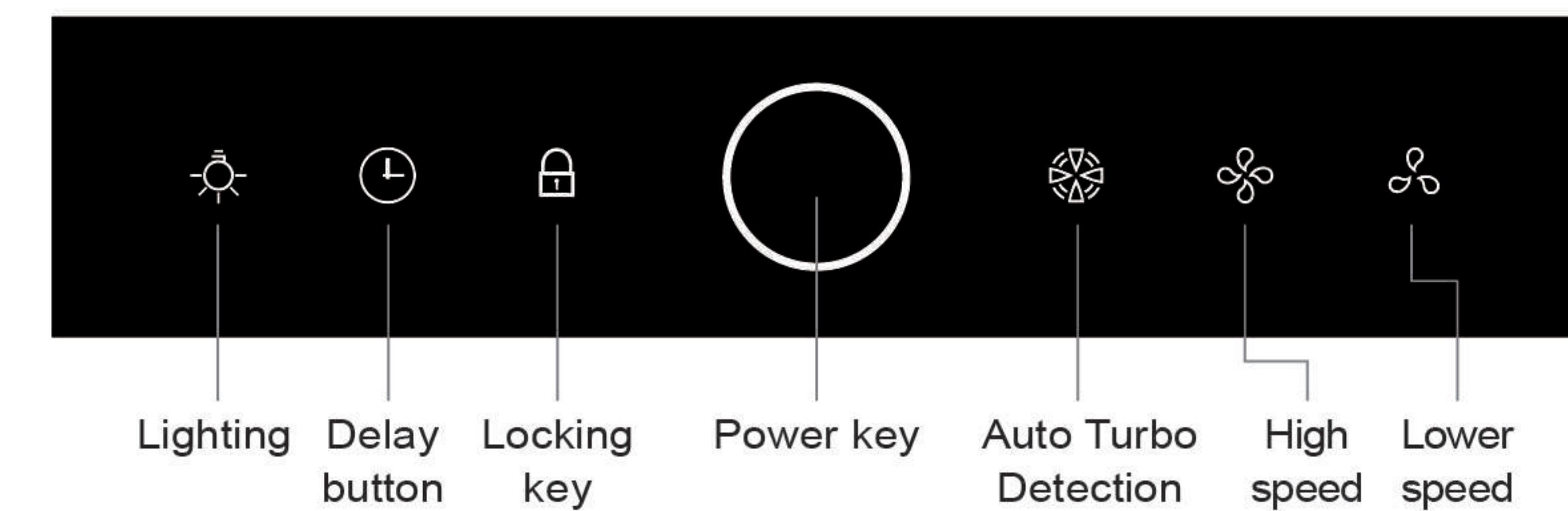
Control panel of EMS9016



Control panel of EMS9017



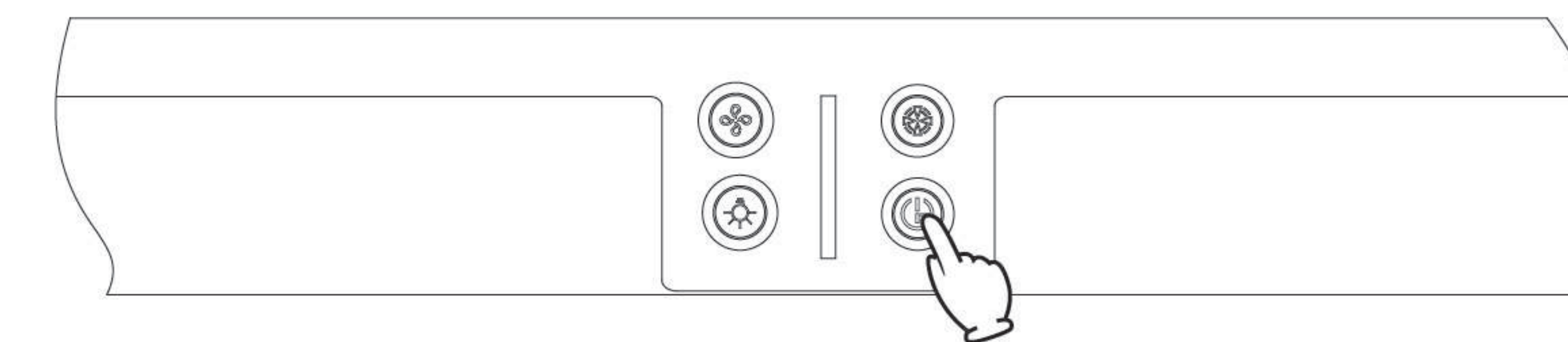
Control panel of EMS9018



Operation Instruction

EMS9016

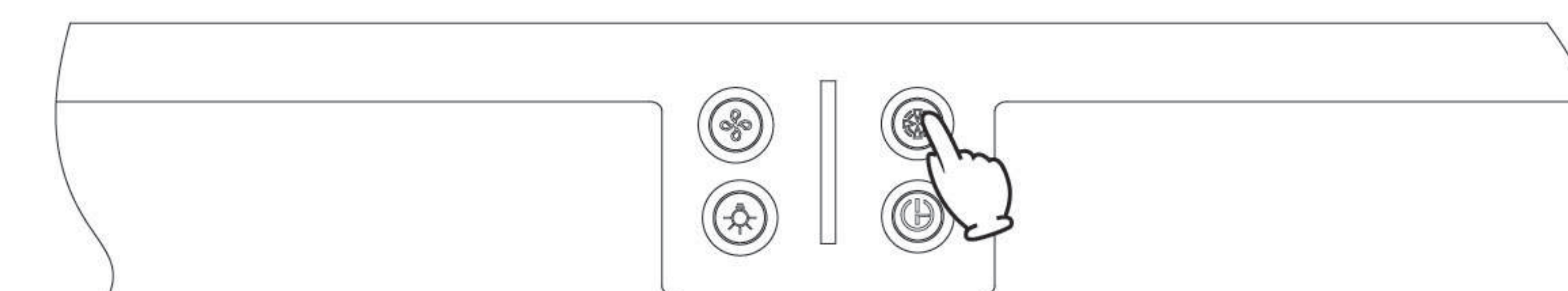
- Turn On/Off, Time delay Function



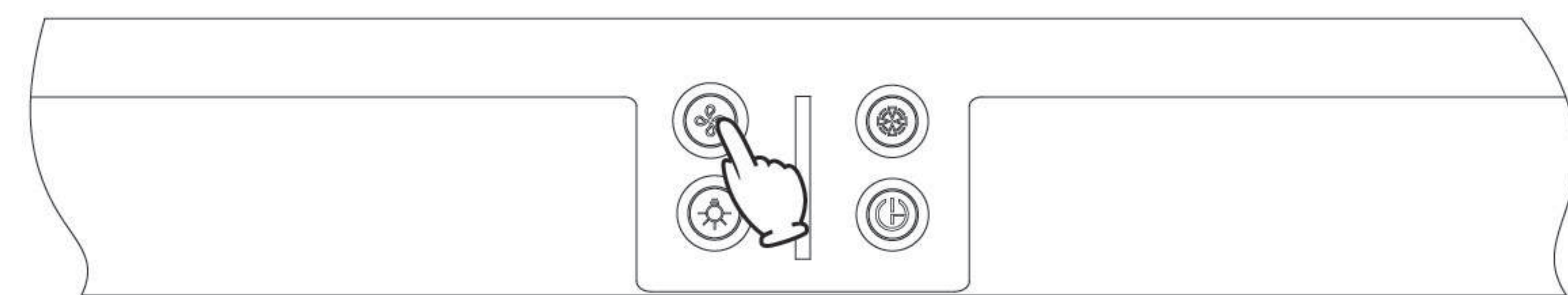
When is touched, the range hood will standby for operation. If there is no operation on stand it will be turned off automatically.

When is touched, the rang hood is working on or on standby, the hood will also be turned off automatically after 2 minutes, and the light indicator will be flashing.

- Suction Function

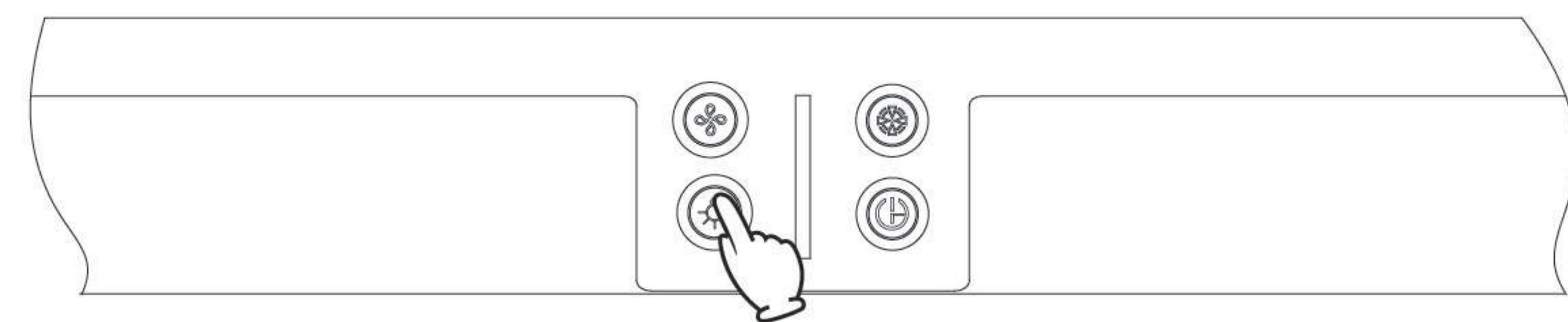


When is touched under the standby or operational mode, all indicator lighting are light; after the range hood maintaining for 5 seconds under the Auto turbo detection mode, and then returns to the normal mode and operate at the strong grade, the indicator lighting of button is semi-lighting, and the flue resistance shall be checked automatically, when the flue resistance is larger than the setting value, the motor turns to the Auto turbo detection mode to run automatically, at this time, the indicator lighting of button is fully-lighting; if the flue resistance restores to the normal condition, then after 30 seconds, it returns to the normal mode to run at the strong grade. If you want to close such function, press .



Touch the button , the motor shall be started; the indicator lighting of button is fully-lighting, and the range hood is running at the strong grade; then touch the button again, the indicator lighting of button is semi-lighting, the range hood is running at weak grade, touch again, the function is turned off.

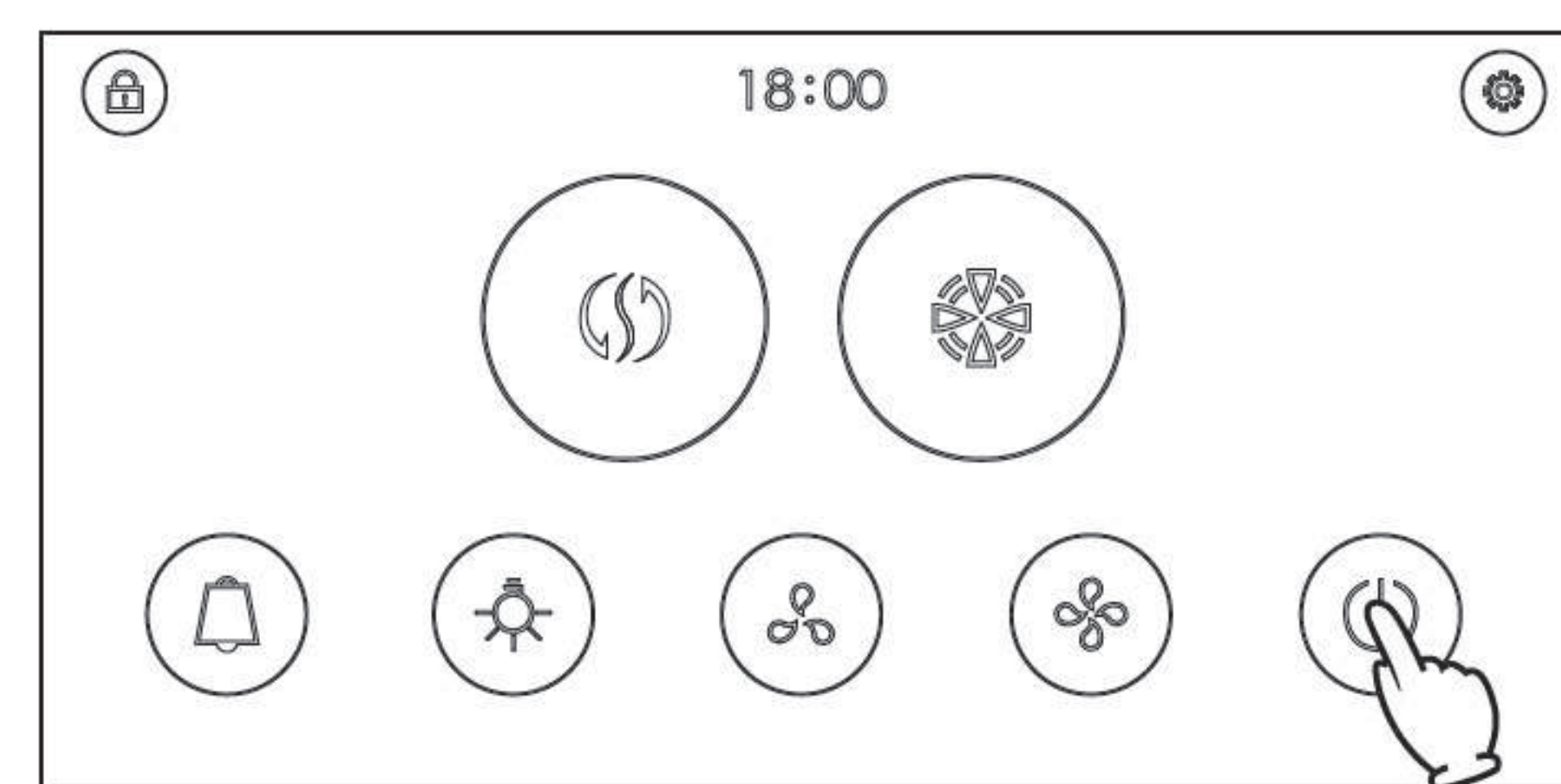
■ Illumination Function



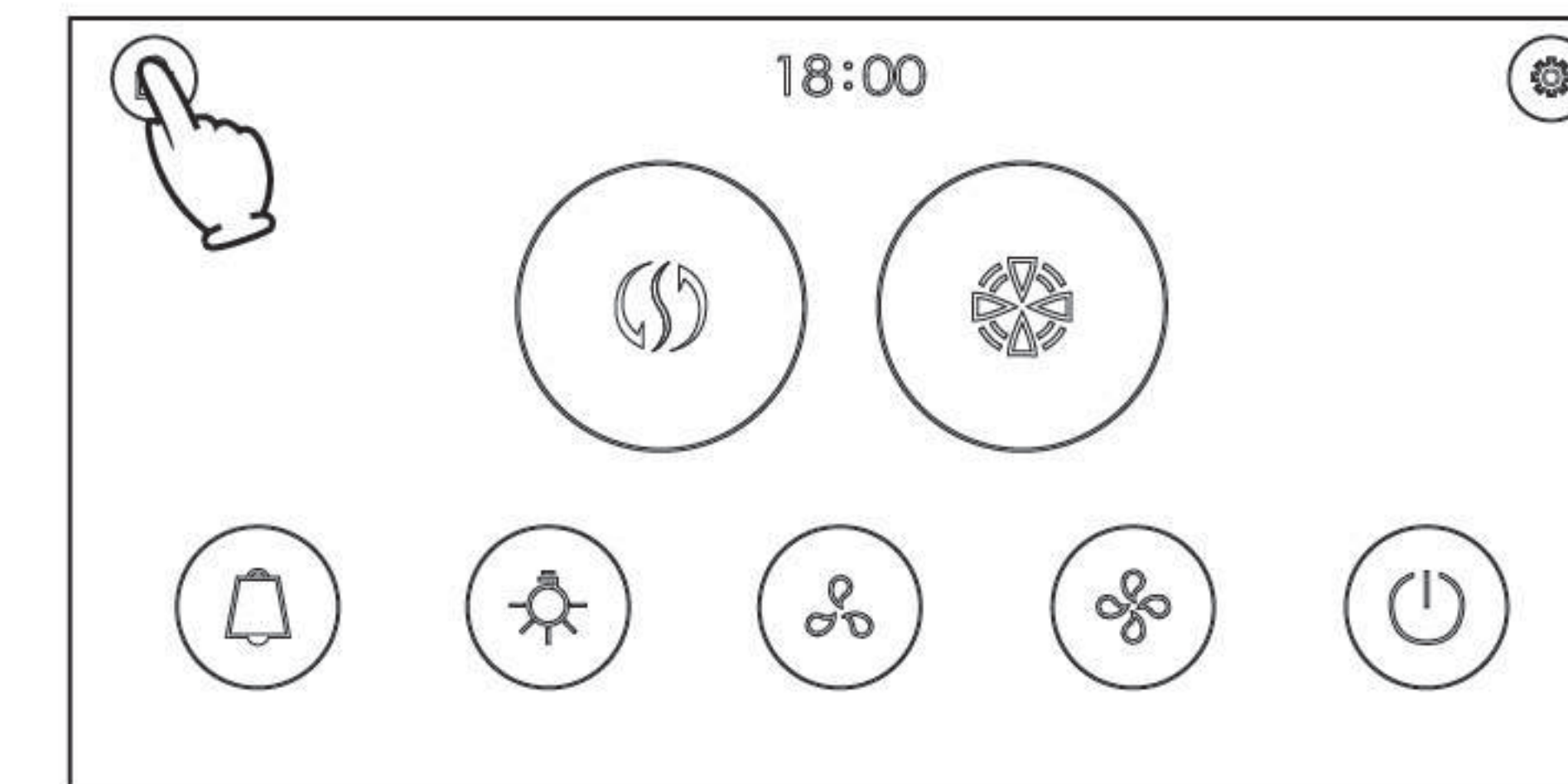
Press the “”button, the light is turned on, and press the button again, the light is off.

EMS9017

■ Turn On/Off, Screenlock Function

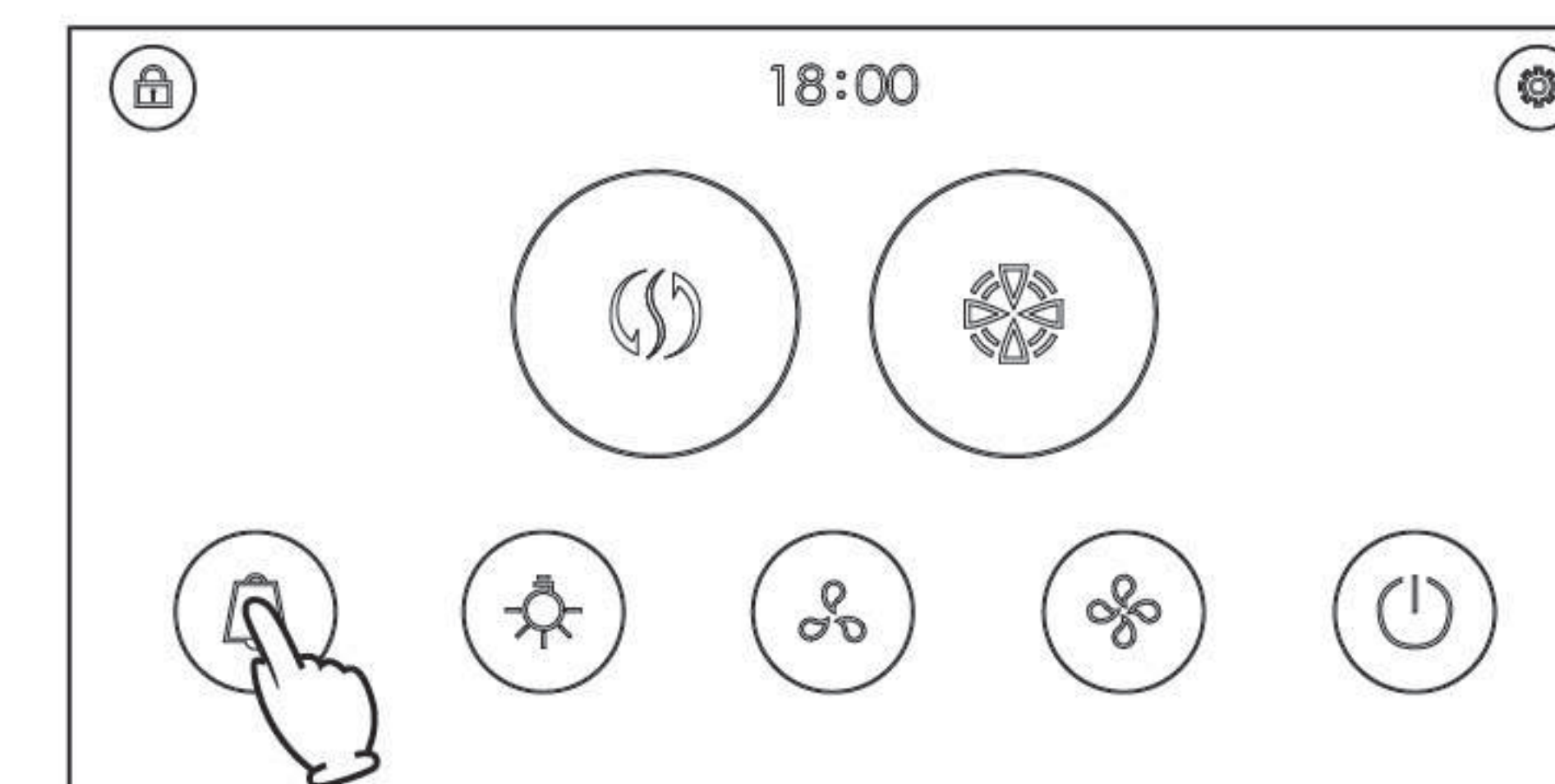


Press key and the device is turned off. (If “delay shutdown” is set, this function will be implemented.) All functions are immediately turned off to enter the black screen or clock screensaver interface. Click anywhere on the screen again to enter the main interface.

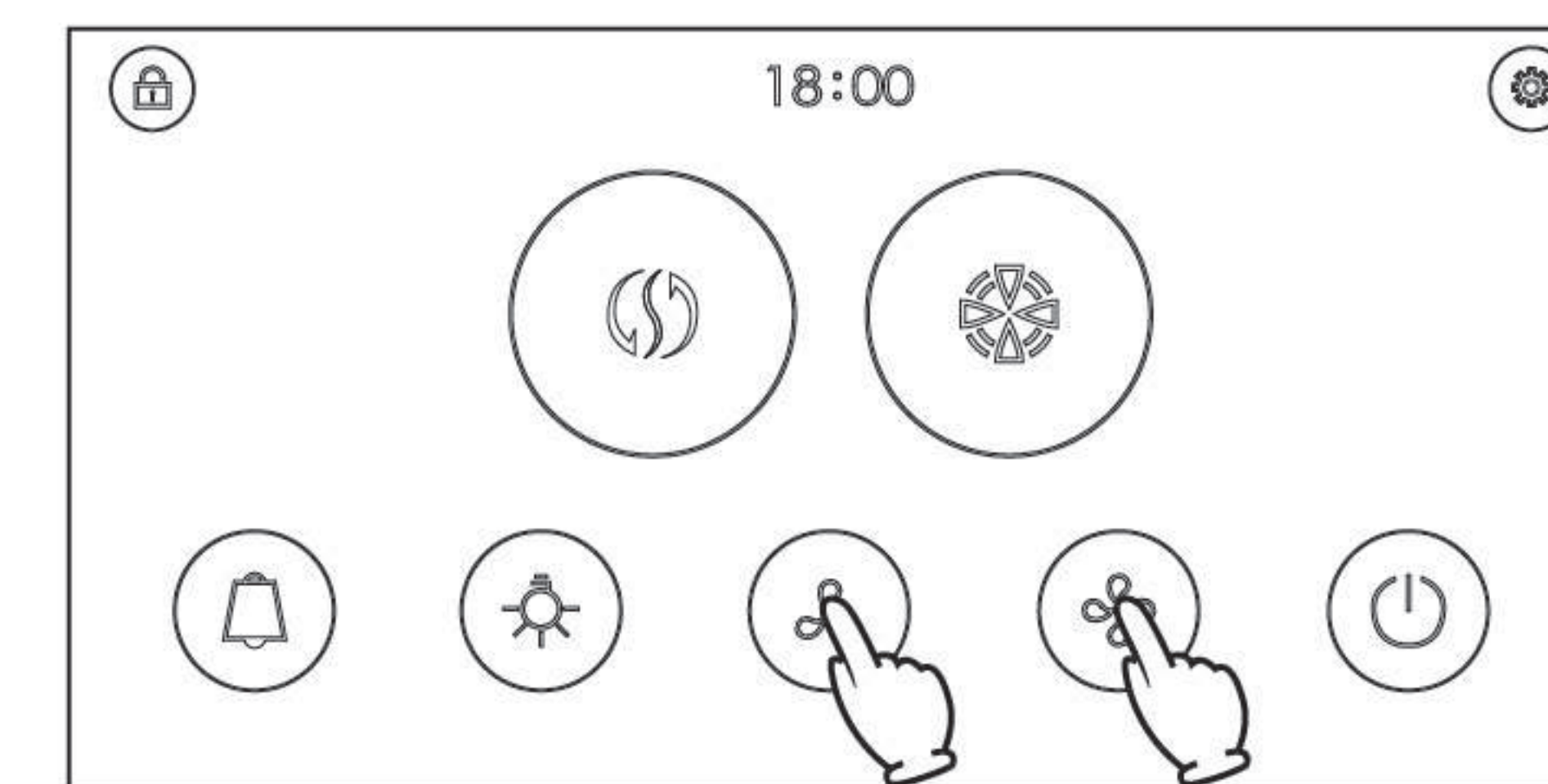


Press key to enter the panel lock interface. Slide to unlock.

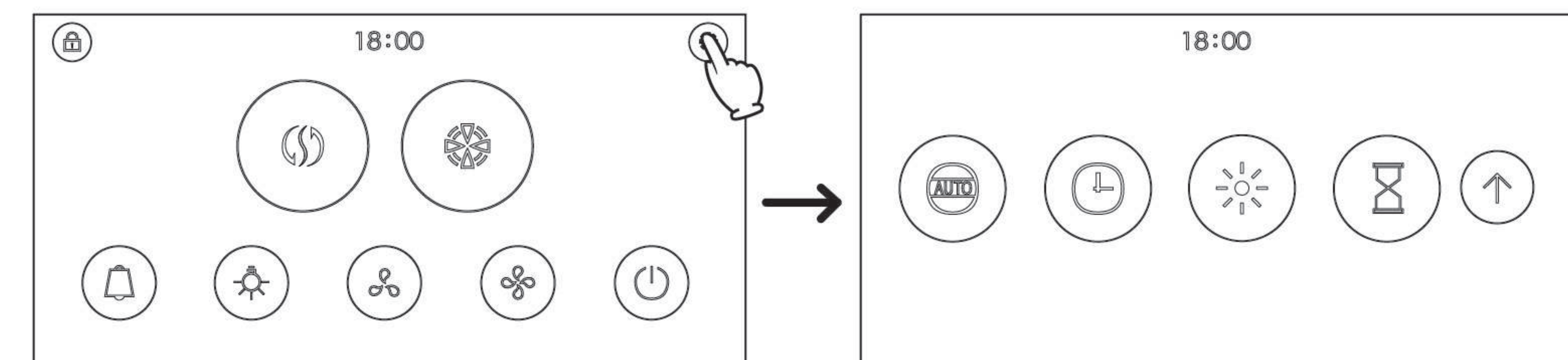
■ Suction Function



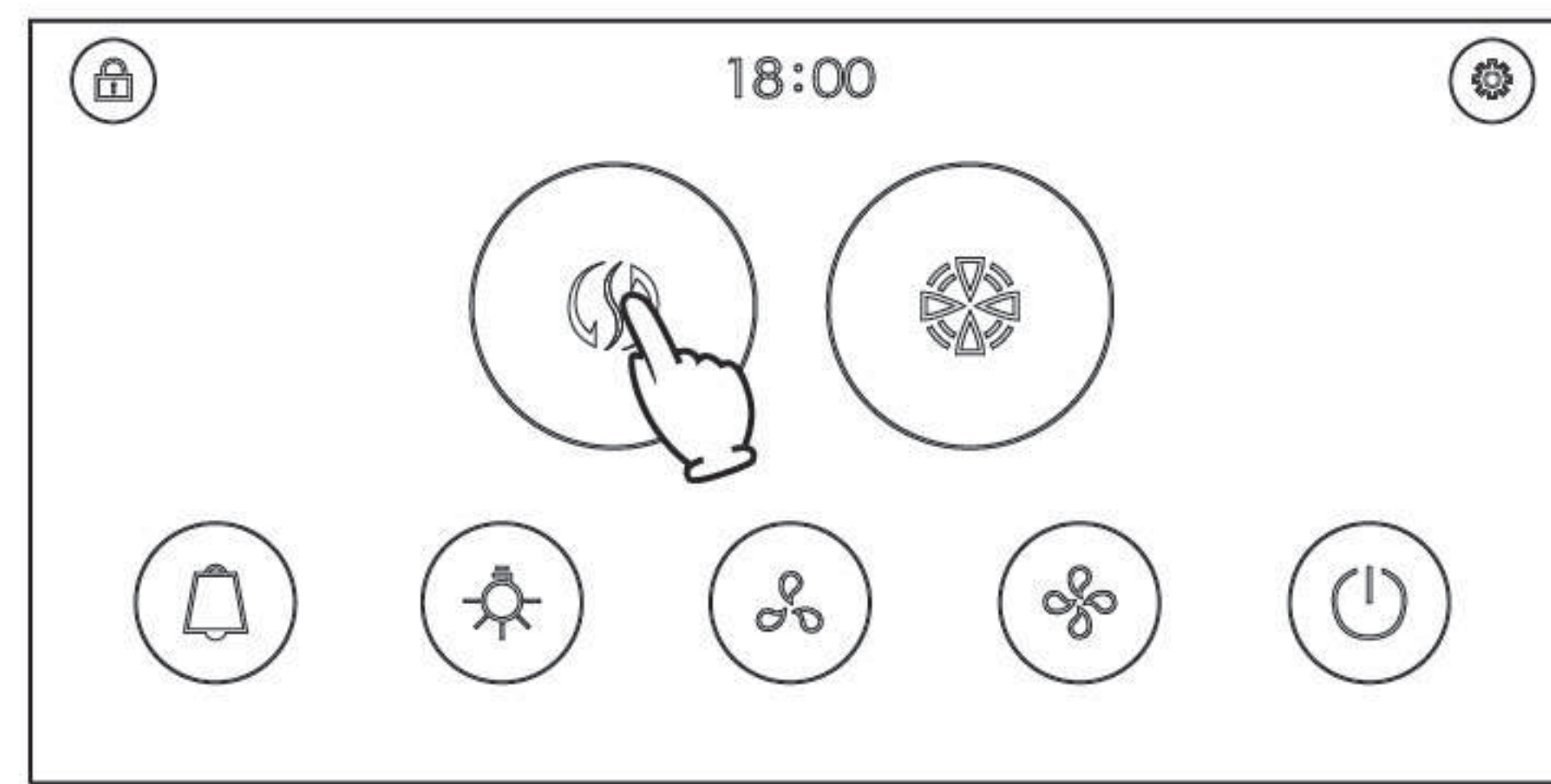
Press key to enter the alarm clock setting interface and set the countdown alarm clock. Prompt tone will be heard when time is up. The prompt tone lasts for 2 minutes (touch any key to stop the prompt tone) and it will stop automatically after 2 minutes.



Press key, the draught fan runs less powerfully. Press it again and it stops. Press key, the draught fan runs powerfully. Press it again and it stops.



Press key enter the setting interface.
 Press to set 0 - 30 minutes of shutdown time delay by rolling up and down.
 Press to set the time and screensaver clock at the top of the interface by rolling up and down (if screensaver is set to be showed).
 Press to set your favorite screen backlight luminance.
 Press to set whether to show the clock screensaver clock interface or not.
 Press to return to the main interface.

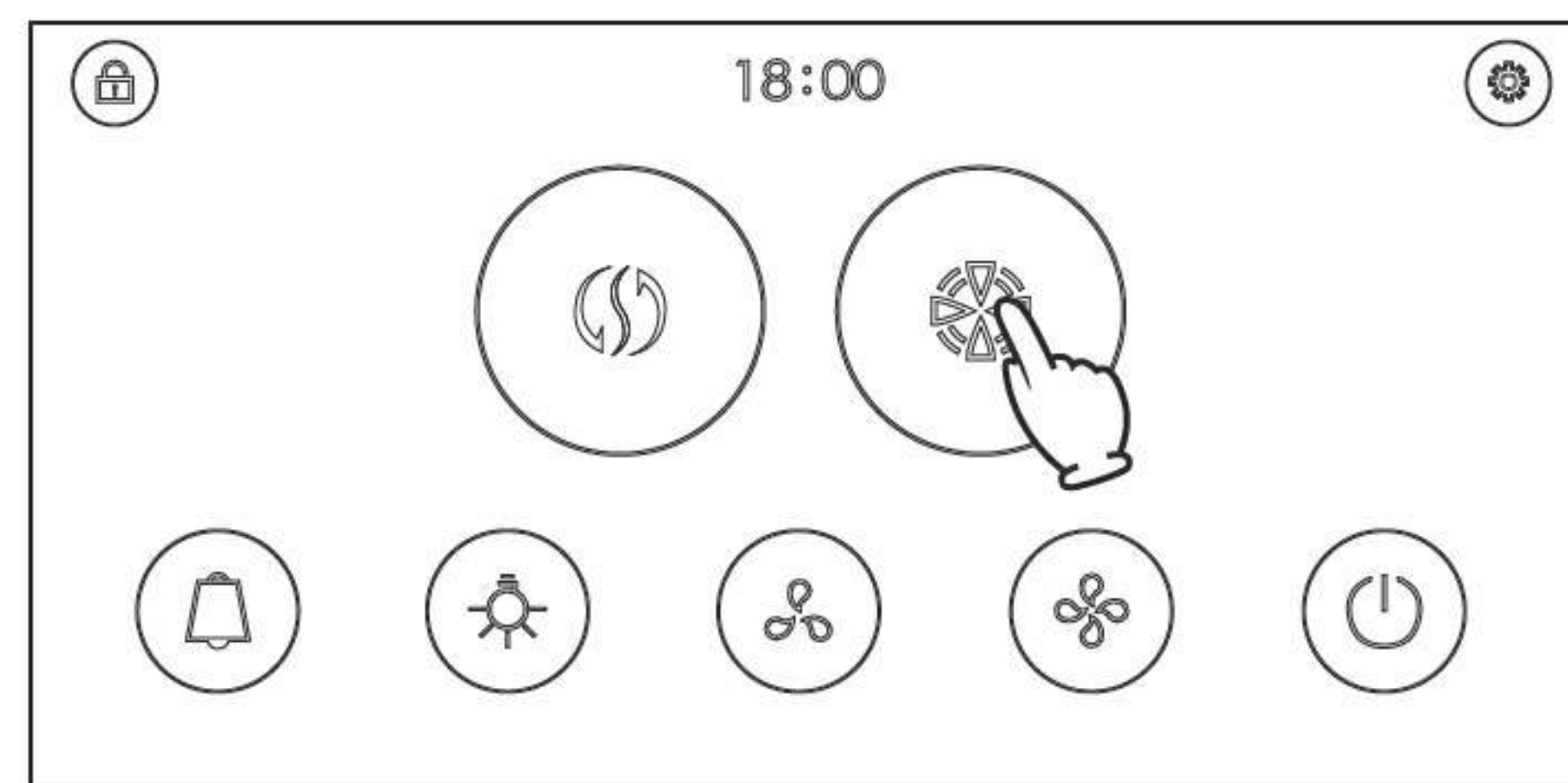


Press key to enter Kitchen Air Steward interface. The range hood can detect air quality automatically.

If air quality is good, the icon turns green and the motor does not run;

If air quality is slightly poor, the icon turns light red and hood works on weak mode;

If air quality is poor, the icon turns red and the hood works on strong mode.



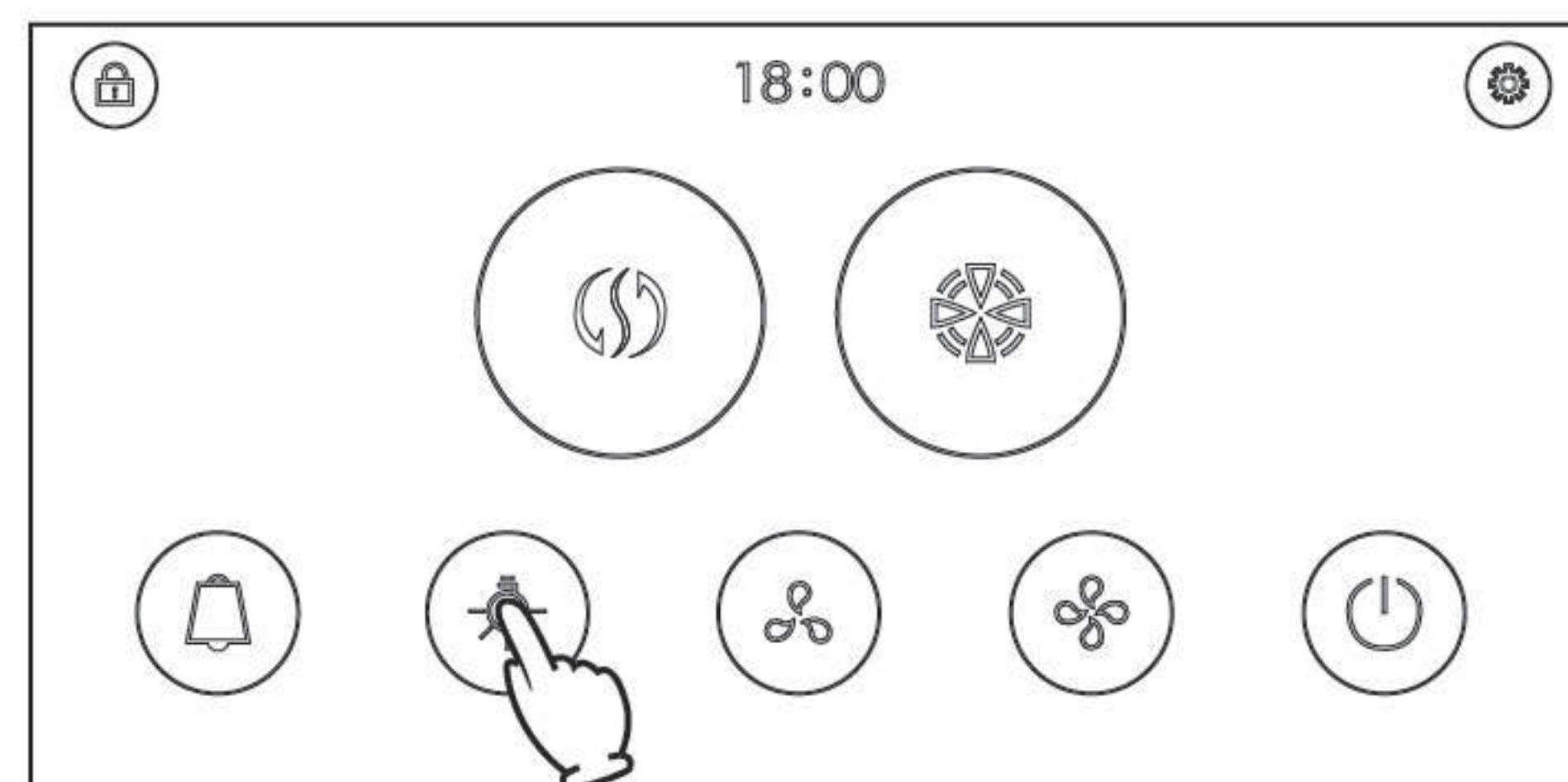
Press key and the range hood enters Auto turbo detection mode.

When high resistance is detected in the flue, the range hood directly runs the most powerfully. When low resistance is detected, the range hood runs powerfully again.

When we put food material into the pan, the blast cooking smoke will be the heaviest.

When sensing the sound at this moment, the hood range directly runs the most powerfully. When detecting no such sound in the pan, the hood range runs powerfully again.

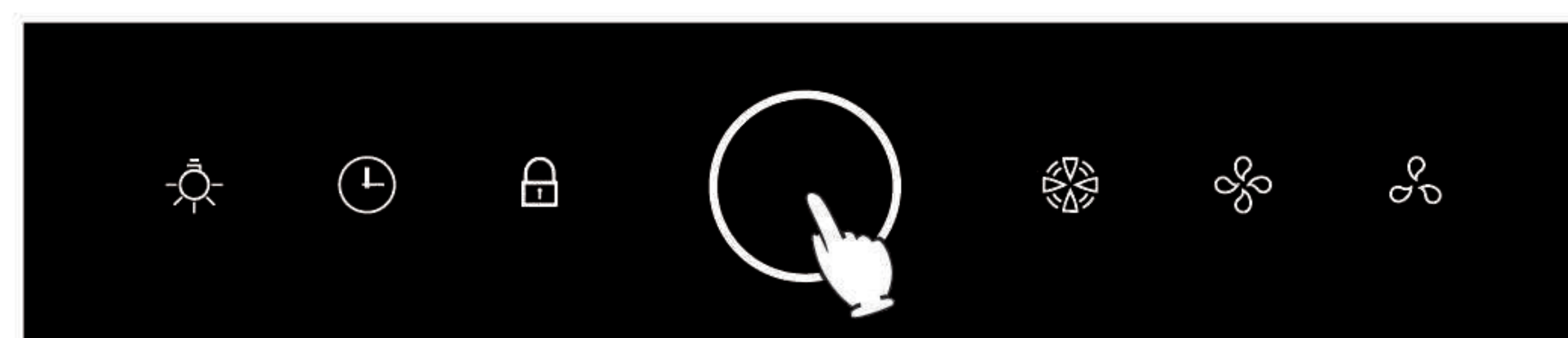
■ **Illumination Function**



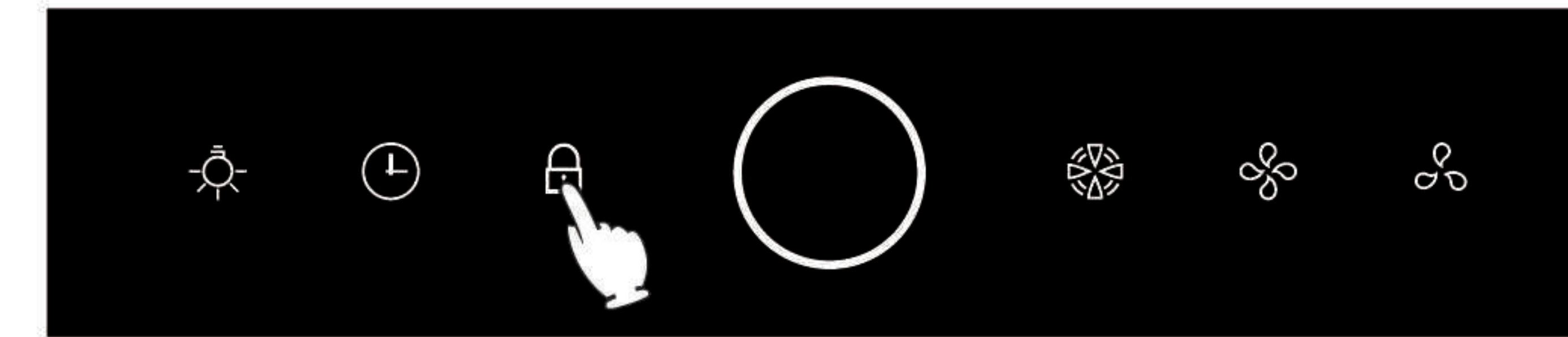
Press key and the lighting is on. Press it again and the lighting is off.

EMS9018

■ **Turn On/Off, Screenlock Function**

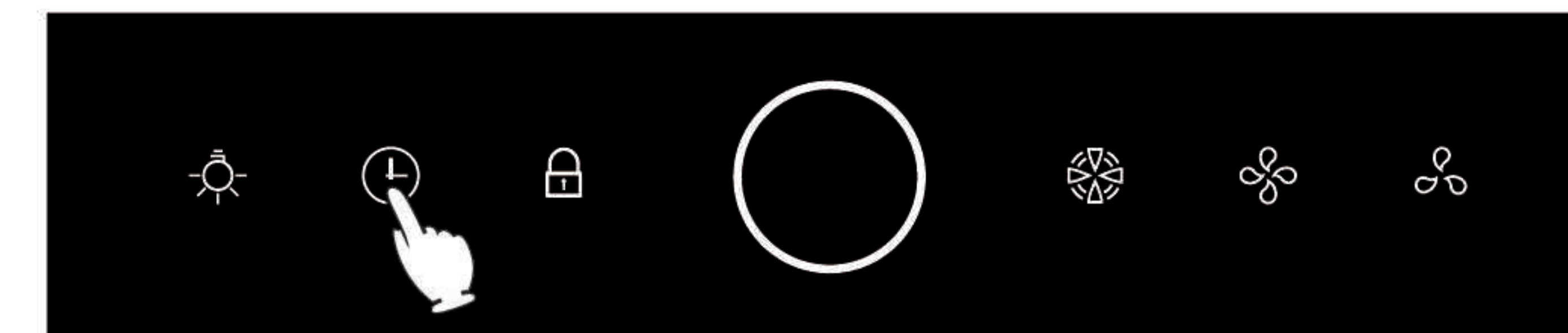


If you want to turn on the range hood, please press the key, the range hood is on standby, then you can press another key. If you don't have any operation on standby within 2 minutes, it will be turned off automatically.



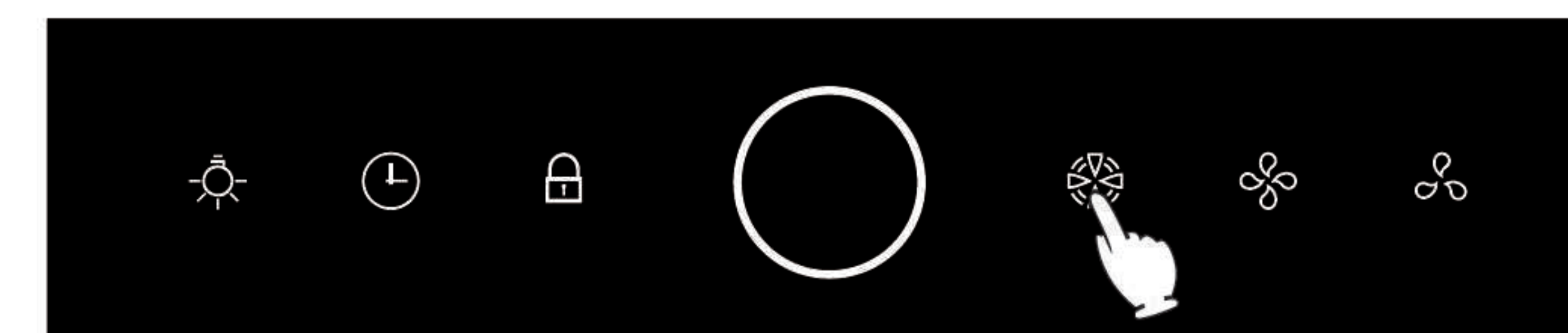
During working state or standby mode, Press the key at least with 3 seconds, the range hood beeps once, flashes on, all keys will be locked, and clicks invalid, the range hood will emit a beep; then press at least with 3 seconds, the screenlock function is canceled and resume.

■ **Time delay Function**

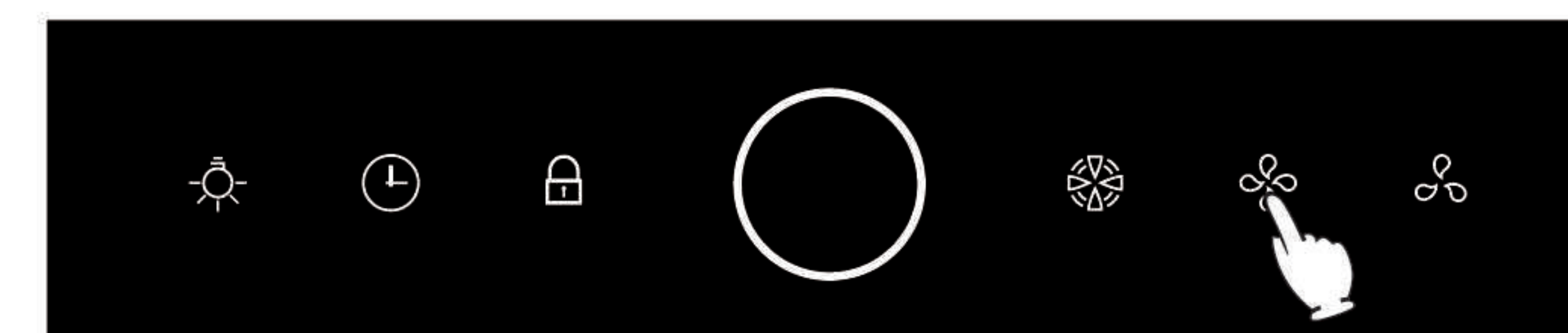


If you press when the range hood is working or on standby, it also will be turned off automatically after 2 minutes, if you need to cancel the delay, press any key.

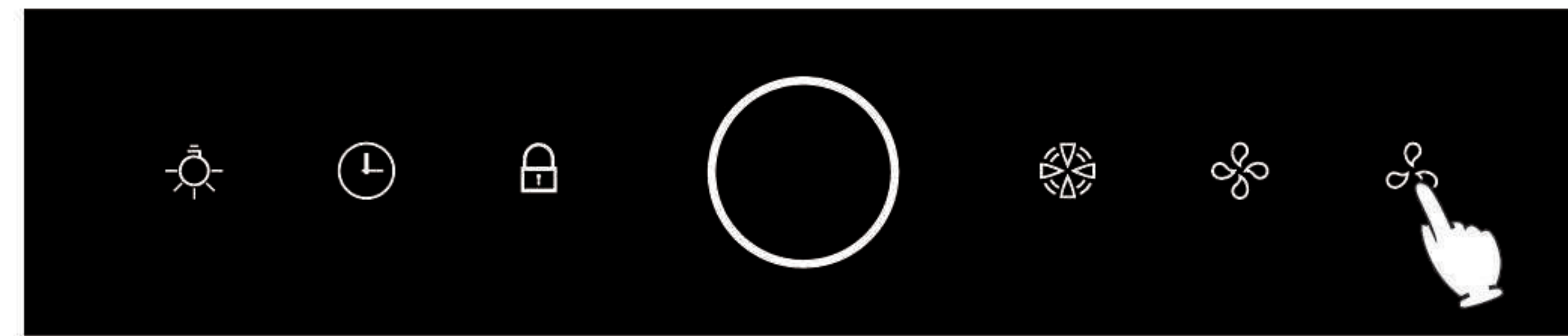
■ **Suction Function**



When is touched under the standby or operational mode, all indicator lighting are light; after the range hood maintaining for 5 seconds under the Auto turbo detection mode, and then returns to the normal mode and operate at the strong grade, the indicator lighting of button is semi-lighting, and the flue resistance shall be checked automatically, when the flue resistance is larger than the setting value, the motor turns to the Auto turbo detection mode to run automatically, at this time, the indicator lighting of button is fully-lighting; if the flue resistance restores to the normal condition, then after 30 seconds, it returns to the normal mode to run at the strong grade. If you want to turn off such function, press .

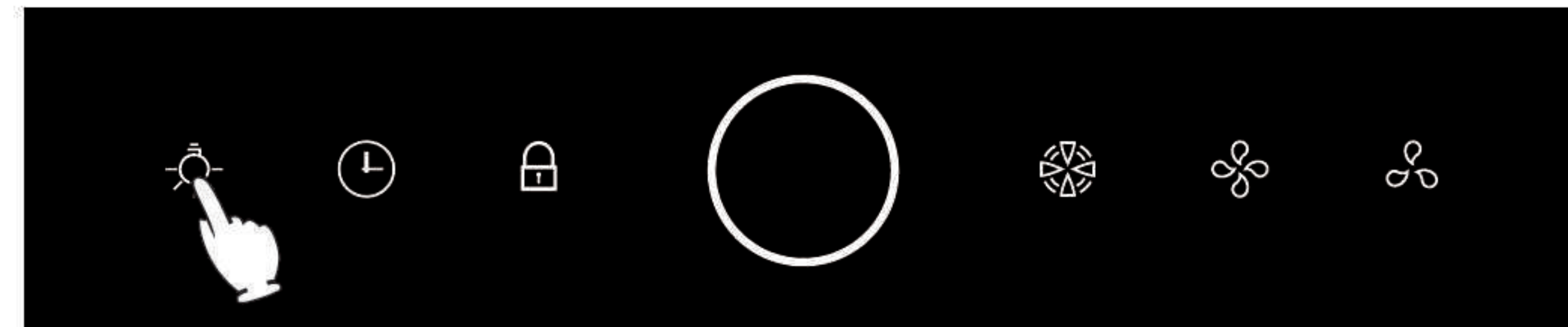


You press the key, the light indicator will show "on", the relevant working condition is "middle power". Press the key again, the light indicator will show "off", the relevant working condition is "off".



You press the key, the light indicator will show “on”, the relevant working condition is “weak power”. Press the key again, the light indicator will show “off”, the relevant working condition is “off”.

■ Illumination Function



Press the key, the light is turned on, and press the key again, the light is off.

Cleaning and Maintenance

| | | | |
|------------------|--|-------------------------|---|
| | <p>1. Cut off the power before cleaning.</p> | | <p>2. All electric parts, include motor, switch, etc. should be away from water.</p> |
| | <p>3. Please don't clean the surface with rough material like steel wire ball, brush or coarse cloth, etc. It will greatly scratch the surface.</p> | <p>Neutral cleanser</p> | <p>4. Please don't clean with gasoline, acidic substance, benzene, solvent and other chemical agents. If you need to clean, please use neutral cleanser, and wipe dry the appliance surface by soft cloth after cleaning.</p> |
| <p>Wet cloth</p> | <p>5. If the stainless steel panel is stained with salty liquor, disinfectant, bleaching powder and other cleanser, please wipe it by wet cloth at once and dry it by dry cloth.</p> | | <p>6. The two ends of the oil cup shall be held by both hands, maintain the horizontal level of the oil cup, and then move the oil cup towards the front side of the range hood, remove the oil cup and discharge the accumulated oil.</p> |
| | | | <p>7. Firstly, hold the front end of ring suction plate with both hands, turn downwards, so that the fastener of ring suction plate is out of place, meanwhile turn downwards for certain degree, remove the ring suction plate. And then hold the air input cover with left hand, and unscrew the 2 screws fixed on the air input cover with cross-screwdriver by right hand, then remove the air input cover.</p> |

| | | | |
|--|--|--|---|
| | <p>8. Remove the motor cover and decorative cover.</p> | | <p>9. Unscrew the screws on the motor cover, and dismantle the motor cover.</p> |
| | <p>10. Unscrew the screws fixing on the air input ring, and remove the air input ring.</p> | | <p>11. loosen the screw, take off the air inlet.</p> |
| | <p>12. Unscrew the locknut in clockwise direction, and remove the vane.</p> | | <p>13. Screw off the locknut clockwise, Take out the impeller.</p> |



- a. Pour out the gathering oil periodically according to the oil cup indication; please wipe the range hood surface once after every using the range hood; clean the air inlet outer cover and inner cover every three days; clean the impeller once every year (clean by professional people).
- b. Please frequently clean the range hood surface, rectification plate and oil cup.

Normal Malfunction and Trouble Shooting

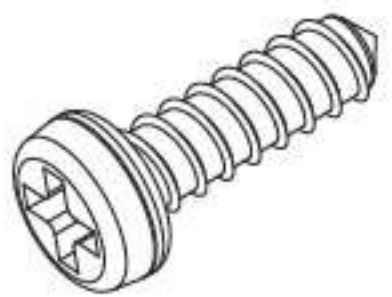
| Malfunctions | Possible reasons | How to check |
|---|---|--|
| Range hood can't work, light can't light on | Haven't connected with power supply | Check whether the plug is well inserted or not |
| | | Check whether there is electricity or not in the plug |
| Motor can work, but light can't light on | LED light is damaged | Replace LED light (done by professional people) |
| There is machinery shaking noise | Screw is loosed | check whether the surface screws are tightened or not |
| Suction power is weak | Too long distance between range hood and stove | Lower the range hood installation height (done by professional people) |
| | Too much ventilation near the range hood leads to strong convection | Close some doors and windows |
| Noisy | Exhaust pipe surface is distorted | Reinstall exhaust pipe (done by professional people) |



- 1. Change the LED light: please contact FOTILE after-sale service center.
- 2. If the range hood still can't work after getting rid of the above malfunctions, please contact FOTILE service center .





Installation

Packing List




| | | | | | |
|---|---|---|---|-----------------------------|---|
|  | Complete Appliance | 1 |  | Wooden Screw 4.5x60 | 7 |
|  | Pothook | 1 |  | Oil Cup | 1 |
|  | Decorative Cover | 1 |  | Safety Block | 1 |
|  | Decorative Cover Pothook | 1 |  | Upper Seal Mat | 1 |
|  | Cross Recess Head Self-tapping Screw ST 3.9x9.5 | 6 |  | User Manual | 1 |
|  | Expansion Pipe φ10X60 | 7 |  | Exhaust Cover | 1 |
|  | Cross recess pan head self-tapping locking screws M4 X 18 | 8 |  | Ring suction plate assembly | 1 |
|  | Collision Avoidance Elements | 2 | | | |

Installation Methods

⚠ Attention

| | | | |
|---|--|---|--|
|  Attention | Suggest install the range hood after finishing the kitchen decoration. |  Forbidden | Make sure to keep the appliance horizontal. |
|  Strictly Execute | After finishing installation, make sure the range hood can normally work, please read carefully and keep well the user manual. |  Strictly Execute | Please abandon and recycle the old range hood which can't work any more, to protect the environment. |

⚠ Attention

| | | | |
|---|--|---|--|
|  Strictly Execute | If it is necessary to move the gas stove before installing the range hood, please close general gas valve before moving the gas stove. |  Strictly Execute | The range hood is heavy and the installation is complex, so the installation should be done by professional people according to the user manual. |
|  Strictly Execute | Please wear protective gloves to avoid your hands being hurt by rang hood sharp edge. |  Strictly Execute | Please use specialized power socket and it should be connected with reliable ground wire to ensure safety. |
|  Strictly Execute | Please do not damage the electric wire and other hidden equipment when drilling on wall. Power off the range hood when installing. |  Strictly Execute | The wall should be strong enough to support the range hood, otherwise the range hood may drop down and result in damage. |
|  Strictly Execute | Accessible parts may become hot when used with cooking appliances. The air must not be discharged into a flue that is used for exhausting fumes from appliances burning gas or other fuels Failure to install the screws or fixing device in accordance with these instructions may result in electrical hazards This appliance is not intended for using by persons (including children) with reduced physical, sensory or mental capabilities, or lack of experience and knowledge, unless they have been given supervision or instruction concerning use of the appliance by a person responsible for their safety. Children should be supervised to ensure that they do not play with the appliance. | | |
|  Strictly Execute | Please use accessories provided by FOTILE company to ensure safe and well installation. Make sure the tightness between expansion pipe and wall hole, and please don't drill the hole too big, to avoid drop due to expansion pipe loosening. | | |
|  Strictly Execute | Make sure the exhausting pipe can reach outdoors to avoid the fire and keep the fresh air in the room. Please don't make the waste gas stay indoor, loft, garage, etc. (This is only for ducted range hood)The waste air from the range hood couldn't share the same flue with other imflamble gas. | | |
|  Strictly Execute | Package of new range hood:To keep a well environment, please deal with the plastic package by environmental way.Packing material is not toy, so please keep the plastic bags and box away from the infant to prevent such dangers as suffocation, etc. | | |

Installation Suggestions

■ Installation Position

The range hood is only for family use only; Please do not use the range hood under other conditions.

The range hood should be installed above the stove. Keep parallel between the blower outer cover bottom end and cabinet bottom end.

The temperature of the range hood should not be more than 104°F.

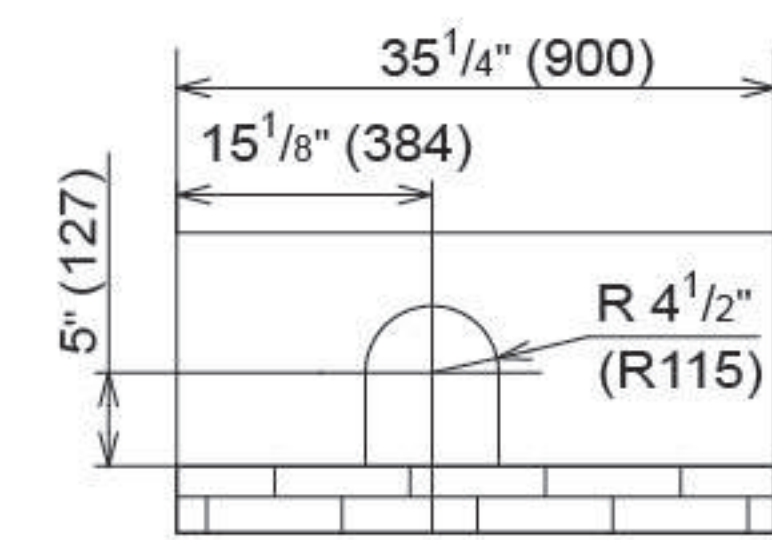
The wall should be none-flammable. Never install the range hood on the flammable wooden wall.

Range Hood and Wall Cupboard Standard Combination Size Installation Diagram

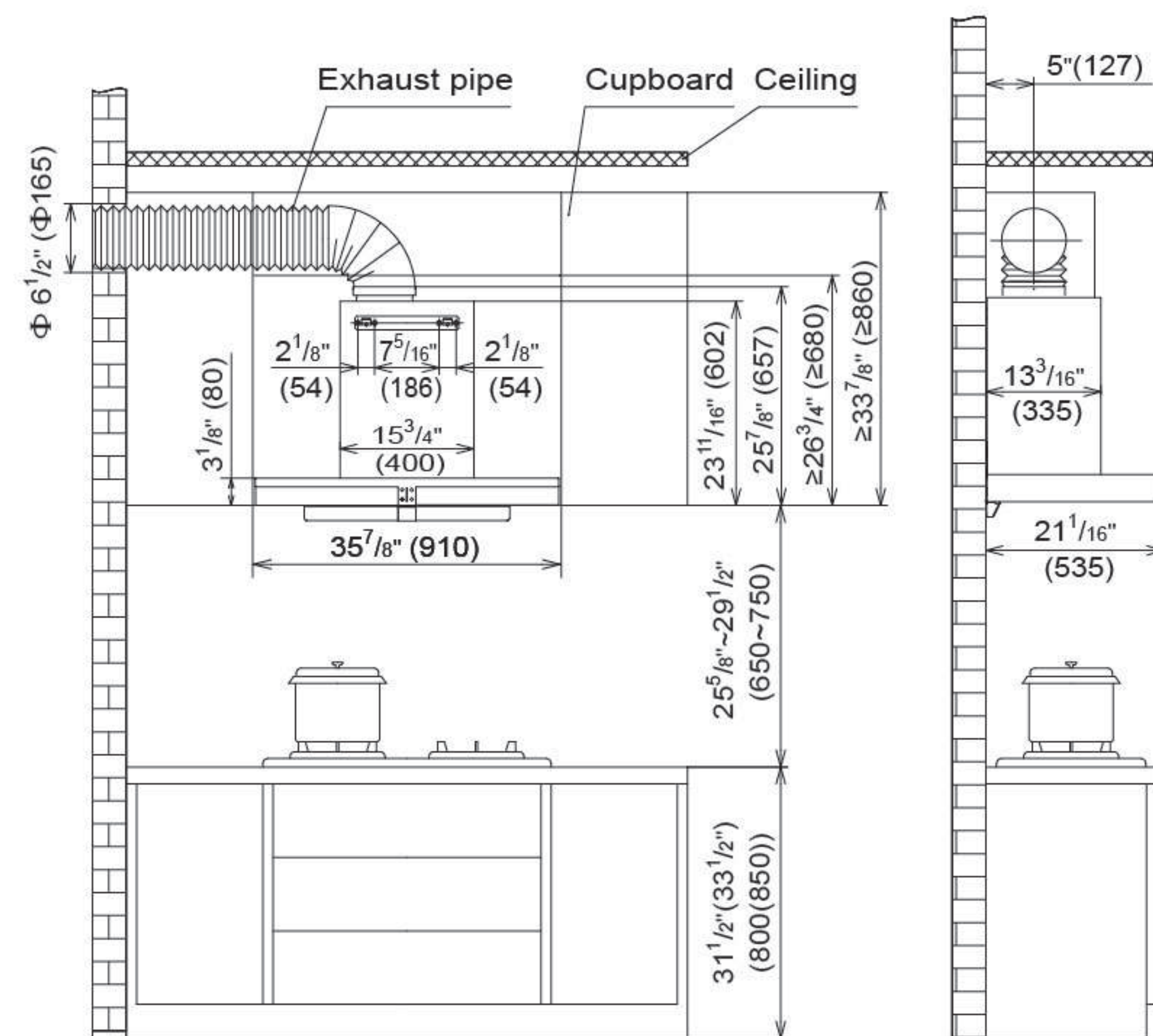
Unit: inch(mm)

EMS9016

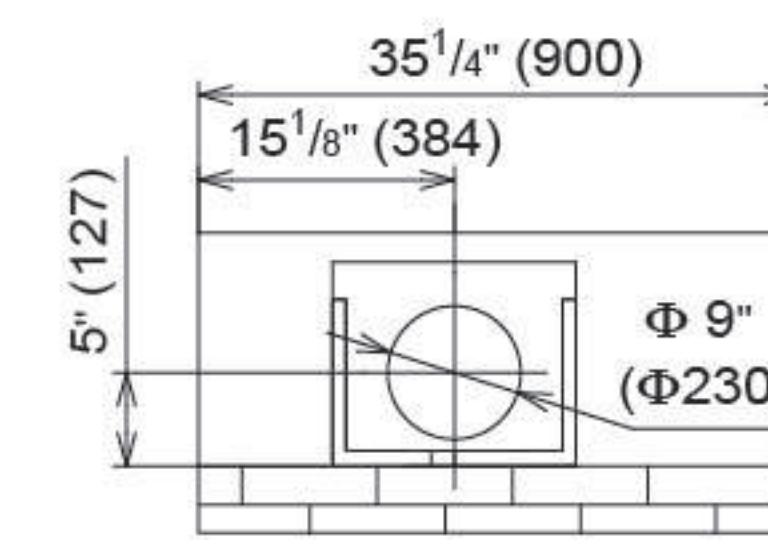
Hole Size of Cabinet on Top Surface



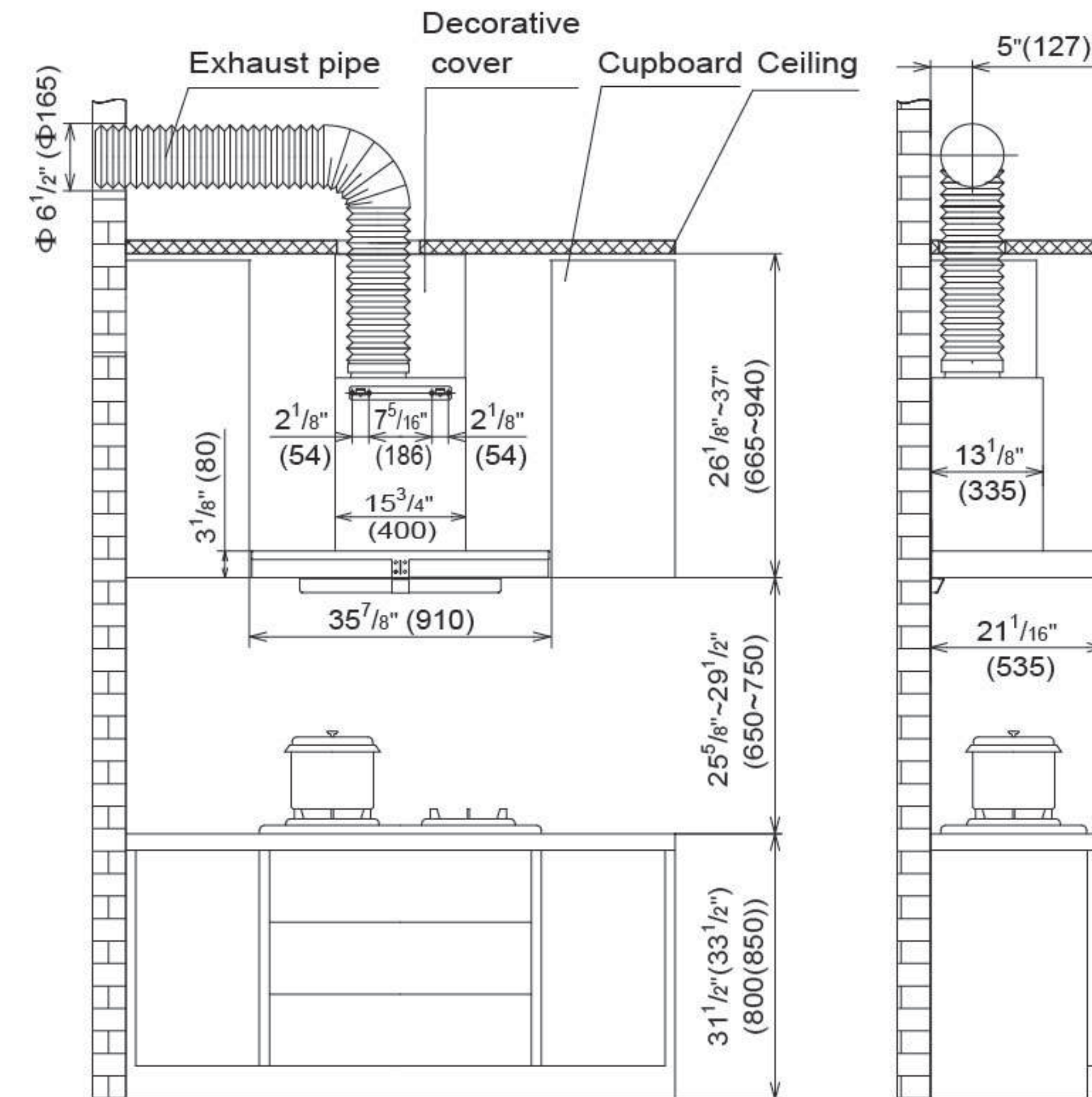
Exhaust pipe through cabinet



Installation diagram for the top decorative cover pothook.

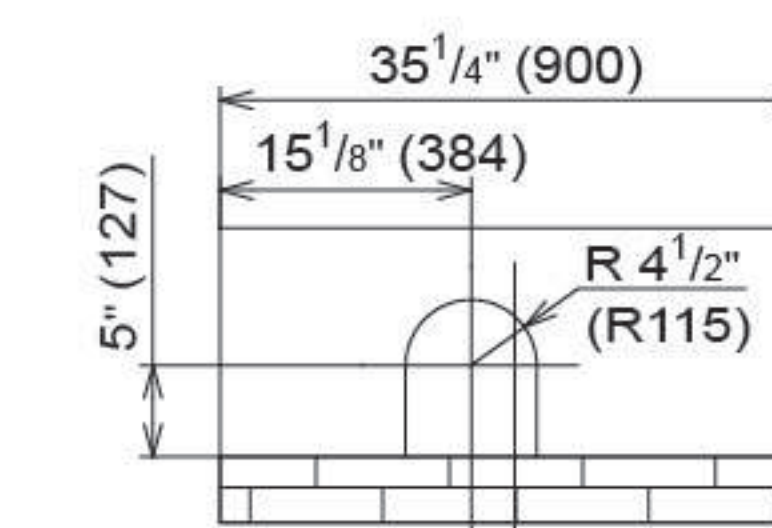


Exhaust pipe through ceiling

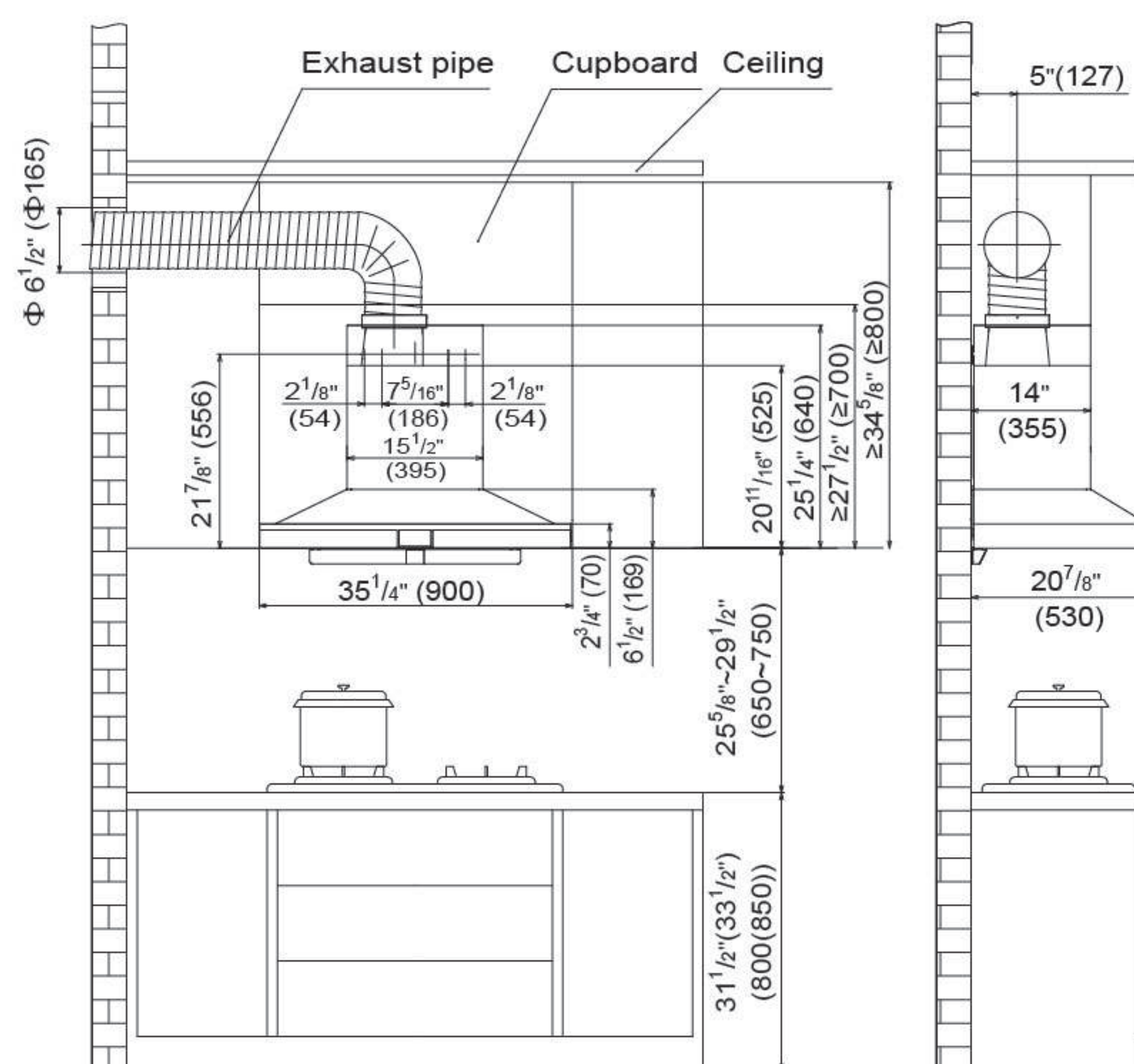


EMS9017

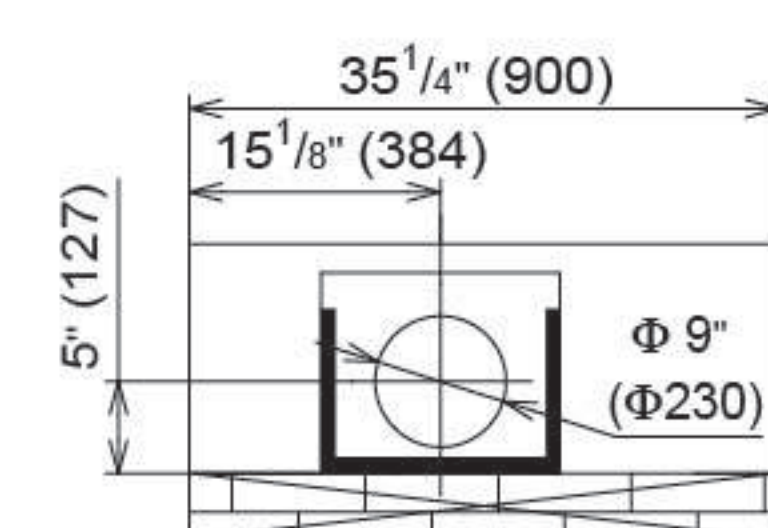
Hole Size of Cabinet on Top Surface



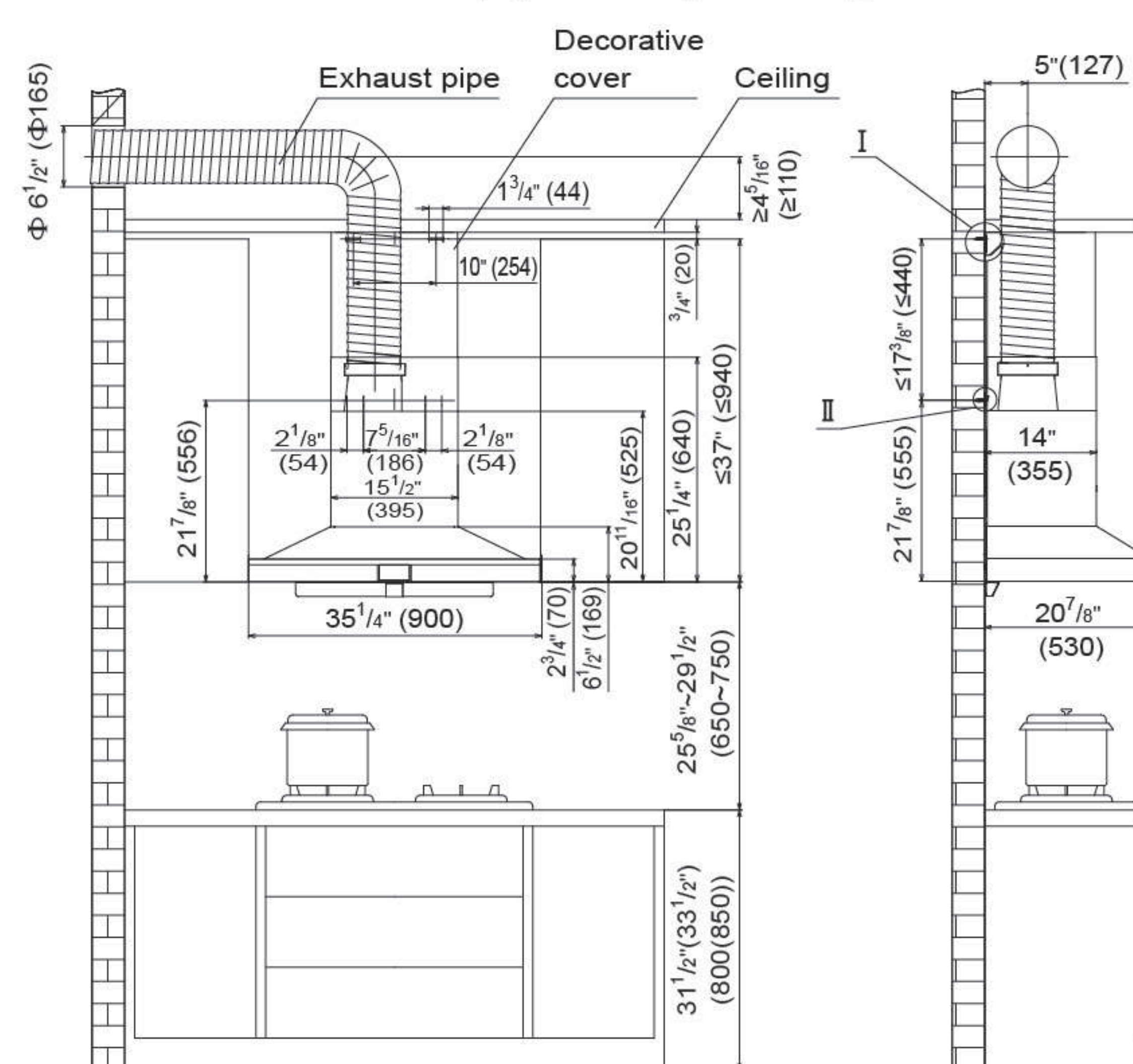
Exhaust pipe through cabinet



Installation diagram for the top decorative cover pothook.

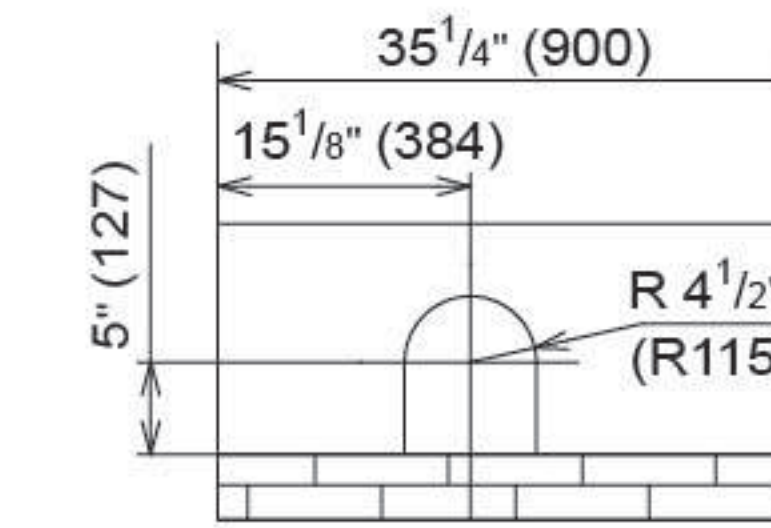


Exhaust pipe through ceiling

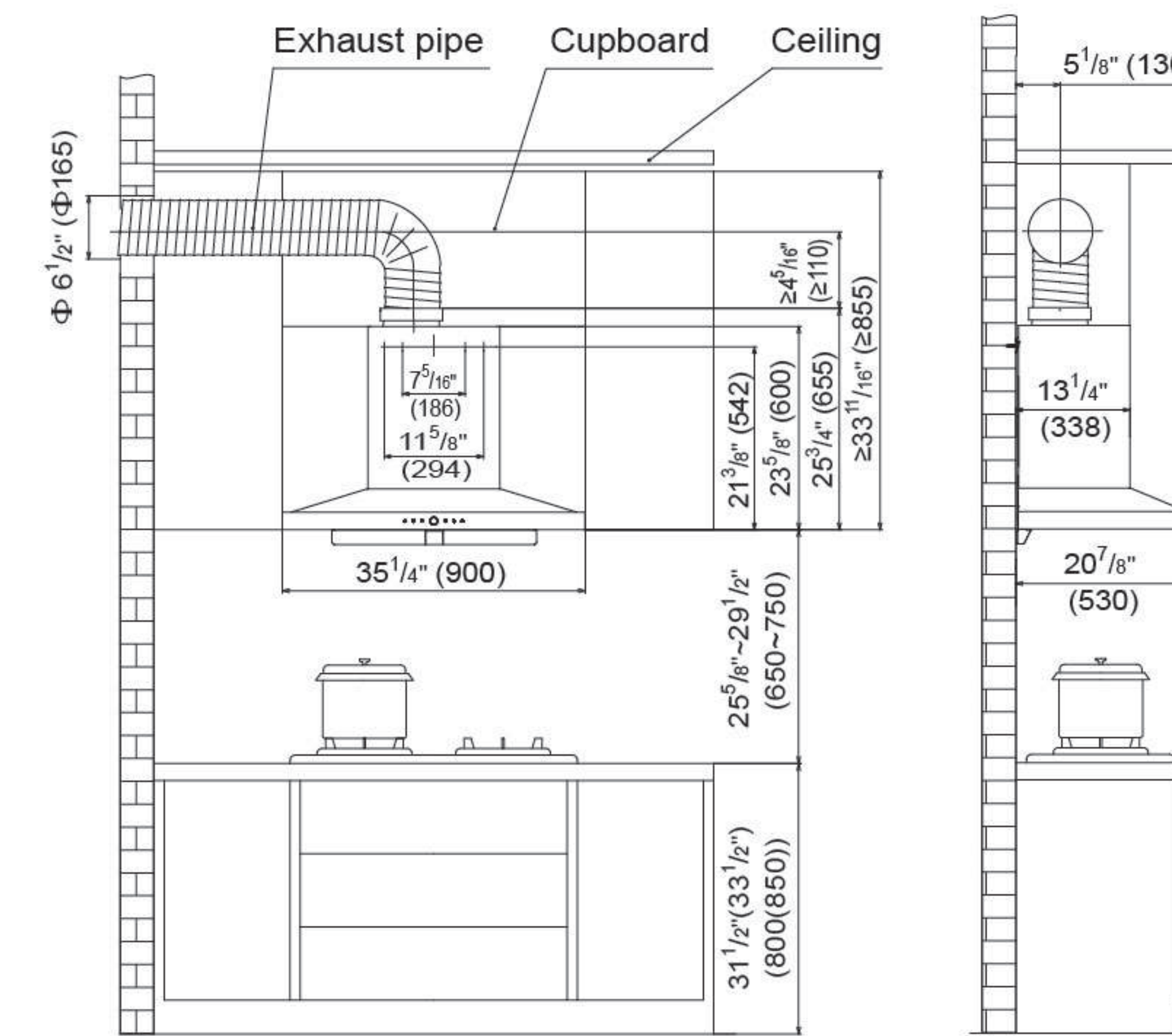


EMS9018

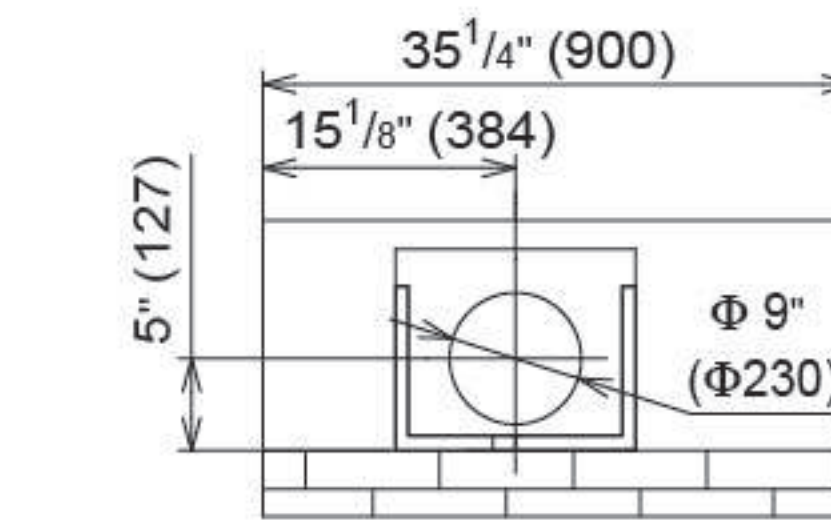
Hole Size of Cabinet on Top Surface



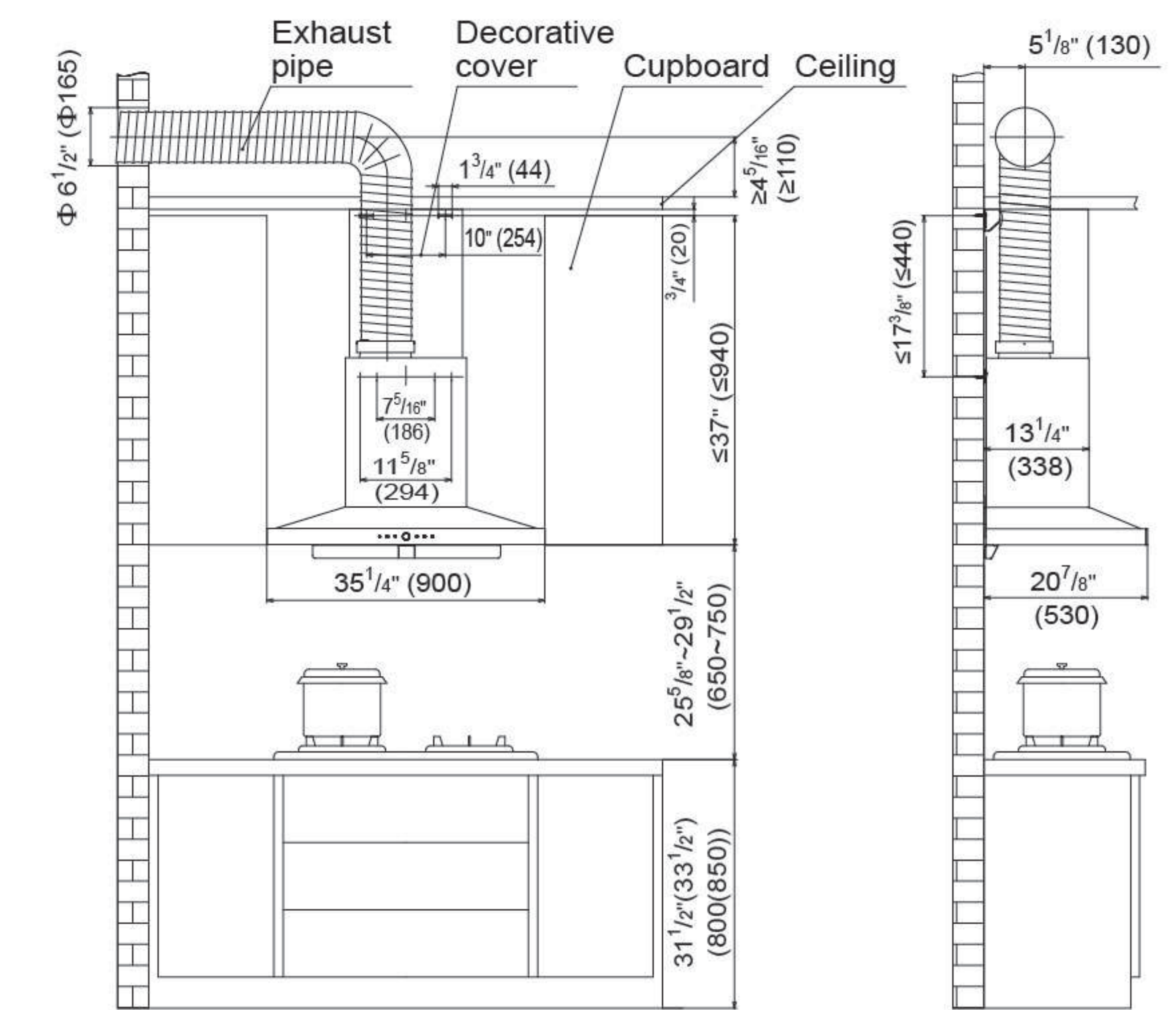
Exhaust pipe through cabinet



Installation diagram for the top decorative cover pothook.



Exhaust pipe through ceiling



Blower outer cover bottom and cabinet bottom should be even.

Preparation before installation

- Warning, Please don't make sundries into exhaust pipe to avoid damaging the range hood. Estimate the exhaust pipe position. A straight and short exhaust pipe makes smoke extraction more smooth, please refer to installation diagram. The joint between exhaust pipe and wall hole should be sealed with tape, and ensure firm connection between exhaust pipe and exhaust cover. Too small wall hole will affect smoke extraction, therefore, please broaden the wall hole to fit exhaust pipe size under safety condition.
- Tool preparation
Please prepare the following tools before range hood installation.

| | |
|---|-----------------------|
| (1). Impact electric drill (with drillbit of $\Phi 3/8''$) | (2). Cross screwdrive |
| (3). Internal hexagonal wrench (M6) | (4). Measuring taper |
| (5). Hammer | |

Installation Steps

1. Demount the two screws which is for fixing the blower outer cover, take down the blower outer cover and decorative cover. Reserve $\phi 3/8$ " drill bit for the impact electric drill.
2. Refer to Fig 1, set the right position on the wall to drill and then firmly imbed the expansion pipe. Insert wooden screws to tighten the fixed hook and decorative cover hook; you can also use two ST3.9X9.5 self-tapping screw to fix the decorative cover on the suspended ceiling.
3. Use eight M4×18 screws to fix the exhaust cover and sealing ring on the top of appliance.
4. Use ST3.9X9.5 self-tapping screws to fix the exhaust pipe on the exhaust cover.
5. Hang the hood firmly: face squarely- not slanting, side-looking-the hood will tightly stick the wall and a little lacune.
6. Install the exhaust pipe according to Fig 1: check the pipe shell is not bulging and not shriveled, curve freely. The exhaust pipe and wall should be tightly connected to prevent smoke back, the backflow barrier blade should be up and down smoothly.
7. Confirm the churn drilling hole position according to Fig 2, firmly imbed the expansion pipe, fix the safety block, and screw in the wooden screw to fix.
8. Blower outer cover and decorative cover installation
 - (1) Put the decorative cover inside of the blower outer cover.
 - (2) Take up the blower outer cover and decorative cover meantime; inject the decorative cover into its pothook, then push the decorative cover and blower outer cover along the pothook assembly to the end.
 - (3) After pushing the decorative cover and blower outer cover to the end, the blower outer cover will slip down slowly, and inject the blower outer cover buckle to the blower rack, then insert the blower outer cover to the gap which is between top panel and blower rack.

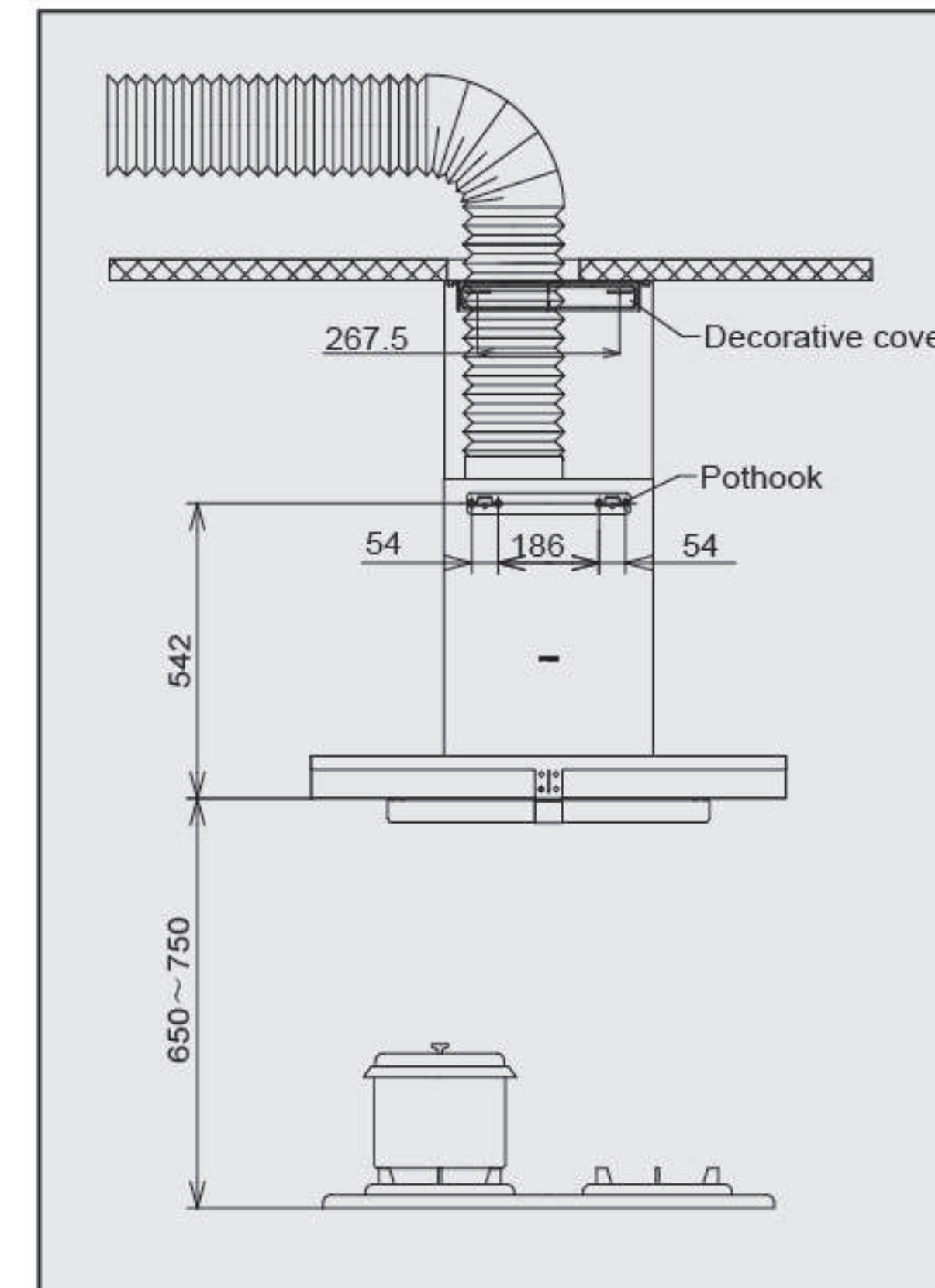


Fig.1

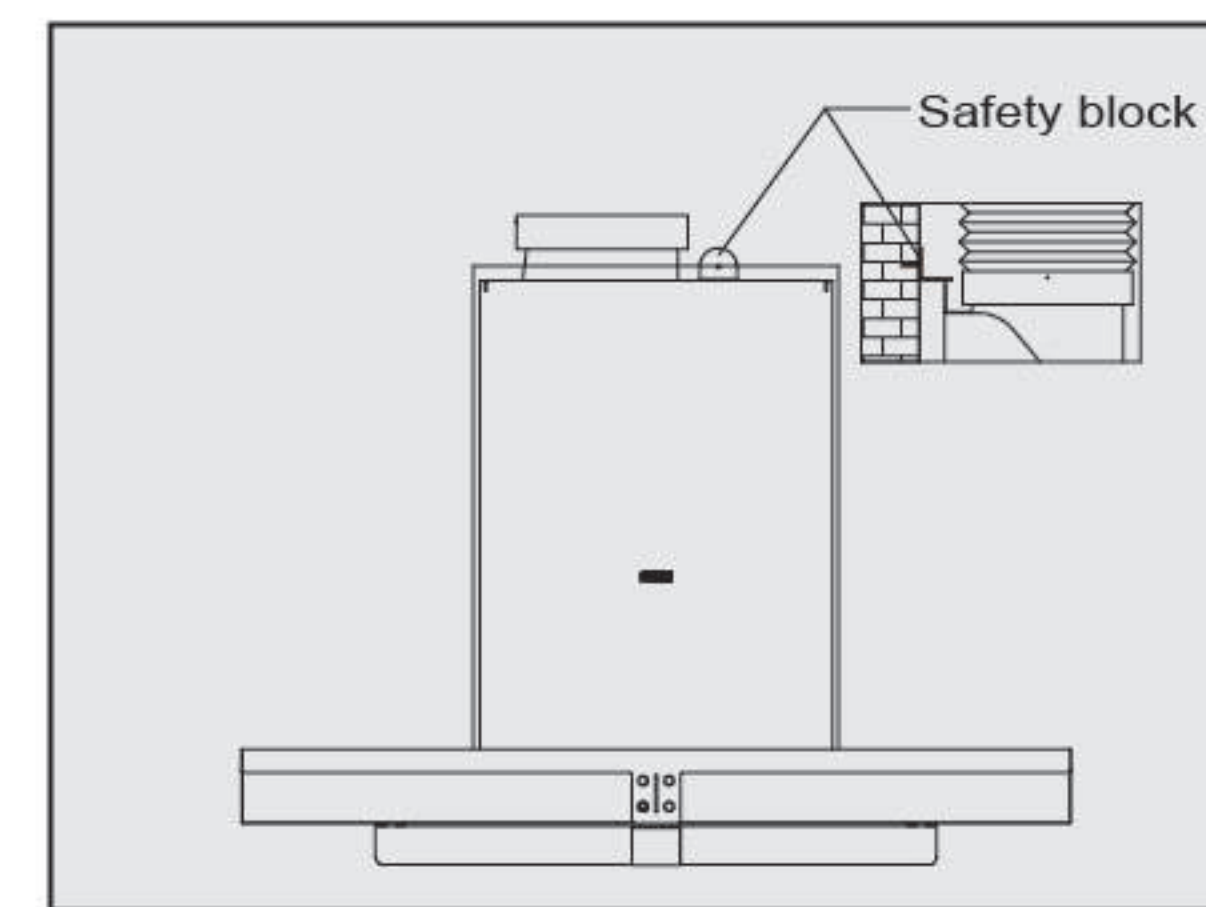


Fig.2

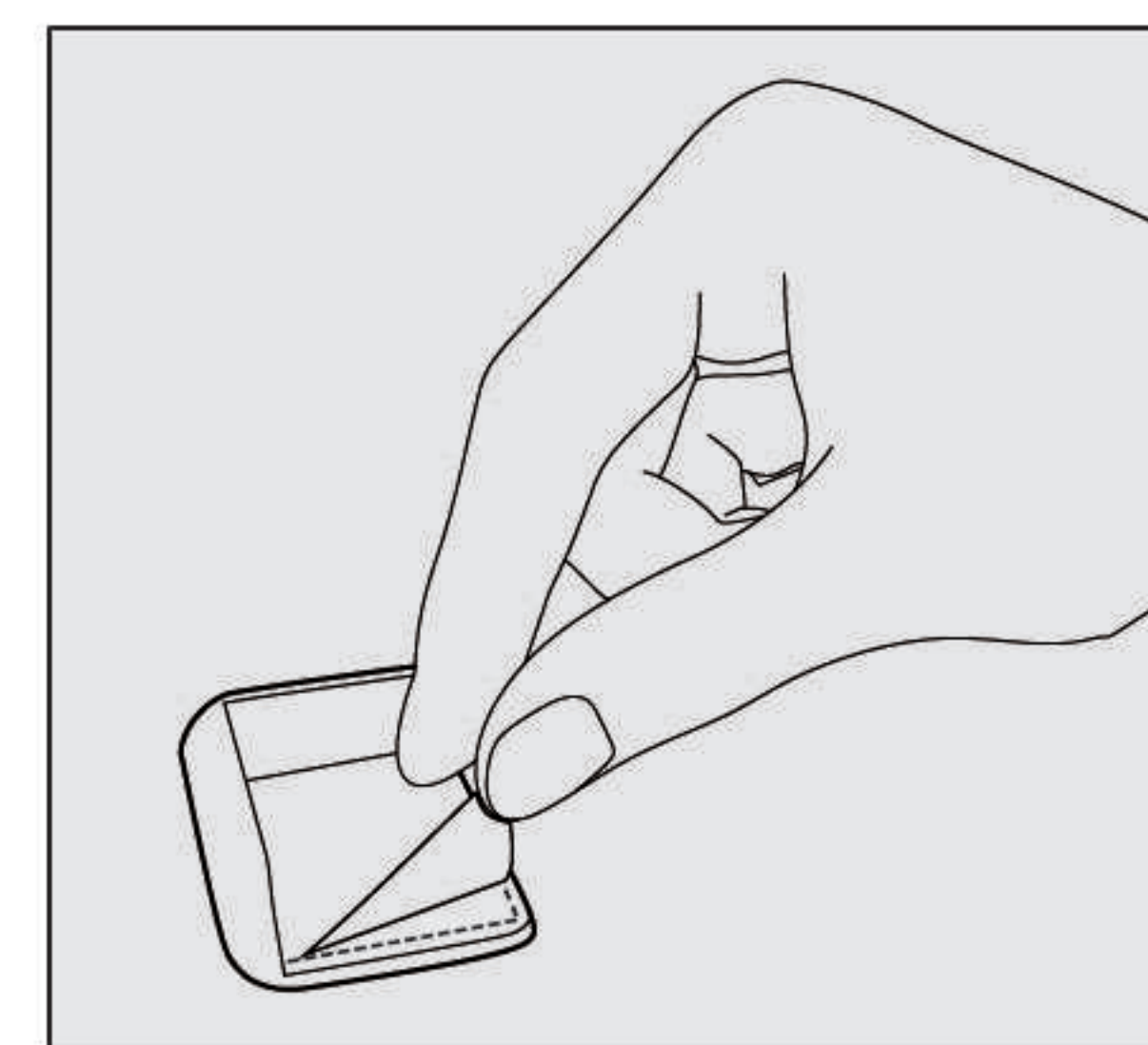


Fig.3



- a. Please take down the blower outer cover before installation.
- b. If you install the range hood matching with cabinet, then exchange Step (4) and Step (5).
- c. Please select right drill bit according to the drilling place specific situation.

9. Installation of ring suction plate

- (1) Hold the front side of the ring suction plate firmly with both hands, and place the left and right pothooks on the rear side of ring suction plate into the left and right hook racks of the smoke collecting hood;
 - (2) Prop the ring suction plate with both hands, make it spiral upward, push in while the ring suction plate spirals, finally make the touch claw on the ring suction plate insert into the touch button on the smoke collection hood;
10. Install anti-collision accessories, firstly remove the double faced adhesive tape (see Figure 3), then stick the anti-collision accessories to the corner of the smoke exhaust (see Figure 4);
 11. Install the oil cup assemblies(see Figure 5);
 12. Insert the host power plug into the power outlet.

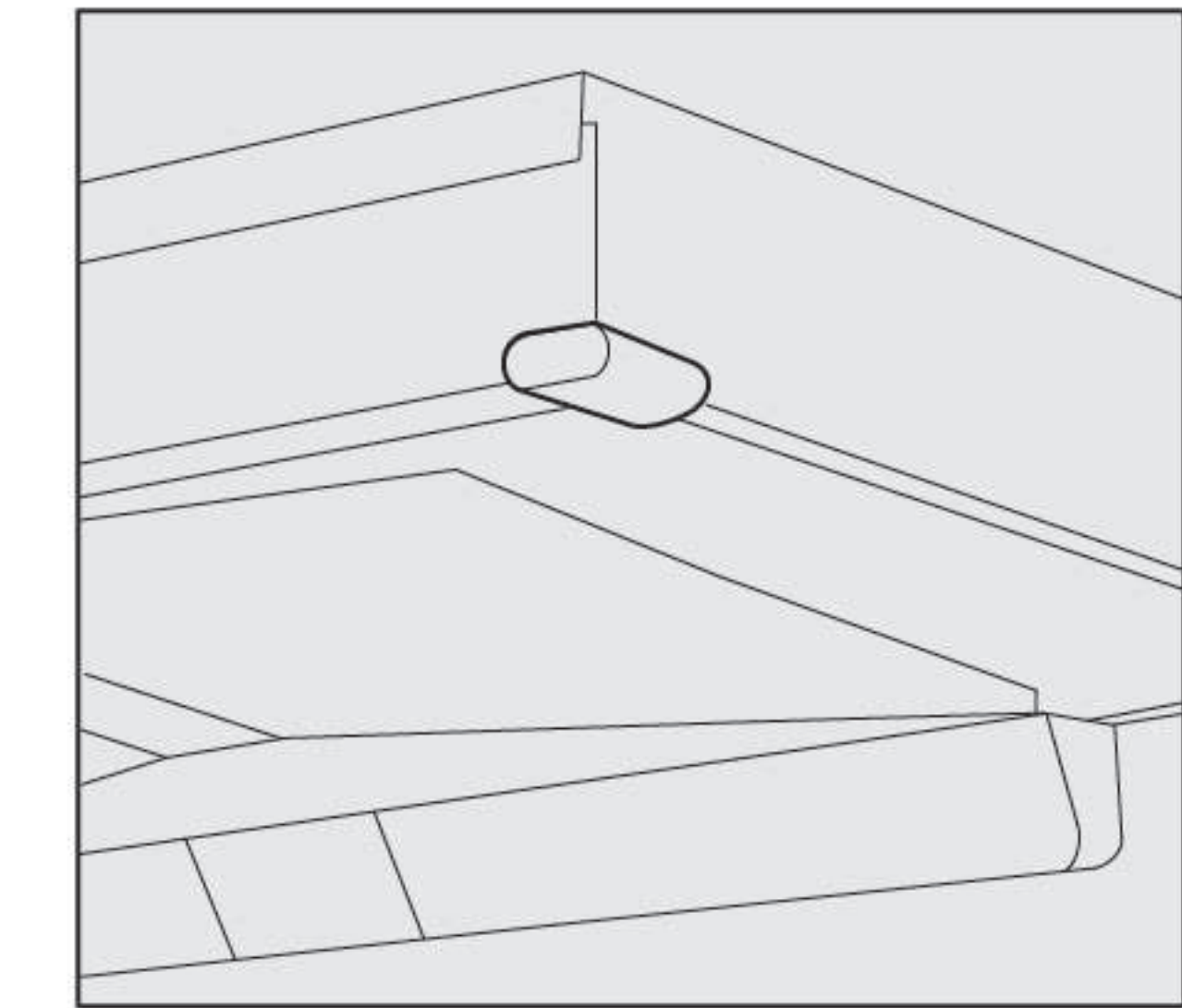


Fig.4

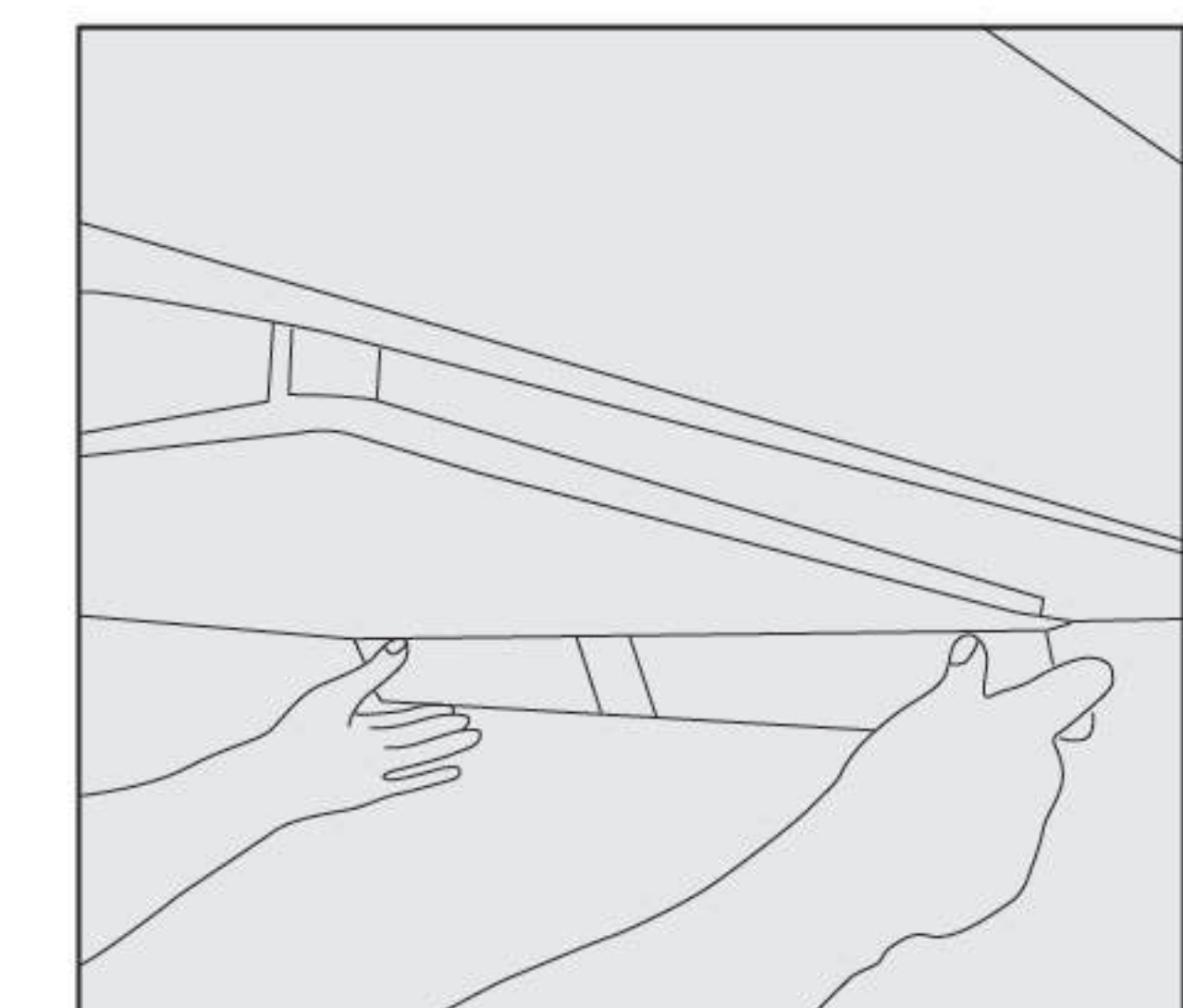


Fig.5

Debugging

1. Connect the power plug.
2. Press the "☼" button, check the light
3. Press the "⚙️" button, to check if the motor is at normal operation. If there is abnormality, Please turn off the power immediately, and check if it is the problem of installation. (Please contact with FOTILE distributor or service center.)
 - (1) The body of hood shakes heavily.
 - (2) The expansion pipe is loose.
 - (3) The impeller doesn't work.
 - (4) Big noise from the impeller running.
 - (5) Abnormal noise from motor.
4. press the Power key, the turbine and the light are off.

Main Technical Specifications

| | | |
|-------------------------------------|--------------------------------|-------------|
| Model | EMS9016/EMS9017/EMS9018 | |
| Voltage/Frequency | 120V/60Hz | |
| Rated power input of the range hood | 310W (light power included 2W) | |
| Speed | High setting | Low setting |
| CFM(HVI) | 460 | 350 |
| Noise(sones) | 3.6 | 2.2 |
| Noise(dB(A)) | 64 | 58 |
| Max static pressure(Pa) | 500 | |

Caution:

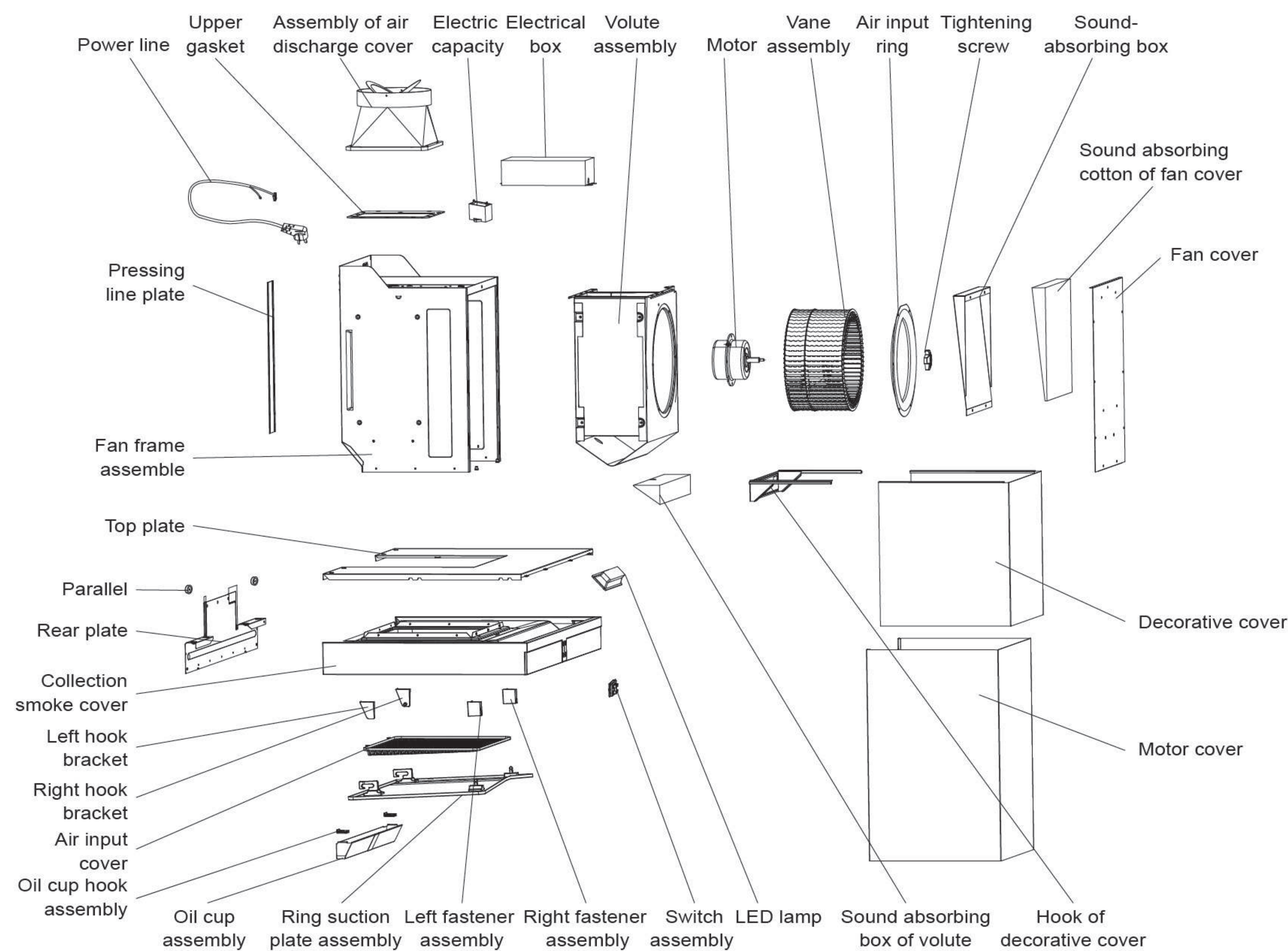
1. The dB(A) noise in the above table is tested in accordance with IEC60704 standard, which indicates the sound power level. Pressure level, to answer for : high setting 50 dB、 low setting 44 dB.
2. The noise --Sones -- in the above table is tested in accordance with HVI-915-2015 in HVI-accredited laboratories in American.
3. Such parameters as air volume and noise may have a deviation of less than 10%.



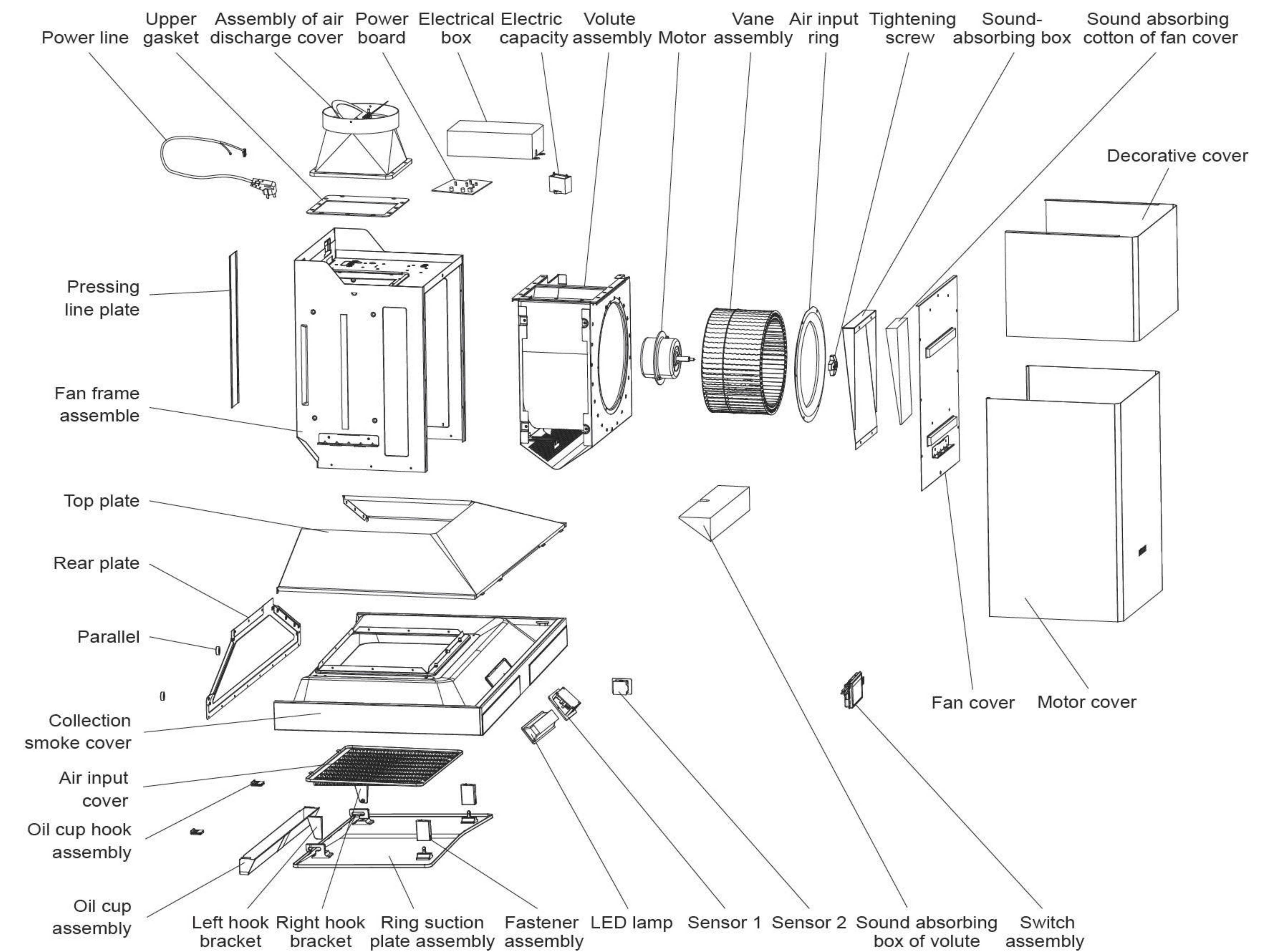
HVI-2100 CERTIFIED RATINGS comply with by the Home Ventilating Institute, for off-the-shelf products, as they are available to consumers. Product performance is rated at 0.1 in. static pressure, based on tests conducted in a state-of-the-art test laboratory. Sones are a measure of humanly-perceived loudness, based on laboratory measurements.

Component Name Diagram

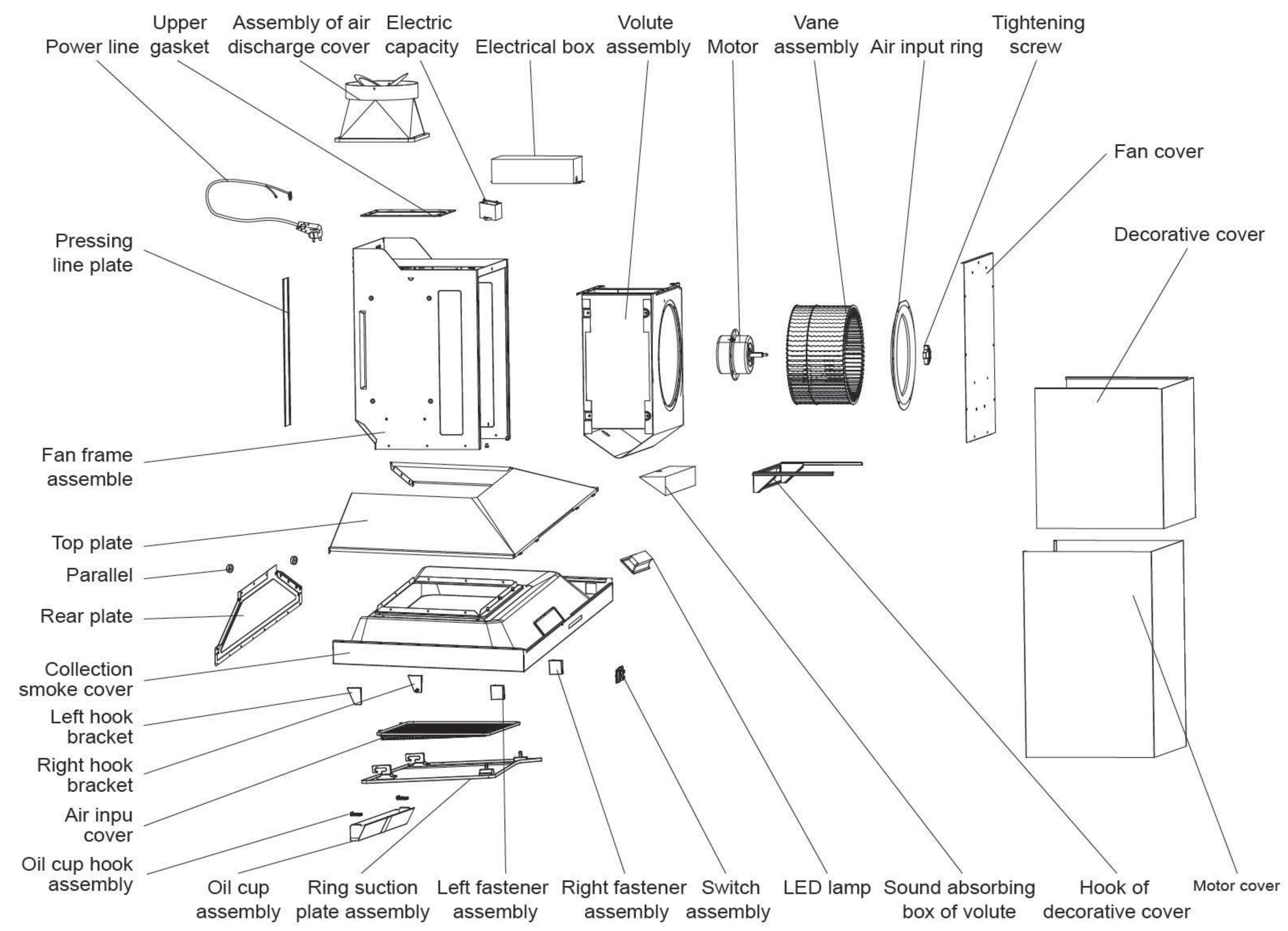
EMS9016



EMS9017



EMS9018



FOTILE 方太

使用說明書

請妥善保管，以備參閱

使用產品前請仔細閱讀
本說明書

吸油煙機

EMS9016

EMS9017

EMS9018

高效靜吸

尊敬的用戶，您好！感謝您選購方太公司為您精心制造的方太系列產品，使用前請通讀本說明書，您將從中了解正確的操作規範，並享受到全新的下廚樂趣。

方太對您的承諾是“讓家的感覺更好”。我們有責任使您對嶄新的方太產品感到滿意，請您在使用前務必認真閱讀《使用說明書》，並遵從說明書要求進行使用，本說明書的操作說明對於維持產品的良好工作狀況十分重要，若因使用不當造成產品故障，您將喪失免費保修的權利，任何直接或間接的免費保修申請將不被本公司當地售後服務中心所接受。同時我們建議您在質量保證期內及保證期後需要維修時請與售後服務中心聯繫，這對您和我們都是非常重要的。如果沒有好的服務，您等於只購買到一半的產品，方太更佳感覺星級服務宗旨就是“努力，讓顧客完全滿意”。我們的售後服務中心將為您提供寧波方太廚具有限公司純正的零部件及專業的技術支持，使您的產品得到優質快捷的維修保障，同時讓您得到最輕鬆細心的服務。




目錄

| | |
|------------|----|
| 目錄 | 1 |
| 安全注意事項 | 2 |
| 裝箱單 | 5 |
| 安裝使用說明 | 6 |
| 主要技術參數 | 8 |
| 安裝4要 | 9 |
| 安裝12步 | 9 |
| 使用5防 | 10 |
| 安裝後的調試 | 10 |
| 清潔、保養和維護 | 13 |
| 整機拆卸6步 | 14 |
| 常見故障的識別與處理 | 15 |
| 部件名稱圖 | 15 |

安全注意事項


爲了避免對使用人員及其他人員造成危害及財產損害，特作如下區分及標志。
均爲有關安全的重要事項，敬請嚴格遵守，并在充分理解內容的基礎上正確使用。






■ 根據危害、損害程度進行的內容區分






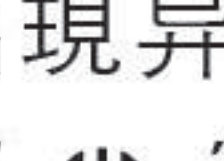
| | |
|---|-------------------------------------|
|  危險 | 若忽視這一標志，并進行錯誤操作，極有可能導致人員危險，重傷或引起火災。 |
|  警告 | 若忽視這一標志，并進行錯誤操作，有可能導致人員危險，重傷或引起火災。 |
|  注意 | 若忽視這一標志，并進行錯誤操作，有可能導致人員受傷或造成物品損害。 |
| 建議 | 爲了安全、正確地進行使用，希望予以了解的內容。 |

■ 注意、禁止內容的圖標



 **警告**：請嚴格按照本說明書規定使用，由于本產品不當使用造成的任何財產損失、人身損害，本公司不承擔責任。

|  危險 | |
|---|---|
|  禁止 嚴禁電機、開關、接插件等電器部件沾水；禁止用水衝洗吸油煙機。吸油煙機被水淋濕后，請不要使用；如果使用會導致漏電、觸電等事故。 |  禁止 請不要對電源綫進行改制、拉伸、結扣以及施加重物、擠壓等，否則易導致電源綫破損而發生觸電和火災等事故。 |
|  禁止 請不要讓兒童自己單獨使用，否則有可能導致觸電或其他意外傷害。 |  禁止用潮濕的手操作 請不要用潮濕的手觸摸電源插頭、電器部件以及操作電源開關，否則易發生觸電事故。 |

|  危險 | |
|--|--|
|  嚴格執行 在清洗吸油煙機、提供安裝或維修服務之前，必須切斷電源，以免觸電。 |  嚴格執行 禁止私自改動吸油煙機內部布綫；否則，有可能會發生異常動作導致人體受傷；修理不妥還可能發生觸電、火災等危險。 |
|  嚴格執行 油鍋着火時，請立即關閉吸油煙機（吸油煙機的運行會助燃火勢），采用有效的滅火方法滅火。例如，用金屬的蓋子將明火蓋住，立即關閉燃氣總閥門，并使易燃物遠離明火。 |  嚴格執行 出現異常現象時，將電源開關按到“  ”（停止），撥下電源插頭或者切斷總電源，馬上與本公司當地售後服務中心聯系。異常狀態下連續運轉易發生觸電、火災等危險。 |

|  警告 | |
|---|---|
|  嚴格執行 爲確保安全和安裝順利，請使用隨機附件進行安裝（特別是膨脹管和膨脹螺栓，必須使用隨機附件，否則吸油煙機有掉下的危險）；安裝膨脹管時，膨脹管與牆孔的配合一定要緊密，嚴禁鑽孔過大，以免膨脹管鬆動，造成意外跌落！ |  嚴格執行 吸油煙機應使用專用電源插座，并且專用電源插座應有可靠接地；因電源綫中途連接、使用延長綫以及多口配綫器時易發生觸電、插頭插座發熱以及火災。請確保由專業的電工來進行，并且要嚴格按照所有適用的國家和地方的電力法規；在接綫以前，請先關閉電源并采取合理措施防止電源開關自動閉合。 |
|  嚴格執行 如果電源軟綫損壞，爲了避免危險，必須由制造商、其維修部或類似部門的專業人員更換。 |  嚴格執行 遵照加熱設備廠家的安全指南，同時要遵照消防等管理部門頒布的安全標準進行。 |
|  嚴格執行 當吸油煙機與燃燒燃氣或其他燃料的爐竈同時使用時，房間必須通風良好。 |  嚴格執行 本產品僅供家庭日常使用，請不要用于商業用途或在其它特殊環境中使用（例如：室外）；也不能用來排出有危險的或者容易爆炸的物質或者氣體。 |
|  嚴格執行 吸油煙機的安裝以及電路的設置必須要由有經驗的專業人員進行，非專業人員請勿安裝。在安裝時要遵守所有相關的法規、標準，包括與火災有關的說明。用戶自行安裝易發生觸電、脫落、起火等危險。 |  嚴格執行 出風管必須確保排到室外。爲了避免火災的發生并保持空氣清新，請將廢氣排到室外。請不要將廢氣排到牆內、閣樓、車庫中。 |

警告



禁止拆卸

非專業人員請勿拆卸、安裝及維修吸油煙機。



嚴格執行

請勿觸摸已經開啓或者剛關閉不久的燈泡，以免燙傷。



禁止

禁止爐火直接烘烤吸油煙機。



嚴格執行

如果不按本說明書規定的方法清洗，吸油煙機有起火的危險。



嚴格執行

請養成外出、就寢或使用後及時關閉竈具開關按鈕及燃氣總閥門，定期更換、檢查煤氣管道的習慣，煤氣泄漏報警裝置不能完全避免煤氣泄漏事故。

注意



嚴格執行

由于本吸油煙機的安裝程序比較複雜，且重量較重，因此最好由專業安裝維修人員按照說明書進行安裝。



嚴格執行

在移動吸油煙機進行安裝、清潔或者修理前，務必切斷電源，以免觸電；在進行安裝、清潔或修理時，應佩戴防護手套，以防被吸油煙機內金屬板快口傷手。



嚴格執行

當進行切割或者在牆壁房頂上或者天花板上鑽孔時，請注意不要損壞電綫以及其他隱藏的設備。



嚴格執行

在密封性良好的建築物中使用吸油煙機時，應保證有一空氣入口，或將門稍開一些，保證空氣流通。



嚴格執行

當油杯內的儲油達到油杯容積的三分之二時，請及時清理，防止溢出。油杯中所收集的廢油請勿食用！



嚴格執行

安裝吸油煙機的牆壁要有足夠的支撐強度，對於中空牆壁，中空板實心層的厚度必須大於1¹/₈inch以上，對於混凝土牆壁可直接打安裝孔。整機必須牢固安裝在牆壁上。



嚴格執行

吸油煙機使用環境的溫度不能超過104°F。



禁止

吸油煙機排出的廢氣不能排放到用於排出燃燒燃氣或其他燃料的煙霧使用的熱煙道中。

建議

- 吸油煙機若長期不使用時，請將電源插頭從插座中拔出來。
- 新吸油煙機的包裝
請以環保的方式處置這些包裝材料，保持一個良好的環境。
請勿讓兒童玩耍塑料薄膜和包裝箱，這可能會產生窒息事故，所以請讓包裝材料遠離兒童，包裝材料不是玩具。
- 舊吸油煙機的處理
當舊的吸油煙機無法再使用時就應該丟棄它。建議處理成無法再次使用的狀態後進行丟棄。
舊的吸油煙機中包含可再利用的有用材料。請協助正確處理或回收利用，從而對環境保護作出貢獻。
- 使用新的吸油煙機之前
如果發現吸油煙機有明顯的損壞，請勿安裝使用。請您立即與本公司當地售後服務中心聯繫。
作為一個使用者，您對家中使用的吸油煙機負有保養和正確使用的責任。
- 為確保您能正確地、更安全地使用本吸油煙機，在使用之前請您仔細閱讀您所購買的吸油煙機的使用說明書，並嚴格遵守使用說明書中的注意事項。

裝箱單

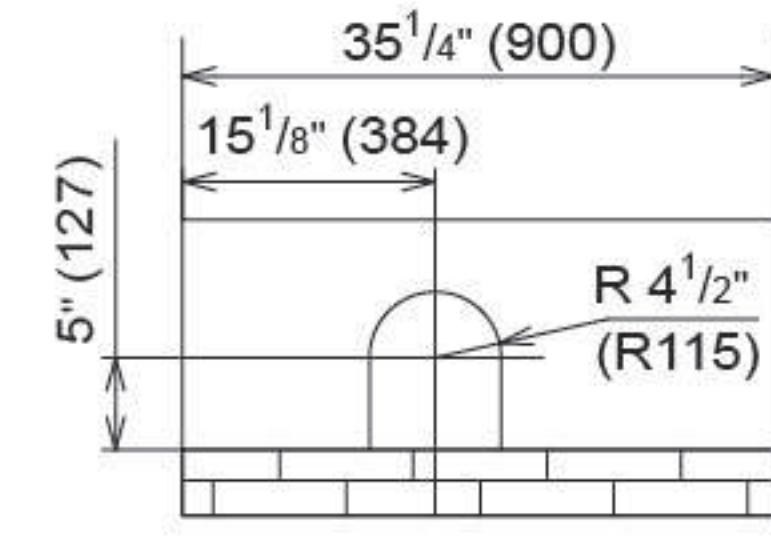
請您開箱後逐一檢查以下產品和附件是否齊全，如有缺少或損壞：

- 屬本公司或銷售商責任的，請與銷售商聯繫處理；
- 屬用戶自行責任的，請就近與本公司當地售後服務中心聯繫。

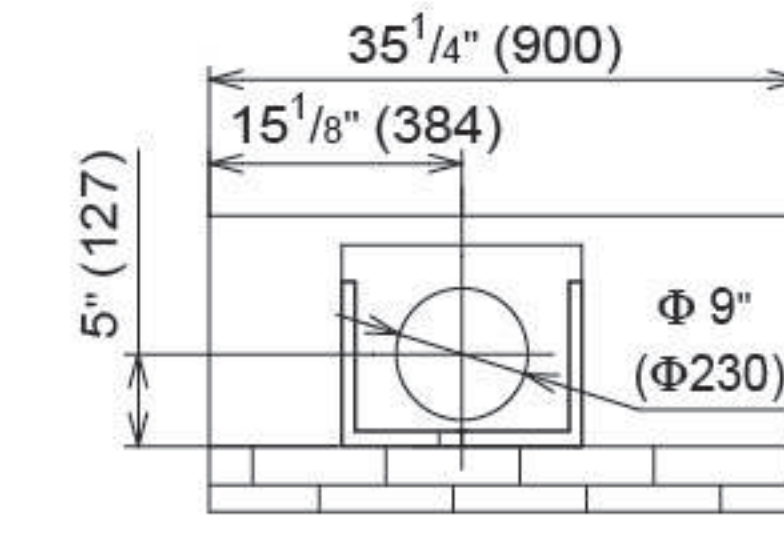
| | | | |
|-------------------------|-----|---------|-----|
| ■ 主機 | 1 臺 | ■ 蝶翼板組件 | 1 套 |
| ■ 出風罩部件 | 1 套 | ■ 木螺釘 | 7 個 |
| ■ 掛鈎 | 1 個 | ■ 油杯組件 | 1 套 |
| ■ 裝飾罩 | 1 個 | ■ 上密封墊 | 1 個 |
| ■ 裝飾罩掛鈎 | 1 套 | ■ 安全擋塊 | 1 個 |
| ■ 十字槽盤頭自攻鎖緊螺釘M4X18 | 8 個 | ■ 使用說明書 | 1 份 |
| ■ 十字槽大扁頭自攻螺釘ST3.9×9.5鍍鋅 | 6 個 | ■ 防撞配件 | 1 套 |
| ■ 膨脹管 | 7 個 | | |

EMS9018

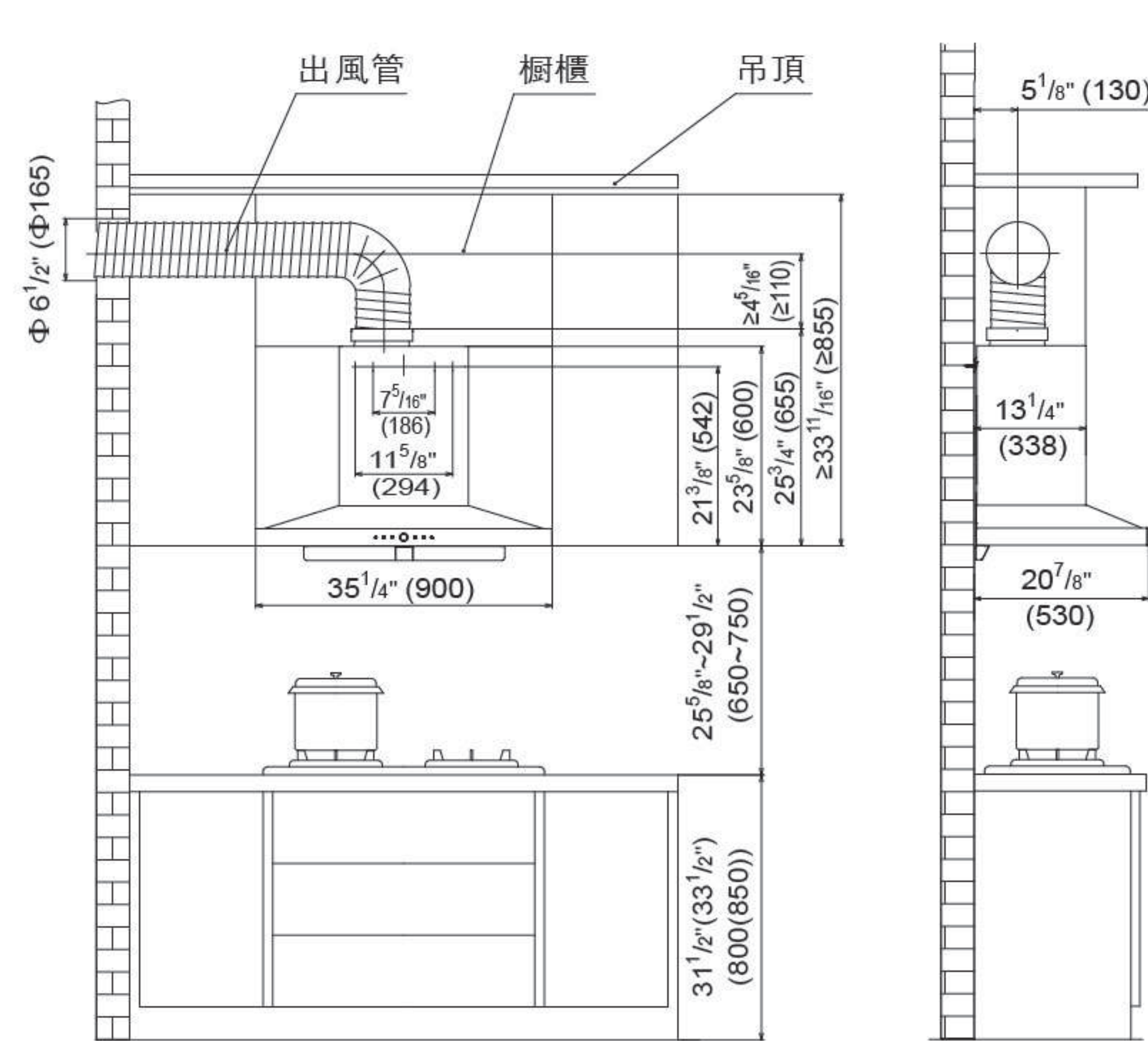
頂面出風管開孔尺寸：



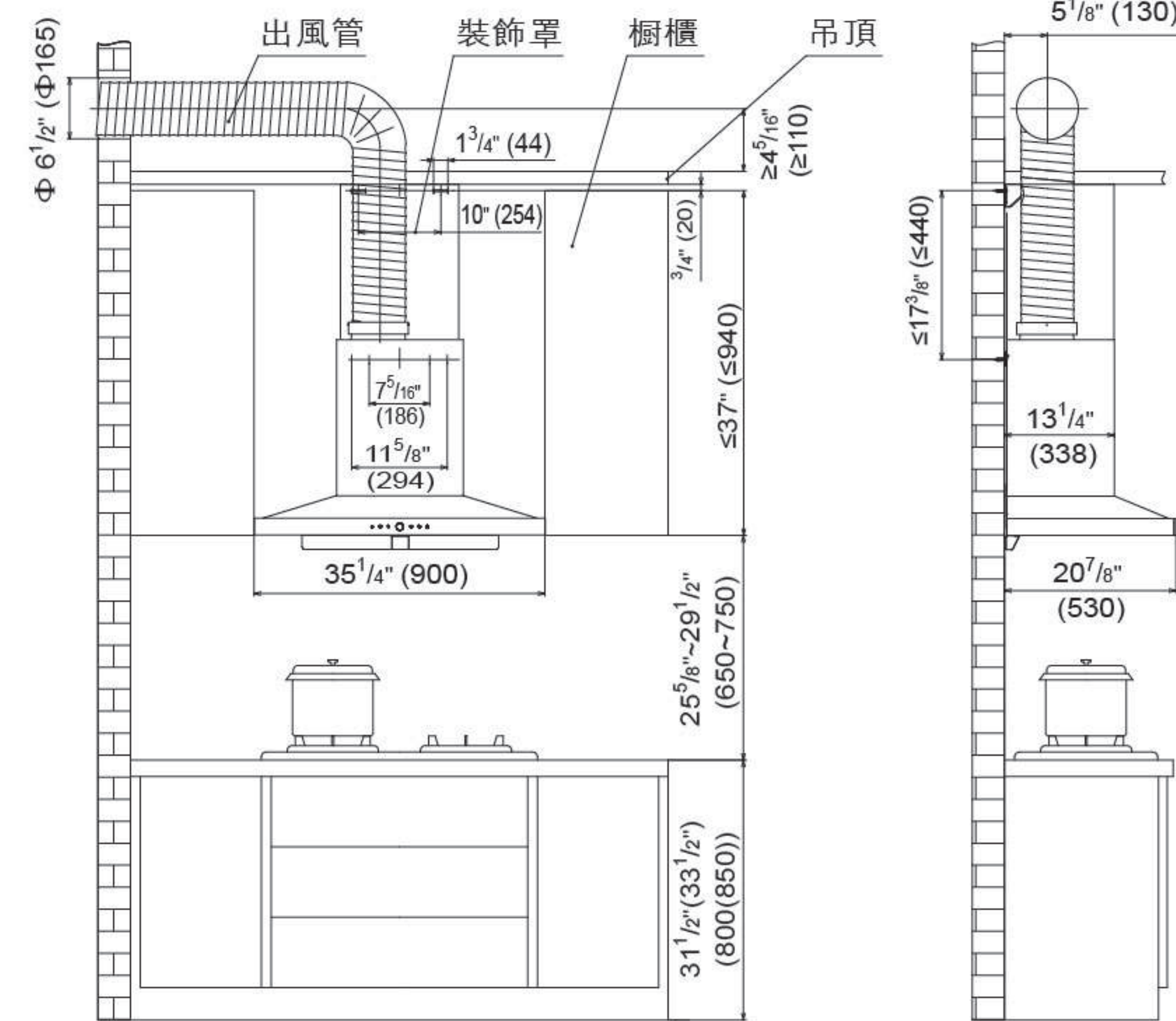
頂面裝飾罩掛鉤及出風管安裝示意圖：



出風管走櫥櫃安裝示意圖：



出風管走吊頂安裝示意圖：



■ 安裝前的準備工作

⚠ **警告：** 為了不對吸油煙機造成損害，請確保不要讓雜物等進入排風口。

——估算吸油煙機通到室外的出風管的位置，參見安裝示意圖。

——一個直線的、較短の出風管將使得吸油煙機的排煙更加順暢。

——盡量避免使用過長以及有較多彎道的出風管，使用這些管道將影響吸油煙機的排煙效果。

——出風管與牆孔的連接處使用管道膠帶嚴格進行密封。必須確保出風管與出風罩連接牢固。

——牆洞過小會影響排煙效果，在保證安全的前提下，建議擴孔至原配出風管尺寸。

● 工具準備：

安裝本吸油煙機應具備以下工具：

- | | | |
|---------------------|-----------|----------|
| (1) 衝擊電鑽(帶鑽頭Φ 3/8") | (2) 十字螺絲刀 | (3) 鋼絲鉗 |
| (4) 卷尺 | (5) 榔頭 | (6) 玻璃膠槍 |

主要技術參數

| | |
|----------|-------------------------|
| 型號 | EMS9016/EMS9017/EMS9018 |
| 電壓/頻率 | 120V/60Hz |
| 整機額定輸入功率 | 310W (包含燈功率2W) |

| 型號 | EMS9016/EMS9017/EMS9018 | |
|-----------|-------------------------|-----|
| 檔位 | 高檔 | 低檔 |
| CFM(HVI) | 460 | 350 |
| 噪音(sones) | 3.6 | 2.2 |
| 噪音(dB(A)) | 64 | 58 |
| 最大靜壓(Pa) | 500 | |

注：
 1. 上表dB(A)噪音按照IEC60704標準測得，所示為聲功率級，對應聲壓級為：高檔50dB、低檔44dB。
 2. 上表Sones噪音按照HVI-915-2015標準，在HVI認可美國實驗室測得。
 3. 風量、噪音等參數可能存在10%以內的偏差。



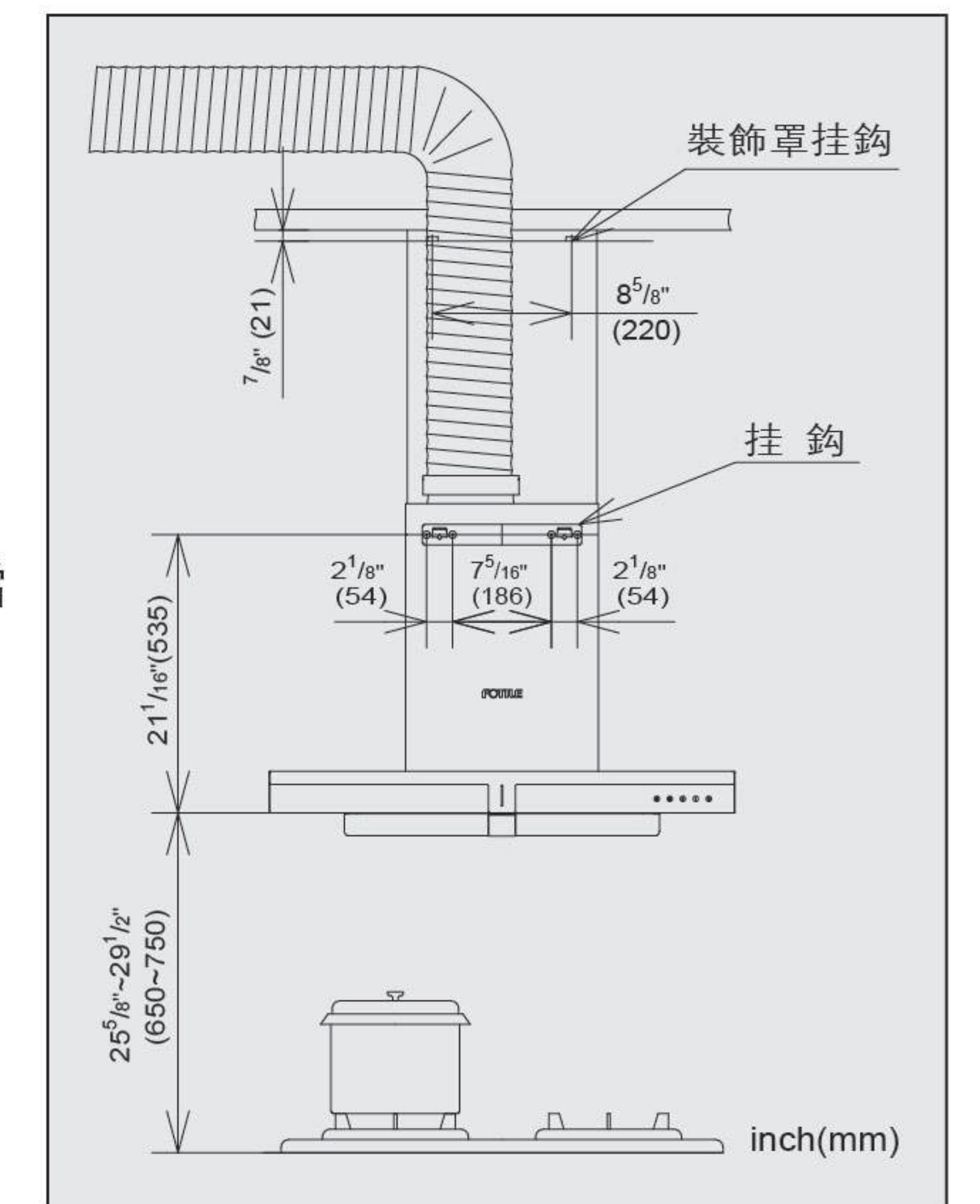
HVI-2100 CERTIFIED RATINGS comply with by the Home Ventilating Institute, for off-the-shelf products, as they are available to consumers. Product performance is rated at 0.1 in. static pressure, based on tests conducted in a state-of-the-art test laboratory. Sones are a measure of humanly-perceived loudness, based on laboratory measurements.

安裝4要

1. 整機最下端在離灶具上方25⁹/₁₆"~29⁹/₁₆"高的牆面上牢固安裝；如爐灶安裝說明規定了較大的安裝距離者，對此應予以考慮；
 2. 出風管要伸出戶外或通進共用吸冷風煙道，接口處均要嚴密；
 3. 為保證排煙效果，出風管出口處切勿變形，以免減少出風面積；
 4. 電源插座要可靠接地。
- ⚠ **警告：** 吸油煙機排出的氣體不應排到用于排出燃燒燃氣或其他燃料的煙霧使用的熱煙道中。

安裝12步

1. 將衝擊電鑽配Φ 3/8"衝擊鑽頭備用；
2. 按(圖1)在堅實的牆壁上準確確定衝擊鑽鑽孔的位置，鑽孔并牢固埋設膨脹管，固定掛鉤和裝飾罩掛鉤，旋入木螺釘擰緊；裝飾罩掛鉤前端可用2只ST3.9×9.5的自攻螺釘加強固定到吊頂上；
3. 用8只M4X18螺釘將出風罩及密封圈固定在主機頂部上；
4. 用ST3.9×9.5自攻螺釘將出風管固定在出風罩上，用鋁箔膠帶纏繞密封；
5. 牢掛主機，正視——不歪不斜，側視——機體貼牆面，與牆壁間略有縫隙；
6. 按(圖1)安裝出風管，檢查管壁不鼓不癢，彎角自如，出風管與牆壁間密封嚴密以防倒煙，止逆閥葉片啓落無阻；
7. 按(圖2)確定衝擊鑽鑽孔位置，牢固埋設膨脹管，固定安全擋塊，旋入木螺釘擰緊；
8. 風機外罩、裝飾罩安裝：
 - (1)將裝飾罩放入風機外罩內；
 - (2)把風機外罩、裝飾罩同時拿起，先把裝飾罩卡入裝飾罩掛鉤內，然後同時將裝飾罩、風機外罩沿裝飾罩掛鉤組件推到底；
 - (3)把裝飾罩、風機外罩推到底后，風機外罩緩緩滑下來，將風機外罩卡扣卡入風機架，然後將風機外罩插入頂板與風機架的間隙內。



(圖1)

9. 安裝蝶翼板：

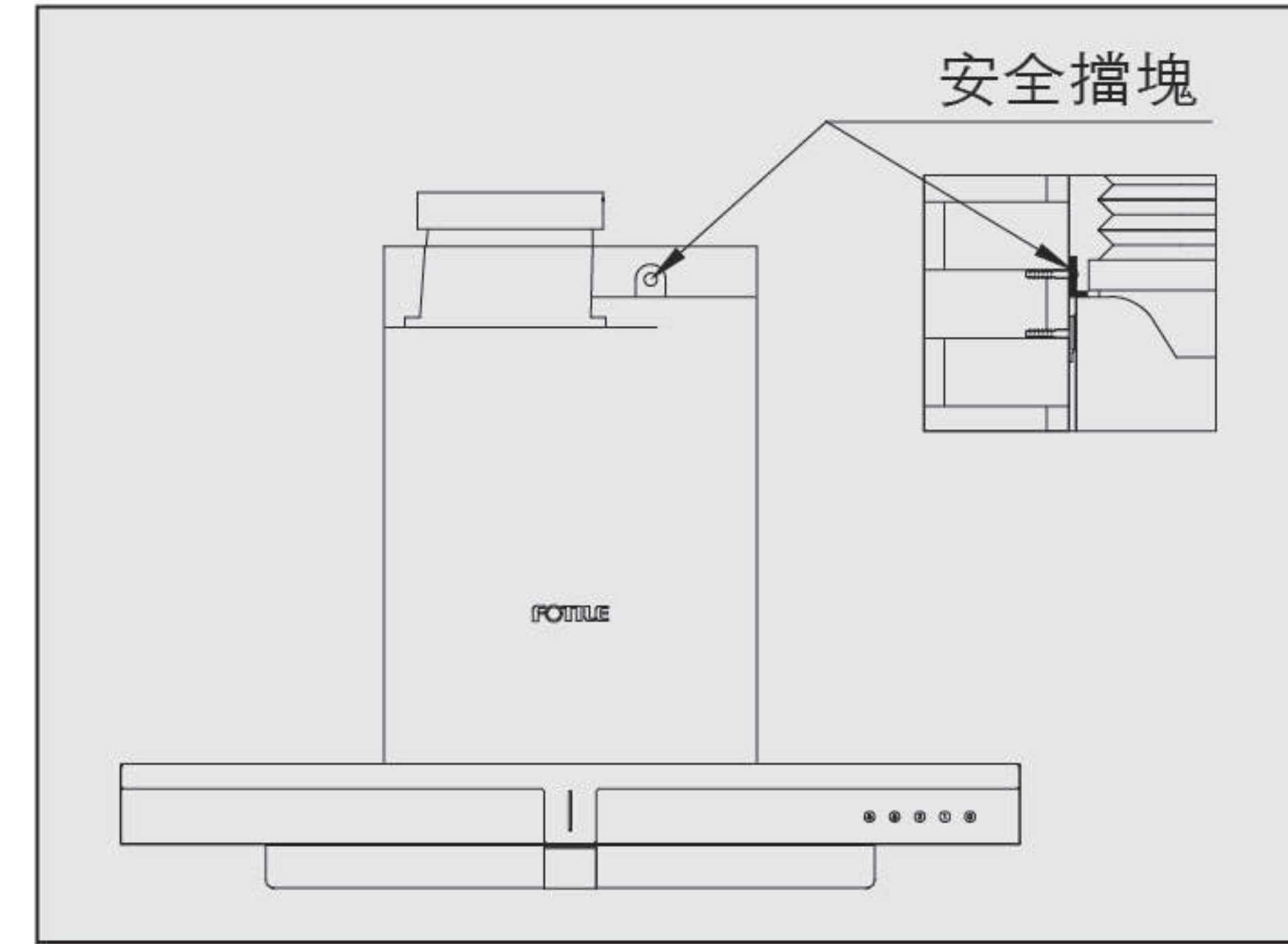
- (1) 雙手緊握蝶翼板前側，把蝶翼板后側的左右掛鉤，放入集煙罩的左右掛鉤架內；
- (2) 雙手托住蝶翼板，使其往上旋轉，蝶翼板旋轉同時往裏推，最后使蝶翼板上的碰爪剛好插入集煙罩上的碰扣內。

10. 裝上油杯組件；

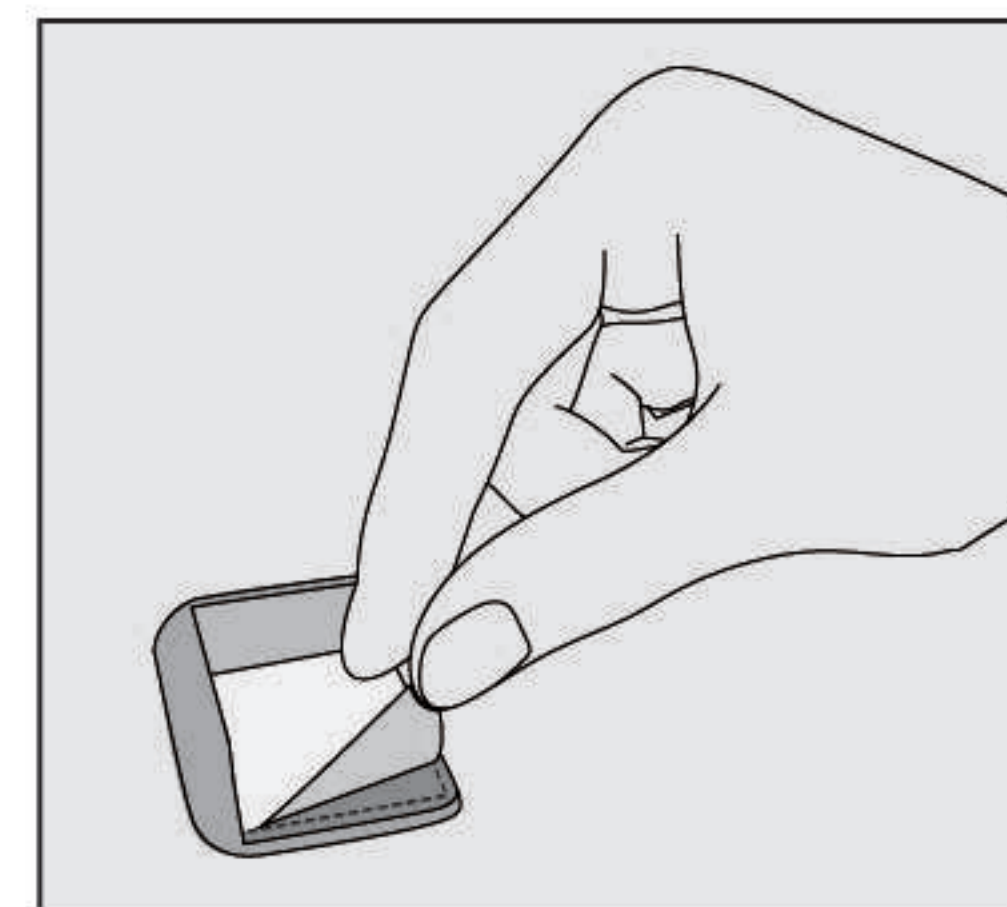
11. 安裝防撞配件：先揭去防撞配件的雙面膠（圖3），再將防撞配件粘貼在油煙機角部（圖4）。

12. 將主機電源插頭插入電源插座。

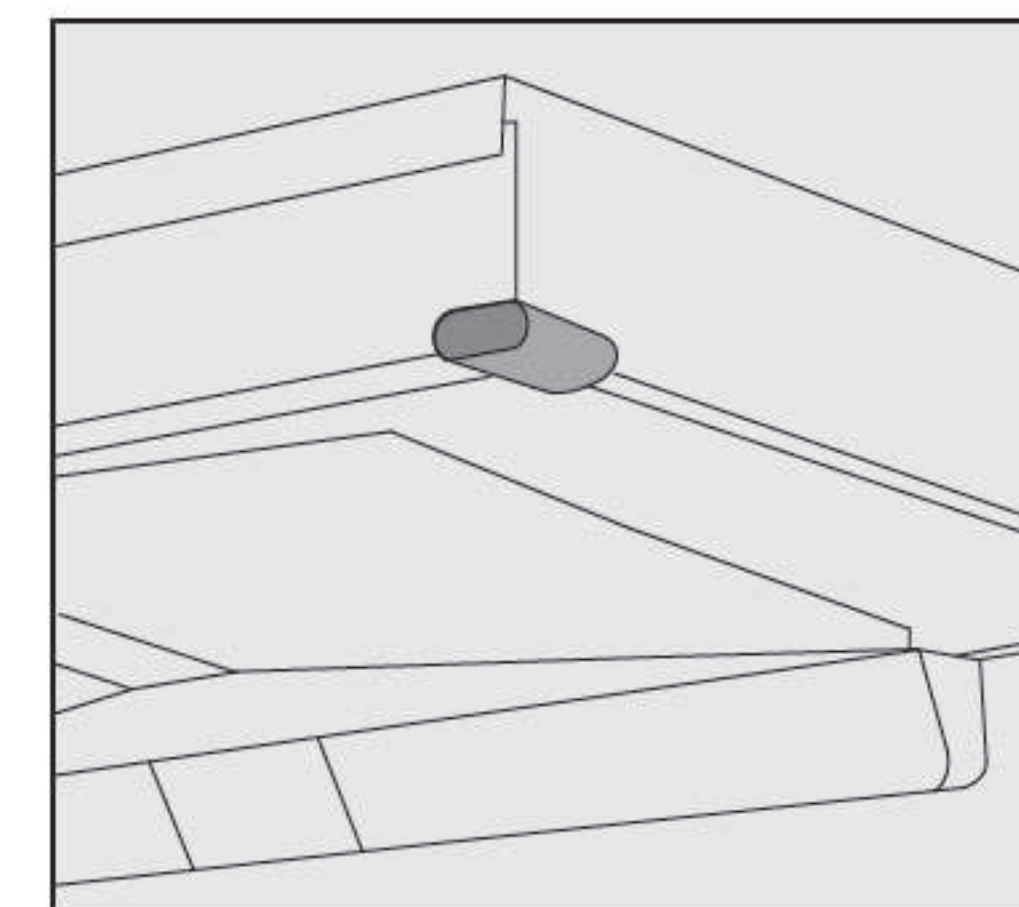
- ⚠ 注意：1. 安裝前先取下風機外罩；
2. 若與廚櫃配合安裝，步驟(4)與步驟(5)互換；
3. 根據鑽孔地方的具體情況選定鑽頭。



(圖2)



(圖3)



(圖4)

使用5防

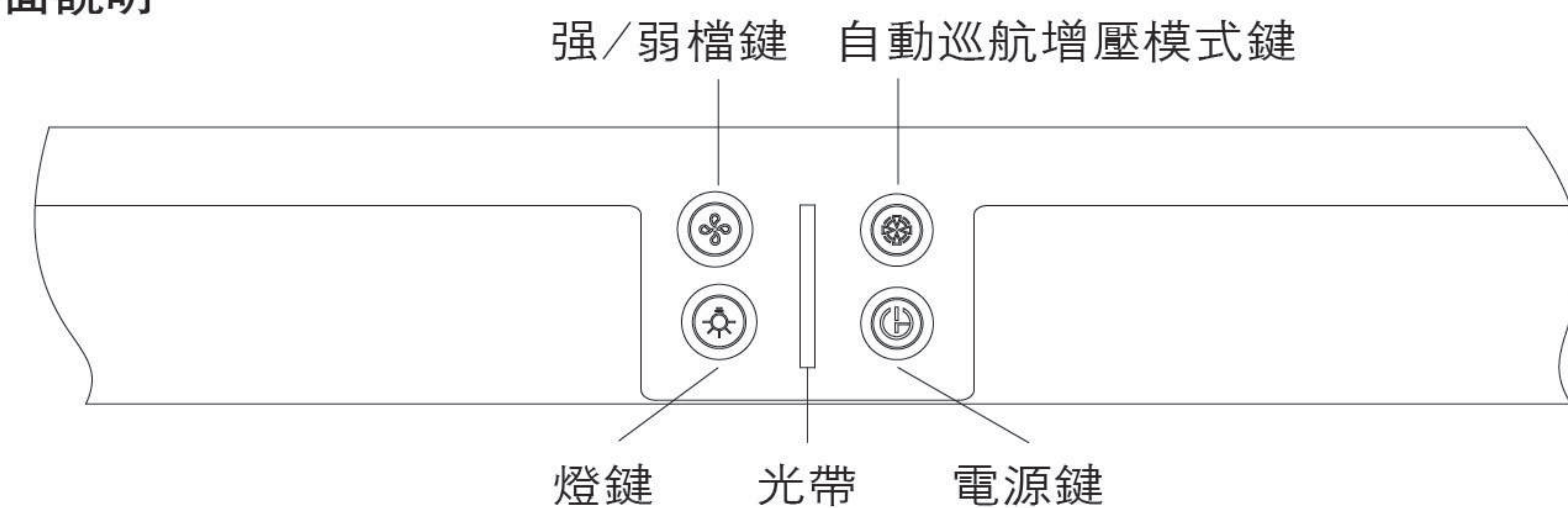
1. 防竈具空燒；
2. 防通電拆卸和違囑拆卸；
3. 防油杯油滿外溢；
4. 防非專業人員拆檢；
5. 防水洗機器開關部位。

⚠ 警告：禁止爐火直接烘烤吸油煙機。

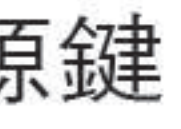
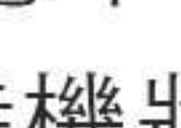


安裝后的調試

EMS9016

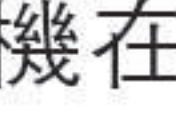



1. 操作界面說明




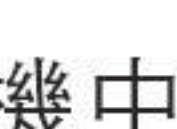
2. 操作說明：

- 1) 電源鍵
關機狀態下按一次 ，進入待機狀態，2分鐘內無其它按鍵操作，自動關機；油煙機在工作狀態/待機狀態下按一次 ，所有功能關閉；以下功能鍵皆在電源鍵開啓情況下有效。
- 2) 燈鍵
無照明時，按  一次，照明燈打開，再按  一次，照明燈關閉。

3) 自動巡航增壓模式鍵

油煙機在待機模式下或在運行的模式下，輕觸一下， 鍵指示燈全亮，吸油煙機進入增壓模式運行5秒，然后回到常態模式強檔運行， 鍵指示燈半亮，并自動檢測煙道阻力，當煙道阻力大于設定值時，風機自動跳到增壓模式運行， 鍵指示燈全亮，如果煙道阻力恢復正常，則30秒后吸油煙機跳回常態模式強檔運行。如果要關閉此功能，按  鍵即可。

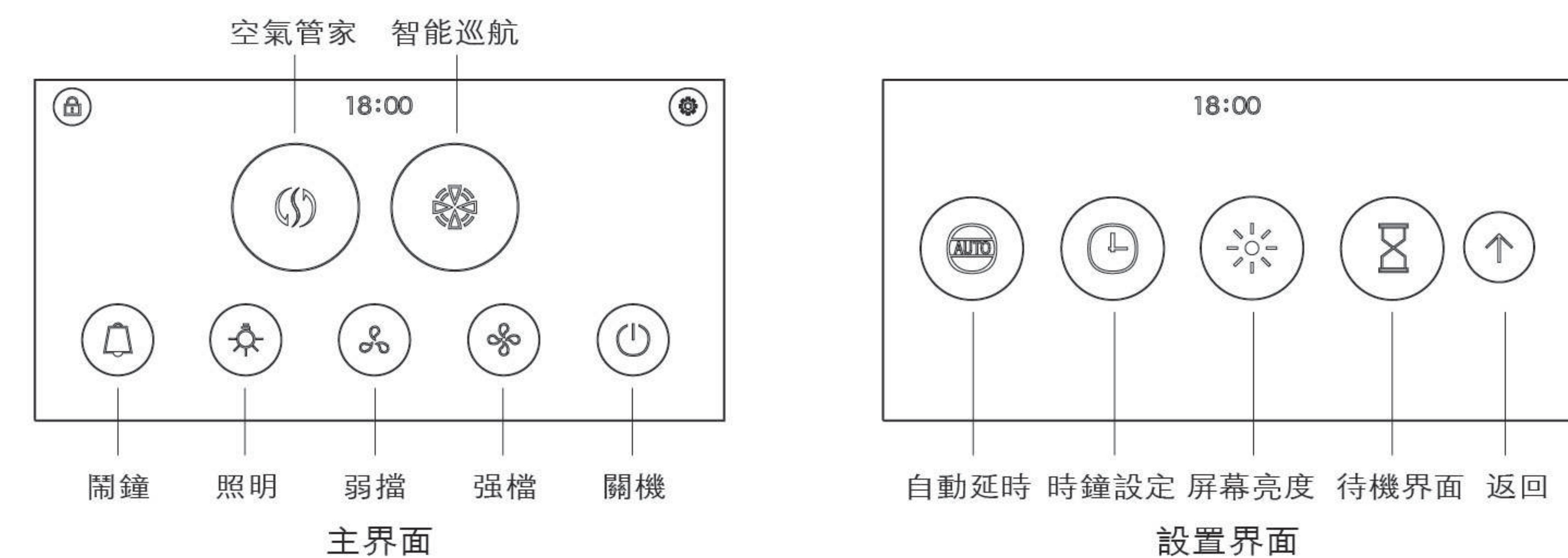
4) 強/弱檔鍵

輕觸一下，風機啓動， 鍵指示燈全亮，吸油煙機在強檔運行，再輕觸一下， 鍵指示燈半亮，吸油煙機在弱檔運行，再輕觸一次，風機關閉。

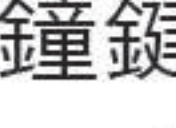

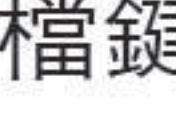
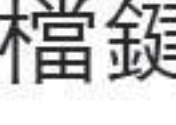
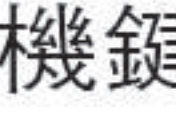

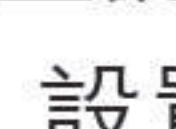
5) 油煙機中間光帶強、中、弱三種亮度代表油煙機的三種運行模式。

EMS9017

1. 操作界面說明



2. 調試及功能說明

- 1) 鬧鐘鍵
按  鬧鐘鍵，進入鬧鐘設置界面，可以設置倒計時鬧鐘，時間到了會出現提示音，提醒2分鐘（觸摸任意按鍵即可停止提醒），2分鐘后自動停止。
- 2) 照明鍵
按  照明鍵，照明燈打開；再按一次，照明燈關閉。
- 3) 弱檔鍵
按  弱檔鍵，風機弱檔運行；再按關閉。
- 4) 強檔鍵
按  強檔鍵，風機強檔運行；再按關閉。
- 5) 關機鍵
按  關機鍵，執行關機功能（如有設置延時關機時間，則執行延時關機功能），立刻關閉所有功能，進入黑屏狀態或者時鐘屏保界面。再次點擊屏幕任意位置，進入主界面。
- 6) 鎖屏鍵
按  鎖屏鍵，進入鎖屏界面，滑動解鎖。
- 7) 設置鍵
按  設置鍵，進入設置界面。
 - 7.1 按自動延時，能上下滾動設置0-30分鐘的延時關機時間。
 - 7.2 按時鐘設定，能上下滾動設置界面最上端的時間和屏保時鐘（如有設置顯示屏保）。
 - 7.3 按屏幕亮度，能設置自己喜歡的屏幕背光亮度。
 - 7.4 按待機界面，能設置是否顯示屏保時鐘界面。
 - 7.5 按返回箭頭，返回主界面。

8) 空氣管家鍵

按 空氣管家鍵，進入空氣管家界面，吸油煙機進入智能檢測空氣質量狀態。

8.1 空氣質量好，圖標顯示綠色，電機不運行；

8.2 空氣質量一般，圖標顯示淺紅色，電機弱檔運行；

8.3 空氣質量差，圖標顯示紅色，電機強檔運行。

9) 智能巡航鍵

按 智能巡航鍵，吸油煙機進入智能巡航模式。

9.1 當檢測到煙道阻力大時，油煙機直接最高檔運行。當檢測到阻力小時，油煙機回到強檔運行。

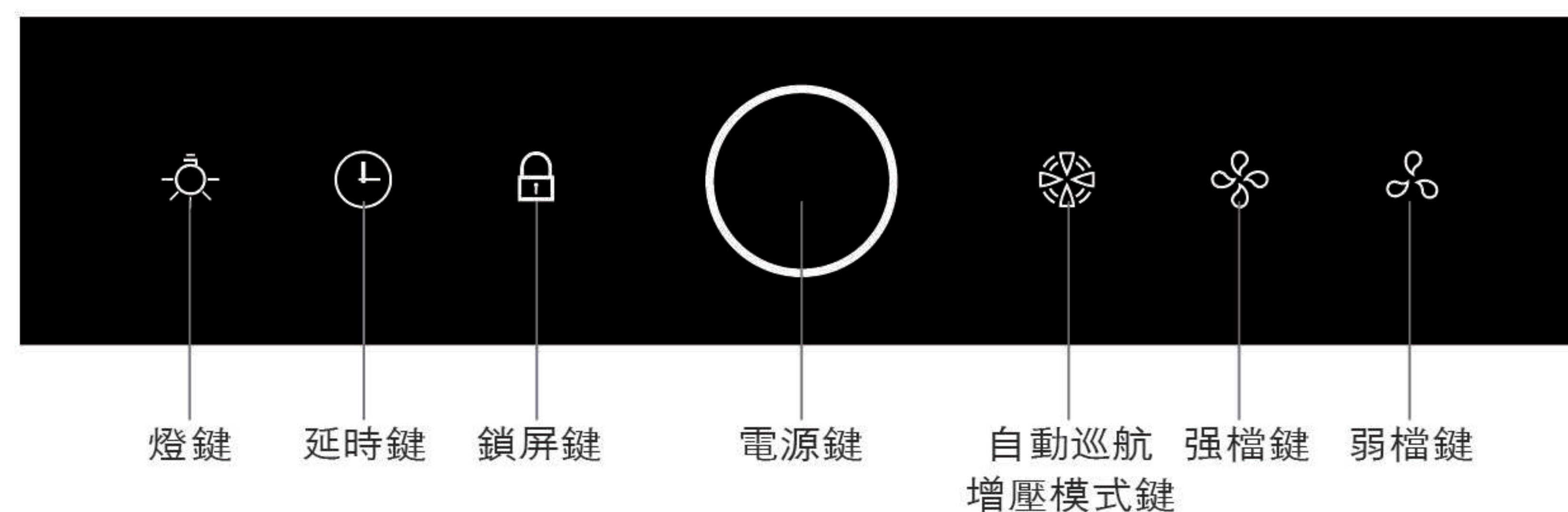
9.2 當檢測到菜下油鍋聲音時，油煙機直接最高檔運行。當檢測到無下油鍋聲音時，油煙機回到強檔運行。

10) 返回鍵

按 返回鍵，返回上個界面。

EMS9018

1. 操作界面說明



2. 調試及功能說明

1. 電源鍵

關機狀態下按一次 ○，進入待機狀態，2分鐘內無其它按鍵操作，自動關機；

油煙機在工作狀態/待機狀態下按一次 ○，所有功能關閉；

以下功能鍵皆在電源鍵開啓情況下有效。

2. 燈鍵

無照明時，按 燈鍵 一次，照明燈打開，再按 燈鍵 一次，照明燈關閉。

3. 延時鍵

輕觸一下，執行延時關機功能，2分鐘后所有功能關閉。如需取消延時，按任意鍵即可。

4. 鎖屏鍵

在工作狀態、待機狀態下長按 鎖屏鍵 3秒，則進入鎖屏功能，鎖屏鍵指示燈閃爍，油煙機保持原先的狀態，所有按鍵無效，再次長按 鎖屏鍵 3秒解鎖。

5. 自動巡航增壓模式鍵

油煙機在待機模式下或在運行的模式下，輕觸一下 自動巡航增壓模式鍵 指示燈全亮，吸油煙機進入增壓模式運行5秒，然后回到常態模式強檔運行，并自動檢測煙道阻力，當煙道阻力大于設定值時，風機自動跳到增壓模式運行，如果煙道阻力恢復正常，則30秒后吸油煙機跳回常態模式強檔運行。

如果要關閉此功能，按 自動巡航增壓模式鍵 即可。

6. 強檔鍵

輕觸一下，風機啓動，強檔鍵指示燈點亮，吸油煙機在強檔運行，再輕觸一下，風機關閉。

7. 弱檔鍵

輕觸一下，風機啓動，弱檔鍵指示燈點亮，吸油煙機在弱檔運行，再輕觸一下，風機關閉。

清潔、保養和維護

⚠ 警告：● 如果不按說明書規定的方法清洗，吸油煙機有起火的危險。

● 當清潔、維修吸油煙機前，務必先拔掉電源線插頭，以免觸電。

● 清潔時應防止電機、各控制鍵等電氣部件進水。

● 當風機在使用時，禁止將手放入風機運轉區域。

● 切勿使用汽油、酸性物質、苯、溶劑或任何其他化學藥劑清洗吸油煙機。

爲了更加舒適的使用，請經常對油煙機表面、蝶翼板、進風口罩及油杯進行清潔。

經常清潔油煙機表面、蝶翼板、進風口罩及油杯將有利于吸油煙機的正常使用的。

清潔吸油煙機表面

1. 只用中性皂或者中性洗滌劑進行清潔，清潔后用柔軟的布擦干機體表面。

2. 如果吸油煙機表面看上去有污點，使用中性的清潔劑清潔污點，并避免清潔劑接觸各控制鍵。

把清潔劑滴至污點之處并短暫停留(清潔劑不要在機體上停留過長，那樣將造成損害)，使用柔軟的抹布將污點擦去；用微濕的毛巾將清潔劑除去，然后再用柔軟的干毛巾將機體擦干。

3. 不要讓污漬在吸油煙機表面停留時間過長。

4. 如不小心將含鹽的溶液、消毒劑、漂白粉以及其他清潔劑沾到不銹鋼面板(這些溶劑中大部分含有有害的化學成分)，應立即用濕布擦拭，然后用干布擦干。

其他：本機器瞬時氣味降低度爲83% (實測值與明示值的允許差不超過明示值的-10%)。

清洗油杯、蝶翼板及進風口罩

1. 用雙手托住油杯兩端，保持油杯水平，向油煙機前方慢慢移出，取下油杯，倒去積油 (圖5)；

2. 首先，雙手抓住蝶翼板前沿，向下翻轉，使蝶翼板卡扣脫離，同時再向下翻轉一定角度，取下蝶翼板 (圖6)，然后用左手托住進風口罩，右手用十字螺絲刀打開固定進風口罩的兩顆螺釘 (圖7)，取下進風口罩 (圖8)，將油杯、蝶翼板及進風口罩放入加有中性洗滌劑的溫水中浸泡，用軟刷將其清洗干淨；

3. 清潔完畢擦干后，再用螺釘將進風口罩固定在原來位置，裝上蝶翼板、油杯。

★ 建議：每次使用吸油煙機后，請擦拭吸油煙機外表面一次 (包括蝶翼板外表面)；

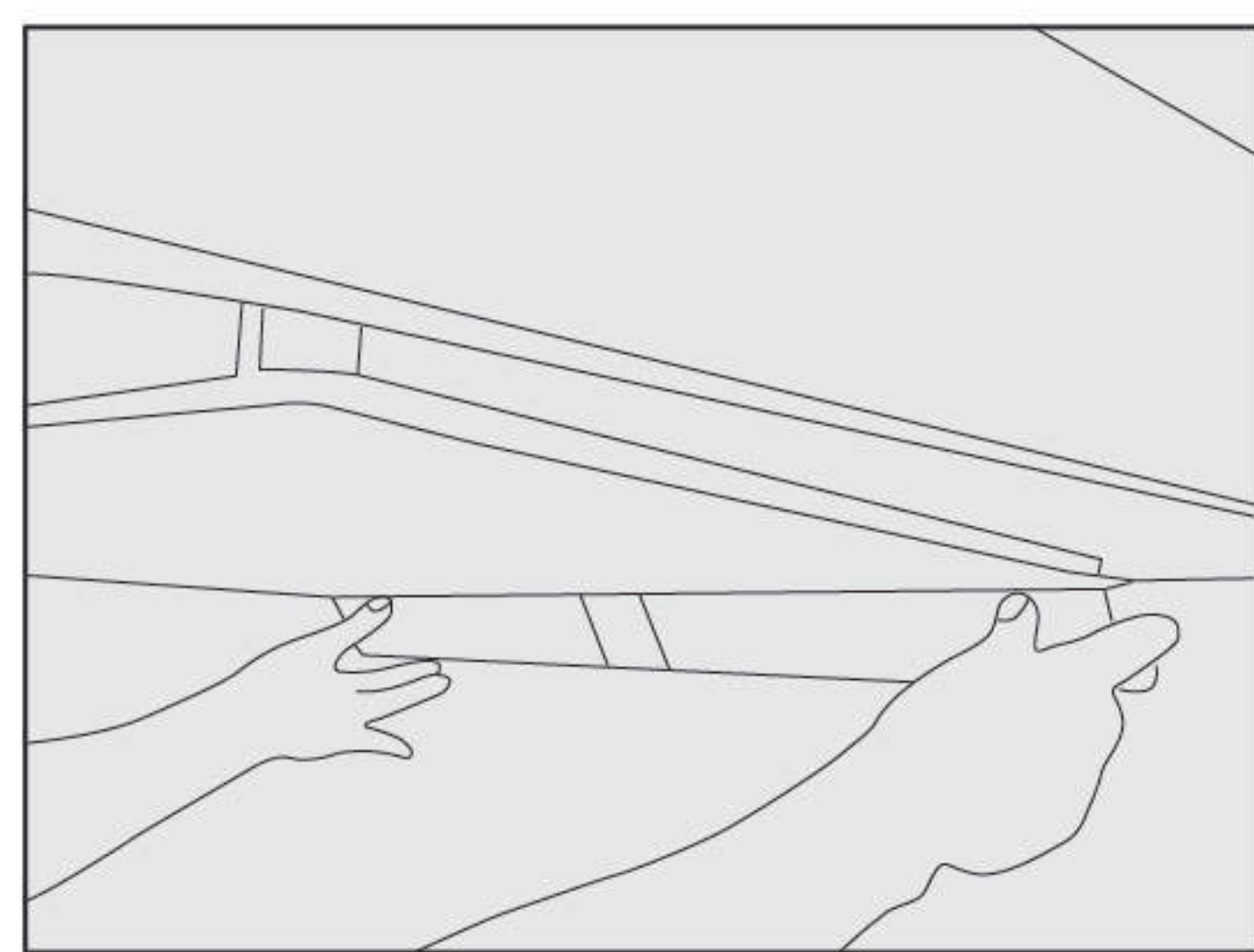
每三個月清洗蝶翼板一次；

每十二個月清洗葉輪一次 (此項僅限專業人員清洗)。

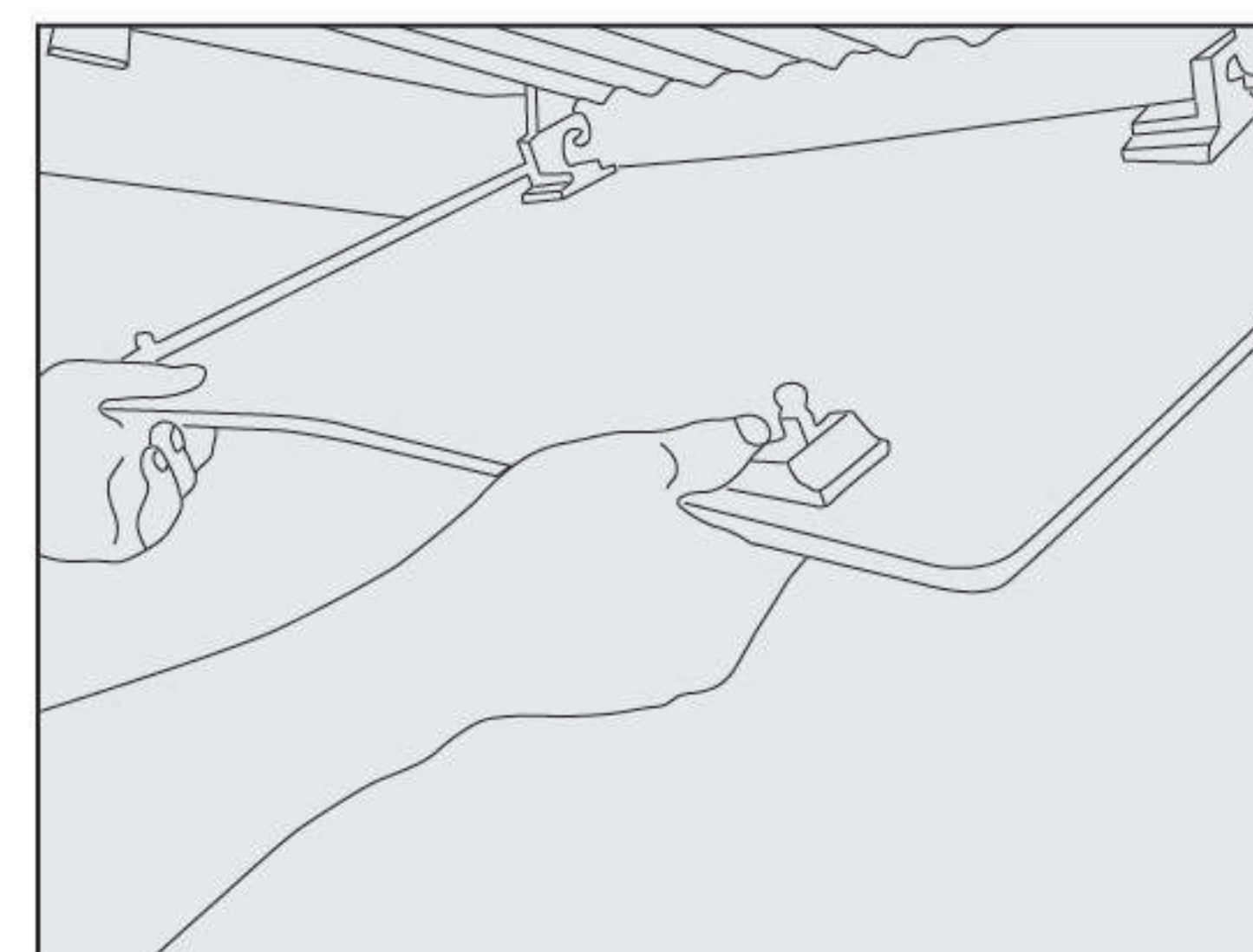
整機拆卸6步

1. 用雙手托住油杯兩端，保持油杯水平，向油煙機前方慢慢移出，取下油杯，倒去積油（圖5）
2. 首先，雙手抓住蝶翼板前沿，向下翻轉，使蝶翼板卡扣脫離，同時再向下翻轉一定角度，取下蝶翼板（圖6），然后用左手托住進風口罩，右手用十字螺絲刀打開固定進風口罩的兩顆螺釘（圖7），取下進風口罩（圖8）；
3. 取下風機外罩及裝飾罩；（圖9）
4. 擰開風機蓋螺釘，拆下風機蓋；（圖10）
5. 擰開進風口圈固定螺釘，取下進風口圈；（圖11）
6. 順時針旋下鎖緊螺母，取下葉輪；（圖12）

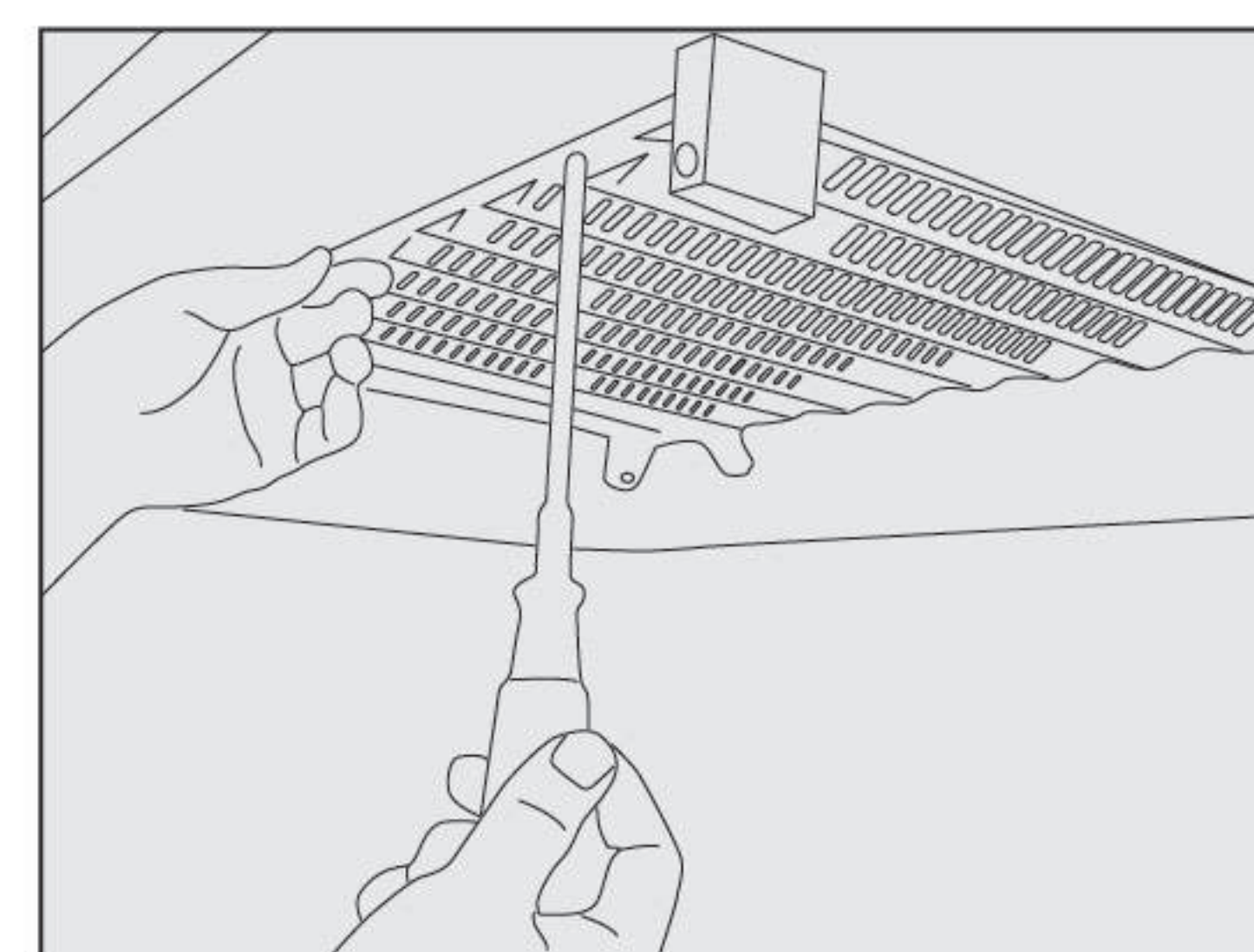
⚠ **警告：** 整機拆卸應由專業人員進行，拆卸之前請務必拔掉電源插頭。



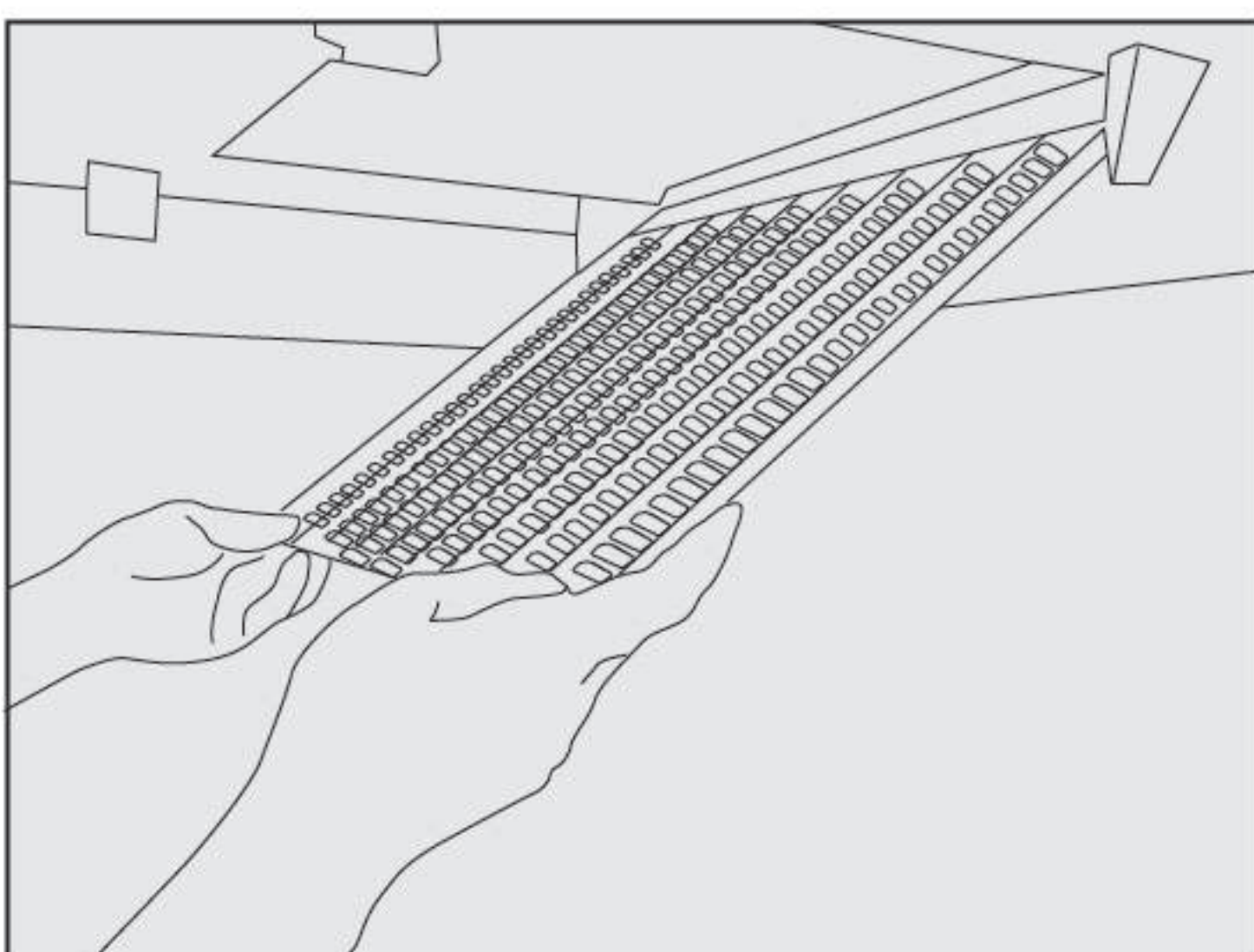
(圖5)



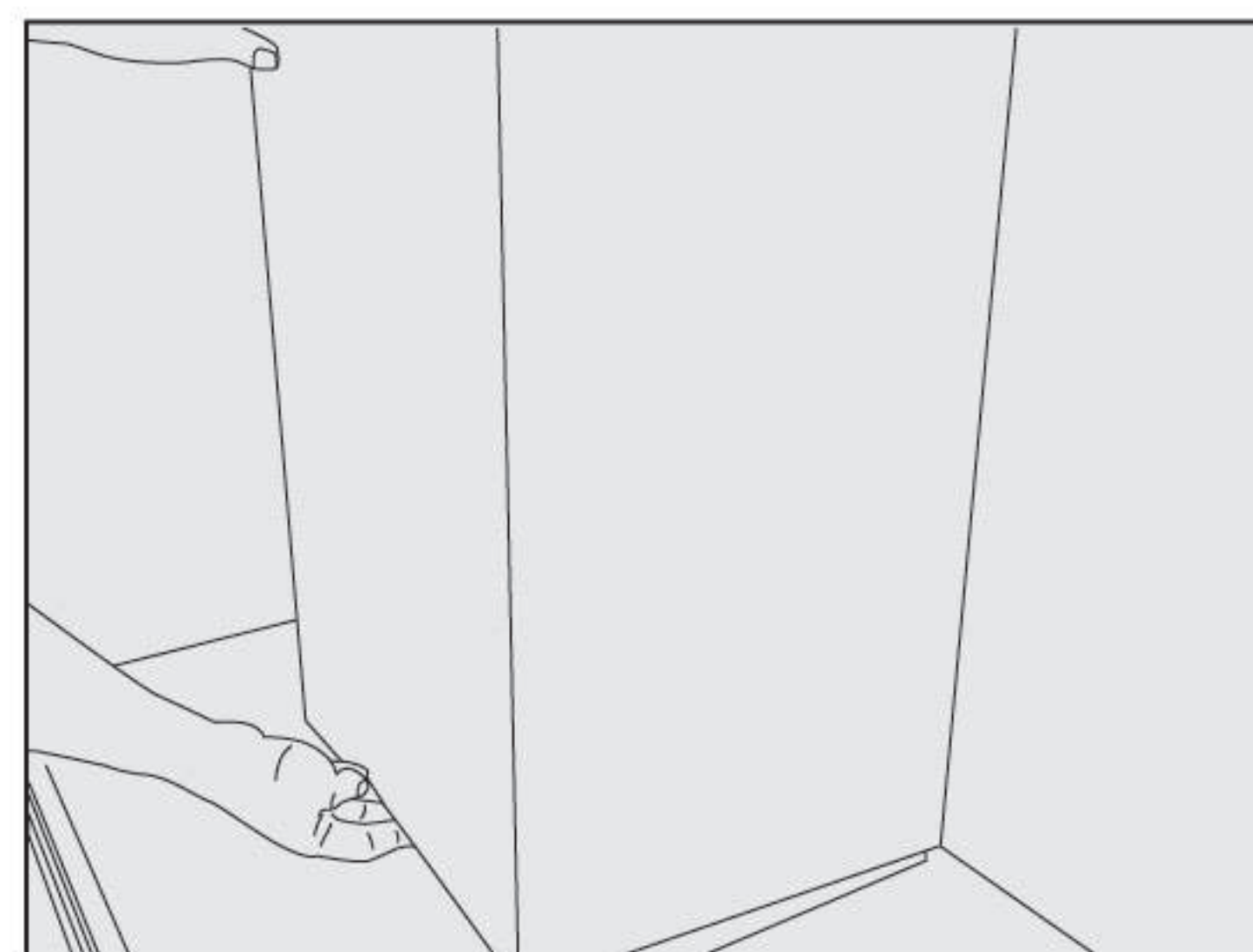
(圖6)



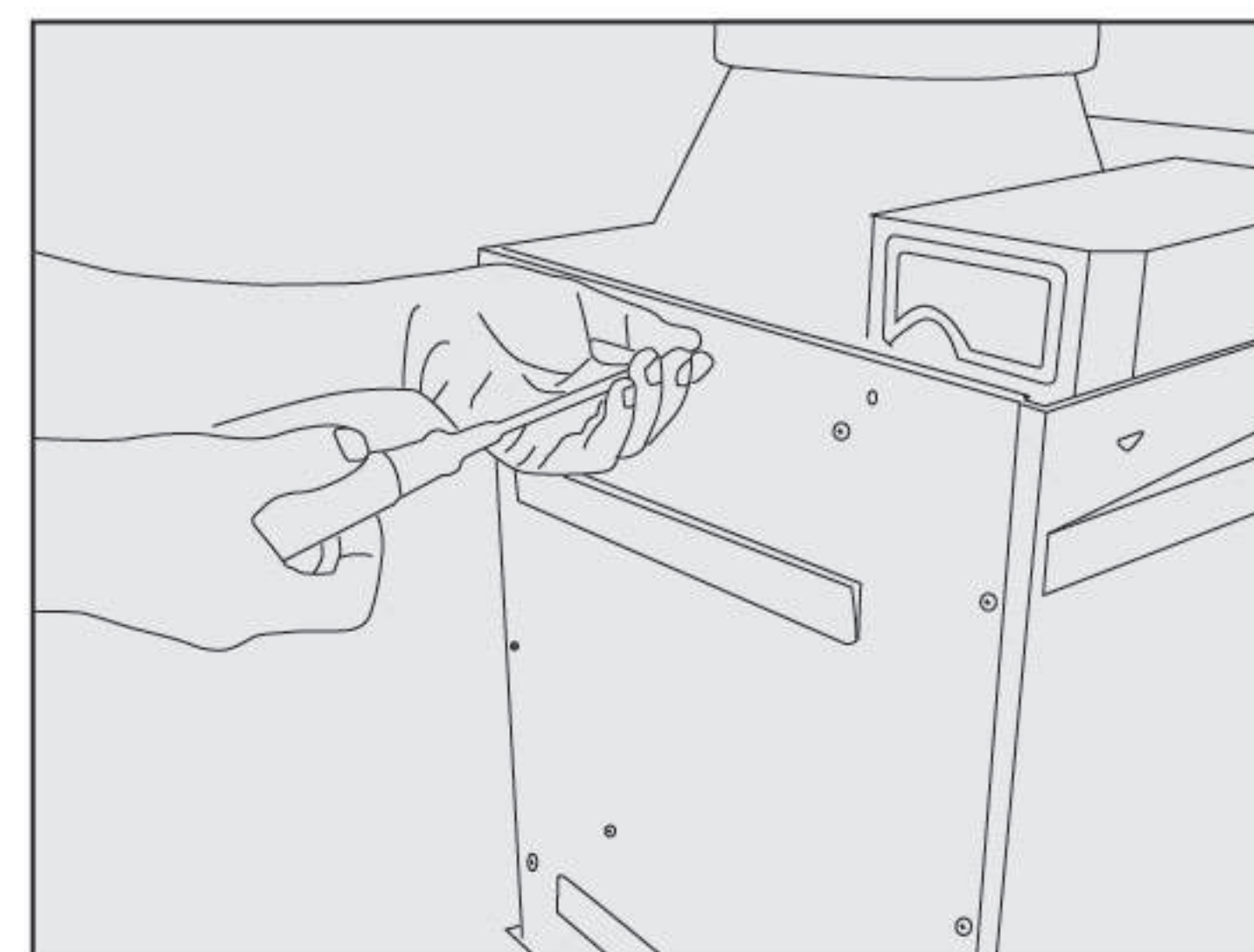
(圖7)



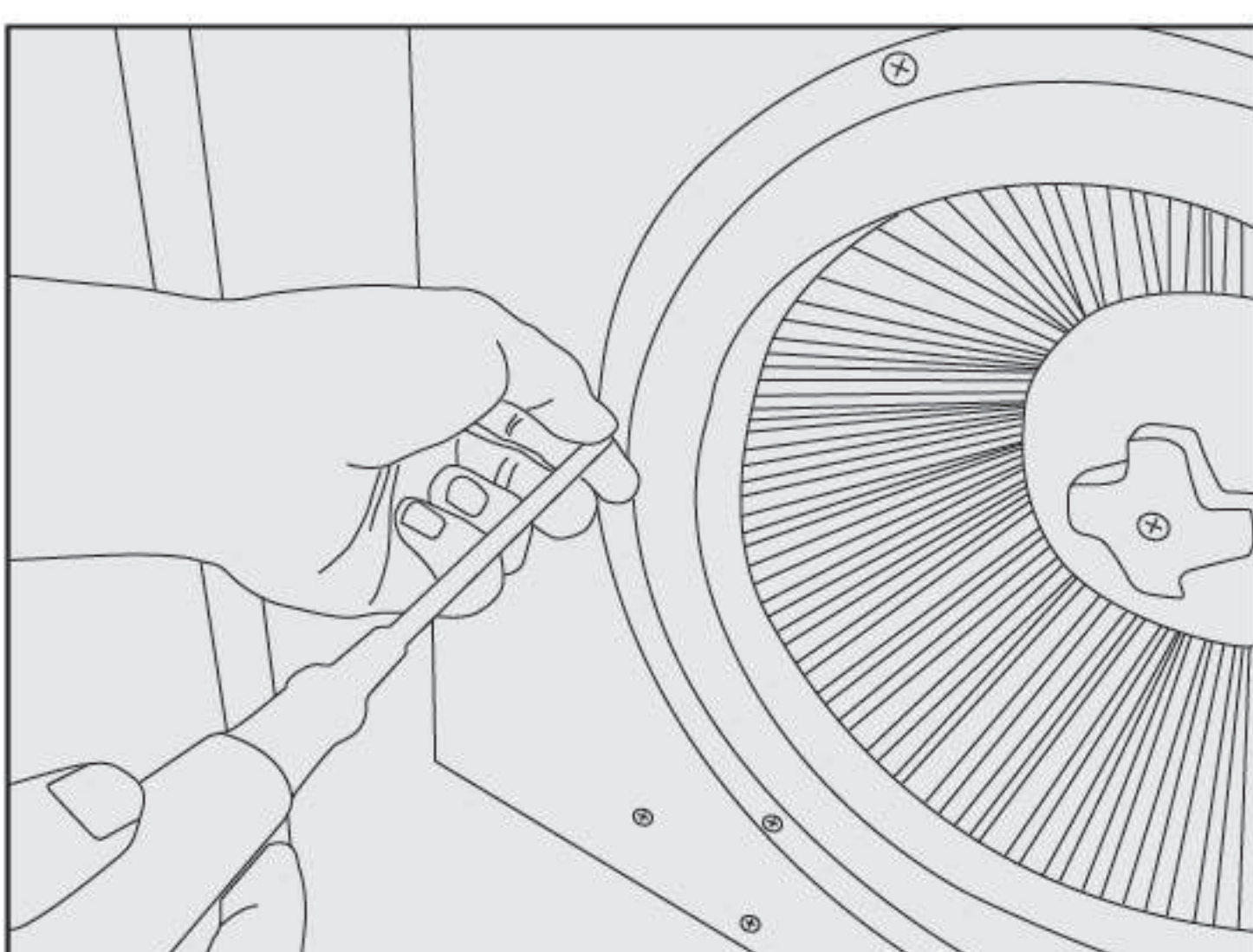
(圖8)



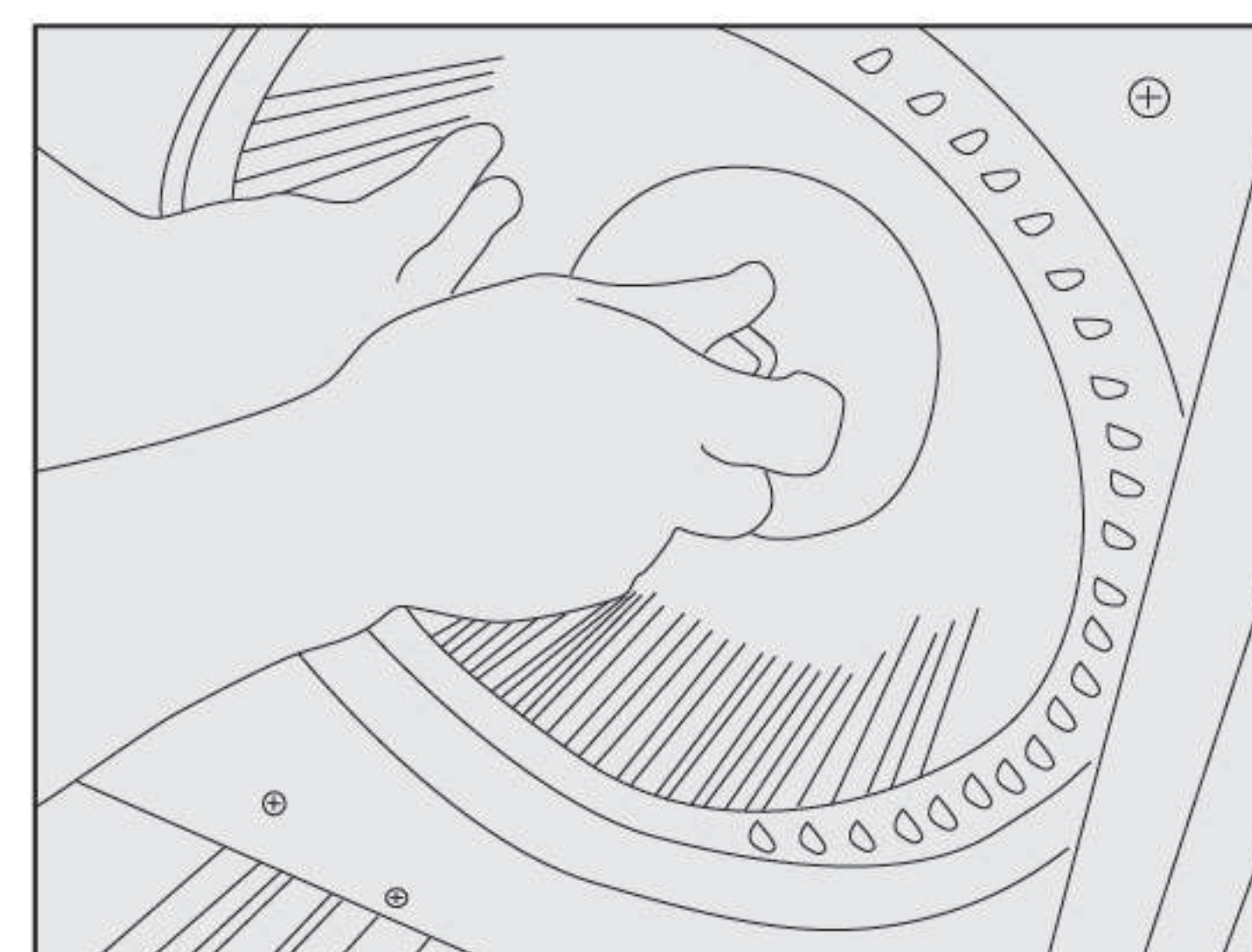
(圖9)



(圖10)



(圖11)



(圖12)

常見故障的識別與處理

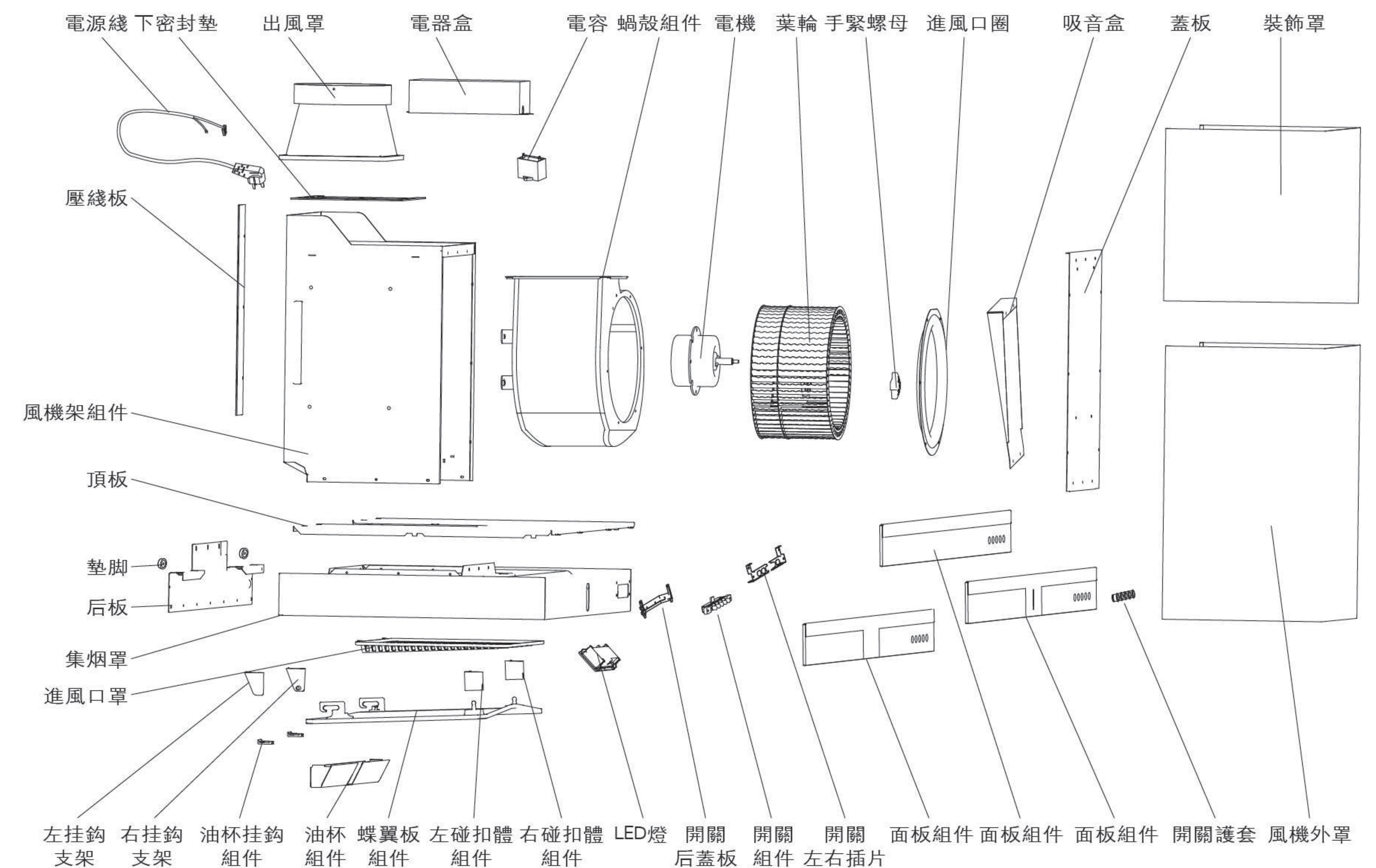
如果您在使用中發現異常狀況，請停止使用，拔去電源插頭，檢查以下內容：

| 故障現象 | 可能原因 | 檢修方法 |
|--------------------|---------------------|-----------------------------|
| 按開關，吸油煙機不工作，LED燈不亮 | 未接通電源 | 檢查電源插頭是否插好 |
| | | 檢查插座是否有120V交流電 |
| 電機轉動但LED燈不亮 | LED燈損壞 | 由售后服務人員更換LED燈 |
| 有機械振動噪聲 | 螺釘松動 | 檢查吸油煙機表面螺釘是否擰緊 |
| 吸力不強 | 吸油煙機與電面的安裝距離太大 | 降低吸油煙機安裝高度 (本項必須由專業人員進行) |
| | 吸油煙機周圍環境門窗通風太多，對流太大 | 關閉部分門窗 |
| | 出風管長期未清洗 | 更換出風管(本項必須由專業人員進行) |
| | 止逆閥粘住(未完全打開) | 清洗出風罩或更換出風罩 |
| 噪聲太大 | 出風管表面凹陷變形 | 重新安裝出風管(本項必須由專業人員進行) |

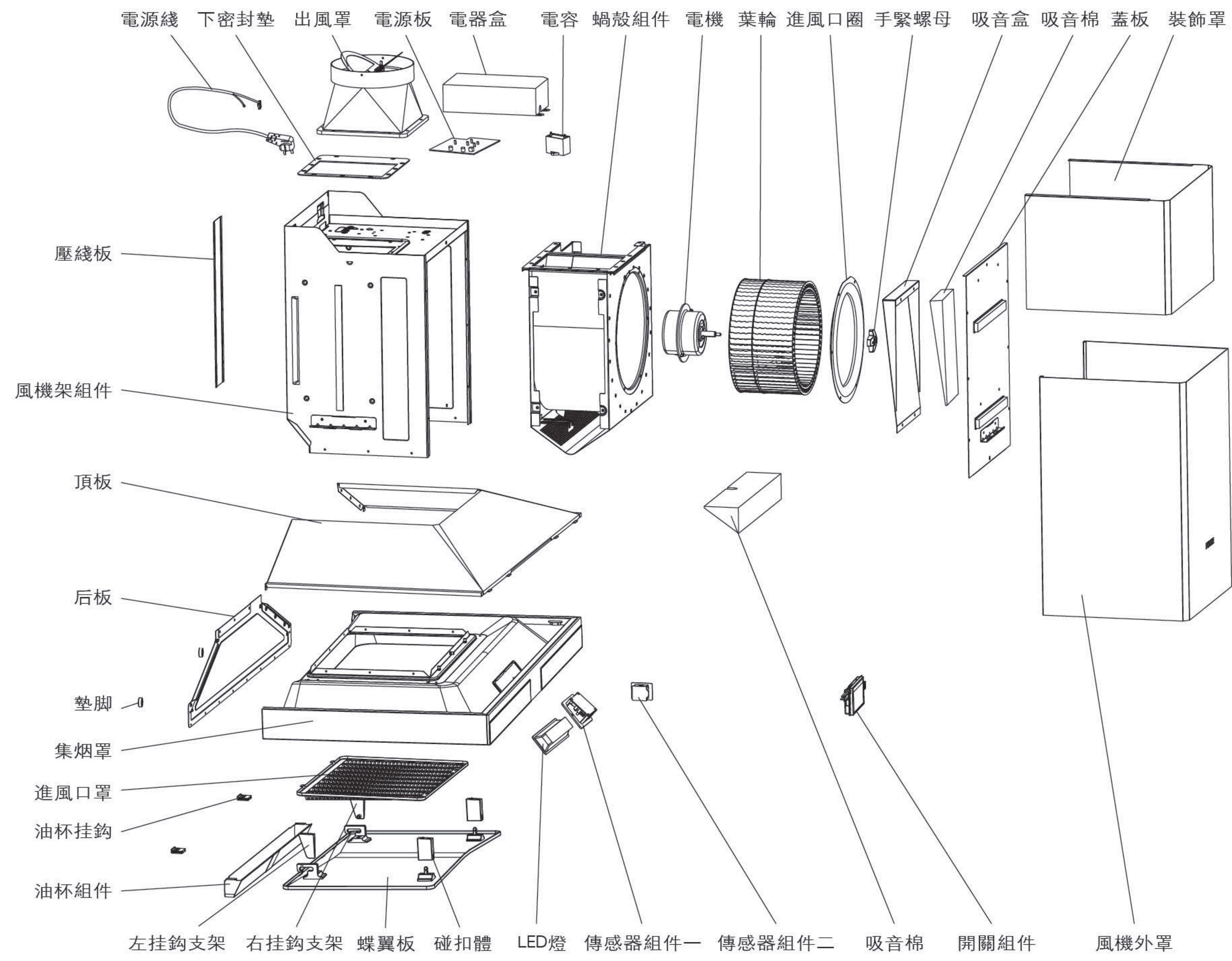
- ⚠ **注意：** 1. 更換LED燈：由售后服務人員進行維修；
2. 上述故障排除后，吸油煙機仍不能正常工作，請與本公司當地售后服務中心聯繫維修。

部件名稱圖

EMS9016



EMS9017



EMS9018

